



Krack Commercial Price List 2008

Released: 01/02/2008

Revised: 10/09/2008

Description: Prices for HTST condensing units changes from 6% to 8%.

Added EC motors

Micro Channel Condenser Added

ACM discontinued

Levitor Painted Housing added

Added MX Options

Added More MX Models

Added More MX control prices, fixed painted housing prices, removed gravity dampers and hinged fan panels

Added EC Motors for MX, Levitor, and FC

If you have any questions or comments, please contact us

email:

adam_honhera@irco.com

mike_eppes@irco.com

Krack Corporation

401 S. Rohlwing Road

Addison, IL 60101

(630) 629-7500

REACH IN UNIT COOLERS

Slim-Topper

MODEL	LIST PRICE	CAPACITY (BTUH) @ 10° TD	AIR FLOW (CFM)	DIMENSIONS (IN)			SHIPPING WGT. (LBS)
				L	W	H	
ST-91	\$400	900	180	17.00	13.75	4.50	9
ST-111	\$440	1,100	165	17.00	13.75	4.50	10
ST-141	\$550	1,400	185	22.00	13.75	4.50	12
ST-181	\$610	1,800	235	26.00	13.75	4.50	13
ST-231	\$770	2,300	340	34.50	13.75	4.50	19
ST-276	\$850	2,750	360	34.50	13.75	4.50	20
ST-331	\$910	3,300	430	34.50	13.75	5.50	22
ST-431	\$1,270	4,300	500	43.50	13.75	5.50	29
ST-531	\$1,570	5,300	620	51.50	13.75	5.50	33

Slim-Topper Electric Defrost

MODEL	LIST PRICE 115V (0)*	LIST PRICE 230V (1)*	CAPACITY (BTUH) @ 10° TD	AIR FLOW (CFM)	DIMENSIONS (IN)			SHIPPING WGT. (LBS)
					L	W	H	
STE-13()	\$640	N/A	1,110	190	20.125	17.25	4.75	16
STE-15()	\$740	N/A	1,280	250	20.125	17.25	5.75	17
STE-17()	\$800	N/A	1,450	210	20.125	17.25	5.75	19
STE-24()	\$910	\$1,200	2,040	280	25.125	17.25	5.75	21
STE-34()	\$1,180	\$1,320	2,890	420	35.125	17.25	5.75	34
STE-48()	\$1,520	\$1,590	4,080	560	45.125	17.25	5.75	38
STE-52()	\$1,710	\$1,800	4,420	600	45.125	17.25	6.75	40

* Voltage code - change last character of model # (0) = 115v, (1) = 230v

Mullion Cooler

MODEL	LIST PRICE	CAPACITY (BTU) @ 10° TD	AIR FLOW (CFM)	DIMENSIONS (IN)			SHIPPING WGT. (LBS)
				L	W	H	
MU-135	\$670	1,350	210	15.625	5.5	18.75	14
MU-165	\$790	1,650	180	15.625	5.5	18.75	16
MU-235	\$950	2,350	270	22.000	5.5	18.75	22

Space Saver

MODEL	LIST PRICE	CAPACITY (BTU) @ 10° TD	AIR FLOW (CFM)	DIMENSIONS (IN)			SHIPPING WGT. (LBS)
				L	W	H	
SX-70	\$370	700	160	14.375	7.875	6.875	6
SX-95	\$390	950	150	14.375	7.875	6.875	7
SX-110	\$450	1,100	250	17.375	7.875	7.875	8
SX-140	\$500	1,400	240	17.375	7.875	7.875	9

Dual Flow

MODEL	LIST PRICE	CAPACITY (BTU) @ 10° TD	AIR FLOW (CFM)	DIMENSIONS (IN)			SHIPPING WGT. (LBS)
				L	W	H	
DF-70	\$400	700	100	15.5	9.875	4.50	7
DF-90	\$450	900	150	19.5	14.5	4.75	11
DF-110	\$460	1,100	140	19.5	14.5	4.75	12
DF-130	\$530	1,300	220	19.5	14.5	4.75	12
DF-150	\$620	1,500	185	19.5	14.5	4.75	12
DF-180	\$670	1,800	210	19.5	14.5	4.75	13
DF-230	\$780	2,300	310	22.5	17.5	5.75	15
DF-300	\$940	3,000	410	22.5	17.5	5.75	16

Dual Flow

MODEL	LIST PRICE	CAPACITY (BTU) @ 10° TD	AIR FLOW (CFM)	DIMENSIONS (IN)			SHIPPING WGT. (LBS)
				L	W	H	
DL-60	\$770	600	165	12.75	9.75	6.75	7
DL-90	\$880	900	340	12.75	9.75	10	8
DL-120	\$1,040	1,200	390	16.25	12.25	10	10
DL-220	\$1,150	2,200	400	16.25	12.25	11.5	14

DUAL DISCHARGE - LOW HITE (LH MODELS)

AIR DEFROST MEDIUM TEMPERATURE STANDARD VELOCITY

MODEL	LIST PRICE	CAPACITY (BTUH)		AIR FLOW (CFM)	DIMENSIONS (IN)			SHIPPING WGT. (LBS)
		@ 10° TD			L	W	H	
LH16A-47	\$1,220	4,700		650	32.875	26.063	9.250	42
LH26A-94	\$1,800	9,400		1,300	54.875	26.063	9.250	70
LH36A-140	\$2,440	14,000		1,950	76.875	26.063	9.250	123
LH46A-187	\$2,990	18,700		2,600	98.875	26.063	9.250	164
LH14A-36	\$1,170	3,600		683	32.875	26.063	9.250	38
LH24A-73	\$1,620	7,300		1,365	54.875	26.063	9.250	64
LH34A-109	\$1,980	10,900		2,048	76.875	26.063	9.250	105
LH44A-145	\$2,730	14,500		2,730	98.875	26.063	9.250	146

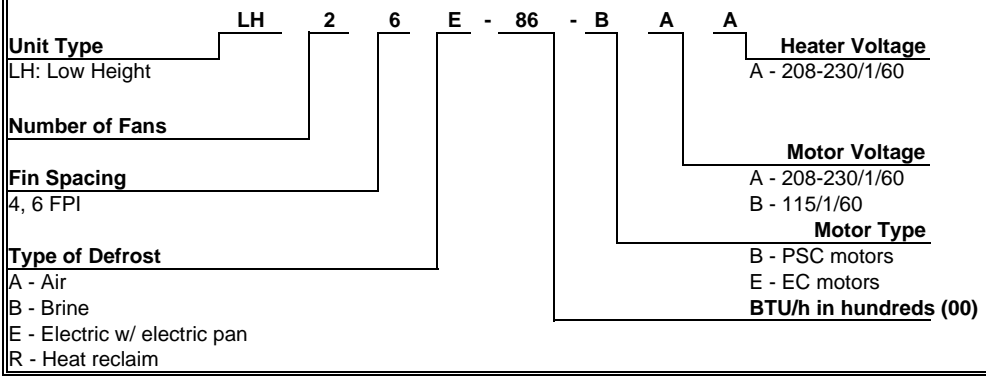
ELECTRIC DEFROST LOW TEMPERATURE STANDARD VELOCITY

MODEL	LIST PRICE	CAPACITY (BTUH)		AIR FLOW (CFM)	DIMENSIONS (IN)			SHIPPING WGT. (LBS)
		@ 10° TD			L	W	H	
LH16E-43	\$1,670	4,300	4,700	650	32.875	26.063	9.250	44
LH26E-86	\$2,330	8,600	9,400	1,300	54.875	26.063	9.250	73
LH36E-129	\$2,850	12,900	14,000	1,950	76.875	26.063	9.250	127
LH46E-171	\$3,470	17,100	18,700	2,600	98.875	26.063	9.250	169
LH14E-33	\$1,540	3,600	3,600	683	32.875	26.063	9.250	40
LH24E-67	\$2,140	7,300	7,300	1,365	54.875	26.063	9.250	67
LH34E-100	\$2,760	10,900	10,900	2,048	76.875	26.063	9.250	109
LH44E-132	\$3,020	13,200	14,500	2,730	98.875	26.063	9.250	150

MODEL OPTIONS

No. of Fans	Painted Housing	SS Non Ins		
		SS Housing & Non Ins DP	Drain Pan (only)	EC Motor
1	\$280	\$950	\$300	260
2	\$550	\$1,340	\$370	520
3	\$820	\$1,780	\$480	780
4	\$1,090	\$2,150	\$530	1040

LH Evaporators Model Key



GH & GL MODELS

AIR DEFROST MEDIUM TEMPERATURE LOW VELOCITY

GENTLE AIR - 18" HIGH SILHOUETTE

MODEL	LIST PRICE 115V/230V*	CAPACITY (BTUH) @ 10° TD	AIR FLOW (CFM)	DIMENSIONS (IN)			SHIPPING WGT. (LBS)
				L	W	H	
GH16A-60	\$2,050	6,000	900	31.75	28.75	18.25	130
GH26A-130	\$3,100	13,000	1,800	49.75	28.75	18.25	180
GH36A-198	\$4,370	19,800	2,700	67.75	28.75	18.25	240
GH46A-270	\$5,200	27,000	3,600	85.75	28.75	18.25	320
GH56A-340	\$6,100	34,000	4,500	103.75	28.75	18.25	370
GH66A-410	\$6,990	41,000	5,400	121.75	28.75	18.25	420
GH14A-50	\$1,910	5,000	940	31.75	28.75	18.25	120
GH24A-100	\$3,040	10,000	1,880	49.75	28.75	18.25	170
GH34A-150	\$4,280	15,000	2,820	67.75	28.75	18.25	230
GH44A-200	\$5,100	20,000	3,760	85.75	28.75	18.25	310
GH54A-250	\$6,030	25,000	4,700	103.75	28.75	18.25	360
GH64A-300	\$6,910	30,000	5,640	121.75	28.75	18.25	410

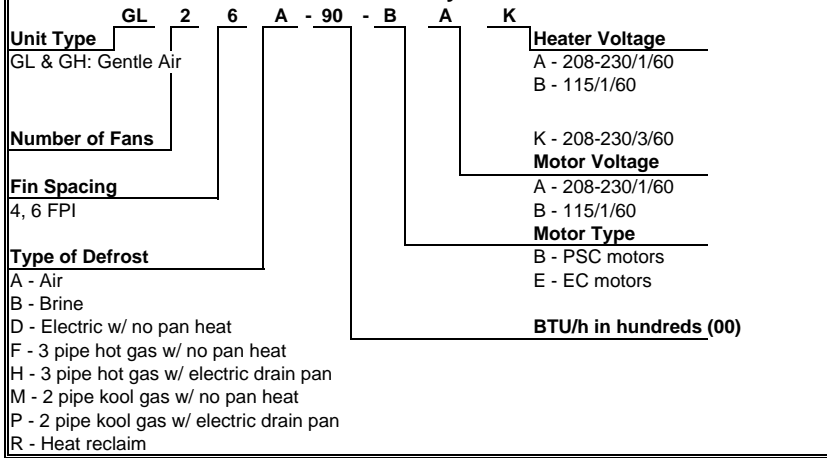
GENTLE AIR - 12" LOW SILHOUETTE

MODEL	LIST PRICE 115V/230V*	CAPACITY (BTUH) @ 10° TD	AIR FLOW (CFM)	DIMENSIONS (IN)			SHIPPING WGT. (LBS)
				L	W	H	
GL16A-45	\$1,720	4,500	600	31.75	28.75	12.25	100
GL26A-90	\$2,600	9,000	1,200	49.75	28.75	12.25	140
GL36A-135	\$3,430	13,500	1,800	67.75	28.75	12.25	190
GL46A-180	\$4,400	18,000	2,400	85.75	28.75	12.25	250
GL56A-225	\$5,010	22,500	3,000	103.75	28.75	12.25	290
GL66A-268	\$5,410	26,800	3,600	121.75	28.75	12.25	340
GL14A-35	\$1,710	3,500	630	31.75	28.75	12.25	90
GL24A-70	\$2,560	7,000	1,260	49.75	28.75	12.25	130
GL34A-105	\$3,390	10,500	1,890	67.75	28.75	12.25	180
GL44A-140	\$4,350	14,000	2,520	85.75	28.75	12.25	240
GL54A-175	\$4,940	17,500	3,150	103.75	28.75	12.25	280
GL64A-210	\$5,220	21,000	3,780	121.75	28.75	12.25	330

MODEL OPTIONS

No. of Fans	Reverse Air Flow	Air Filters	Insulated Drain Pan	Painted Housing	SS		SS Housing & Ins DP	SS Non Ins Drain Pan	SS Housing & Ins DP	SS Ins Drain Pan	EC Motor
					Housing & Non Ins DP	Ins Drain Pan					
1	\$80	\$60	\$390	\$300	\$1,320	\$470	\$2,200	\$1,350	\$260		
2	\$160	\$120	\$450	\$590	\$1,730	\$580	\$2,750	\$1,600	\$520		
3	\$240	\$180	\$520	\$870	\$2,180	\$710	\$3,210	\$1,730	\$780		
4	\$320	\$240	\$600	\$1,160	\$2,620	\$840	\$3,920	\$2,140	\$1,040		
5	\$400	\$300	\$770	\$1,450	\$3,320	\$1,210	\$5,150	\$3,050	\$1,300		
6	\$480	\$360	\$1,110	\$1,730	\$3,740	\$1,340	\$5,710	\$3,300	\$1,560		

GL/GH Model Key



GH & GL MODELS

ELECTRIC DEFROST MEDIUM TEMPERATURE LOW VELOCITY

GENTLE AIR - 18" HIGH SILHOUETTE

MODEL	LIST PRICE	CAPACITY (BTUH) @ 10° TD	AIR FLOW (CFM)	DIMENSIONS (IN)			SHIPPING WGT. (LBS)
				L	W	H	
GH16D-60	\$2,270	6,000	900	31.75	28.75	18.25	130
GH26D-130	\$3,630	13,000	1,800	49.75	28.75	18.25	180
GH36D-198	\$5,050	19,800	2,700	67.75	28.75	18.25	240
GH46D-270	\$5,910	27,000	3,600	85.75	28.75	18.25	320
GH56D-340	\$6,930	34,000	4,500	103.75	28.75	18.25	370
GH66D-410	\$7,940	41,000	5,400	121.75	28.75	18.25	420
GH14D-50	\$2,180	5,000	940	31.75	28.75	18.25	120
GH24D-100	\$3,530	10,000	1,880	49.75	28.75	18.25	170
GH34D-150	\$4,870	15,000	2,820	67.75	28.75	18.25	230
GH44D-200	\$5,800	20,000	3,760	85.75	28.75	18.25	310
GH54D-250	\$6,820	25,000	4,700	103.75	28.75	18.25	360
GH64D-300	\$7,840	30,000	5,640	121.75	28.75	18.25	410

NOTE: Not For Use Below +28 F Room Temperature

GENTLE AIR - 12" HIGH SILHOUETTE

MODEL	LIST PRICE	CAPACITY (BTUH) @ 10° TD	AIR FLOW (CFM)	DIMENSIONS (IN)			SHIPPING WGT. (LBS)
				L	W	H	
GL16D-45	\$1,940	4,500	600	31.75	28.75	12.25	100
GL26D-90	\$2,950	9,000	1,200	49.75	28.75	12.25	140
GL36D-135	\$3,880	13,500	1,800	67.75	28.75	12.25	190
GL46D-180	\$5,000	18,000	2,400	85.75	28.75	12.25	250
GL56D-225	\$5,690	22,500	3,000	103.75	28.75	12.25	290
GL66D-268	\$6,390	26,800	3,600	121.75	28.75	12.25	340
GL14D-35	\$1,810	3,500	630	31.75	28.75	12.25	90
GL24D-70	\$2,780	7,000	1,260	49.75	28.75	12.25	130
GL34D-105	\$3,680	10,500	1,890	67.75	28.75	12.25	180
GL44D-140	\$4,730	14,000	2,520	85.75	28.75	12.25	240
GL54D-175	\$5,380	17,500	3,150	103.75	28.75	12.25	280
GL64D-210	\$6,040	21,000	3,780	121.75	28.75	12.25	330

GAH & GAL MODELS

HOT GAS DEFROST MEDIUM TEMPERATURE LOW VELOCITY

GENTLE AIR - 18" HIGH SILHOUETTE

MODEL	LIST PRICE BY DEFROST TYPE				CAPACITY (BTUH) @ 10° TD	AIR FLOW (CFM)	DIMENSIONS (IN)			SHIPPING WGT. (LBS)
	(P)-KGE	(M)-KG	(H)-HGE	(F)-HG			L	W	H	
GH16()-60	\$2,460	\$2,210	\$2,250	\$2,060	6,000	900	31.75	28.75	18.25	130
GH26()-130	\$3,800	\$3,490	\$3,600	\$3,280	13,000	1,800	49.75	28.75	18.25	180
GH36()-198	\$5,150	\$4,710	\$4,930	\$4,510	19,800	2,700	67.75	28.75	18.25	240
GH46()-270	\$6,070	\$5,560	\$5,860	\$5,350	27,000	3,600	85.75	28.75	18.25	320
GH56()-340	\$7,080	\$6,480	\$6,860	\$6,270	34,000	4,500	103.75	28.75	18.25	370
GH66()-410	\$8,080	\$7,400	\$7,870	\$7,190	41,000	5,400	121.75	28.75	18.25	420
GH14()-50	\$2,370	\$2,190	\$2,170	\$1,980	5,000	940	31.75	28.75	18.25	120
GH24()-100	\$3,700	\$3,410	\$3,490	\$3,200	10,000	1,880	49.75	28.75	18.25	170
GH34()-150	\$5,040	\$4,630	\$4,830	\$4,410	15,000	2,820	67.75	28.75	18.25	230
GH44()-200	\$5,960	\$5,460	\$5,750	\$5,250	20,000	3,760	85.75	28.75	18.25	310
GH54()-250	\$6,860	\$6,390	\$6,770	\$6,170	25,500	4,700	103.75	28.75	18.25	360
GH64()-300	\$7,990	\$7,320	\$7,770	\$7,110	30,000	5,640	121.75	28.75	18.25	410

GENTLE AIR - 12" LOW SILHOUETTE

MODEL	LIST PRICE BY DEFROST TYPE				CAPACITY (BTUH) @ 10° TD	AIR FLOW (CFM)	DIMENSIONS (IN)			SHIPPING WGT. (LBS)
	(P)-KGE	(M)-KG	(H)-HGE	(F)-HG			L	W	H	
GL16()-45	\$2,090	\$1,930	\$1,890	\$1,720	4,500	600	31.75	28.75	12.25	100
GL26()-90	\$3,090	\$2,850	\$2,880	\$2,630	9,000	1,200	49.75	28.75	12.25	140
GL36()-135	\$4,000	\$3,670	\$3,790	\$3,460	13,500	1,800	67.75	28.75	12.25	190
GL46()-180	\$5,070	\$4,660	\$4,860	\$4,450	18,000	2,300	85.75	28.75	12.25	250
GL56()-225	\$5,740	\$5,260	\$5,530	\$5,050	22,500	3,000	103.75	28.75	12.25	290
GL66()-268	\$6,420	\$5,890	\$6,210	\$5,680	26,800	3,600	121.75	28.75	12.25	340
GL14()-35	\$2,050	\$1,880	\$1,840	\$1,680	3,500	630	31.75	28.75	12.25	90
GL24()-70	\$3,040	\$2,780	\$2,880	\$2,580	7,000	1,260	49.75	28.75	12.25	130
GL34()-105	\$3,950	\$3,630	\$3,790	\$3,420	10,500	1,890	67.75	28.75	12.25	180
GL44()-140	\$5,020	\$4,610	\$4,810	\$4,390	14,000	2,520	85.75	28.75	12.25	240
GL54()-175	\$5,680	\$5,210	\$5,460	\$5,000	17,500	3,150	103.75	28.75	12.25	280
GL64()-210	\$6,340	\$5,820	\$6,130	\$5,610	21,000	3,780	121.75	28.75	12.25	330

Available types of defrost

- (H)-HGE 3 Pipe Hot Gas with Electric Pan
- (F)-HG 3 Pipe Hot Gas with no Pan Heat
- (P)-KGE 2 Pipe Kool gas with Electric Pan
- (M)-KG 2 Pipe Kool Gas with no Pan Heat

(F) and (H) do not include defrost termination or fan delay

KR SERIES

AIR DEFROST MEDIUM TEMPERATURE

MODEL	LIST PRICE	CAPACITY (BTUH) @ 10° TD		DIMENSIONS (IN)			SHIPPING WGT. (LBS)
		AIR FLOW (CFM)	AIR FLOW (CFM)	L	W	H	
KR16A-040	\$810	4000	845	29.13	15.32	15.9	55
KR16A-054	\$910	5400	845	29.13	15.32	15.9	60
KR16A-060	\$940	6000	845	29.13	15.32	15.9	60
KR26A-072	\$1,170	7200	1690	29.13	15.32	15.9	90
KR26A-089	\$1,330	8900	1690	47.13	15.32	15.9	100
KR26A-105	\$1,460	10500	1690	47.13	15.32	15.9	100
KR26A-115	\$1,500	11500	1690	47.13	15.32	15.9	100
KR26A-125	\$1,620	12500	1690	47.13	15.32	15.9	100
KR36A-134	\$1,760	13400	2535	65.13	15.32	15.9	120
KR36A-159	\$2,080	15900	2535	65.13	15.32	15.9	140
KR36A-170	\$2,230	17000	2535	65.13	15.32	15.9	140
KR46A-216	\$2,740	21600	3380	83.13	15.32	15.9	180
KR56A-242	\$3,050	24200	4225	101.13	15.32	15.9	220
KR66A-310	\$3,690	31000	5070	119.13	15.32	15.9	265
KR66A-340	\$4,000	34000	5070	119.13	15.32	15.9	265
KR14A-058	\$840	5800	855	29.13	15.32	15.9	60
KR24A-096	\$1,450	9600	1750	47.13	15.32	15.9	90
KR24A-117	\$1,560	11700	1710	47.13	15.32	15.9	100
KR34A-143	\$1,740	14300	2625	65.13	15.32	15.9	125
KR34A-173	\$2,170	17300	2565	65.13	15.32	15.9	140
KR44A-191	\$2,520	19100	3500	83.13	15.32	15.9	165
KR44A-232	\$2,760	23200	3420	83.13	15.32	15.9	180
KR54A-290	\$3,350	29000	4275	101.13	15.32	15.9	225
KR64A-348	\$3,960	34800	5130	119.13	15.32	15.9	265

MODEL OPTIONS

No. of Fans	Reverse Air Flow	Long Throw Adapters	Insulated Drain Pan	Painted Housing	SS		SS Housing & Ins DP	SS Ins Drain Pan	SS LTA	EC Motor
					Housing & DP	Pan (only)				
1	\$80	\$70	\$390	\$280	\$740	\$280	\$960	\$500	\$320	\$260
2	\$160	\$140	\$500	\$550	\$1,020	\$430	\$1,370	\$790	\$640	\$520
3	\$240	\$210	\$610	\$820	\$1,160	\$490	\$1,670	\$990	\$960	\$780
4	\$320	\$280	\$730	\$1,090	\$1,410	\$580	\$1,850	\$1,020	\$1,280	\$1,040
5	\$400	\$350	\$850	\$1,360	\$1,680	\$630	\$2,170	\$1,130	\$1,600	\$1,300
6	\$480	\$420	\$970	\$1,630	\$1,920	\$650	\$2,590	\$1,320	\$1,920	\$1,560

KR Model Key

	KR	2	6	E - 075	- B	A	A
Unit Type KR: Compact Series							Heater Voltage A - 208-230/1/60 B - 115/1/60 H - 460/1/60 K - 208-230/3/60
Number of Fans							Motor Voltage A - 208-230/1/60 B - 115/1/60 H - 460/1/60
Fin Spacing 4, 6 FPI							Motor Type A - Shaded pole motors B - PSC motors E - EC motors
Type of Defrost A - Air B - Brine E - Electric w/ electric pan G - 3 pipe hot gas w/ hot gas drain pan H - 3 pipe hot gas w/ electric drain pan K - 2 pipe kool gas w/ kool gas drain pan P - 2 pipe kool gas w/ electric drain pan R - Heat reclaim							BTU/h in hundreds (00)

KR SERIES**ELECTRIC DEFROST LOW TEMPERATURE**

MODEL	LIST PRICE	CAPACITY (BTUH) @ 10°		AIR FLOW (CFM)	DIMENSIONS (IN)		
		-20 SST	+20 SST		L	W	H
KR14E-037	\$1,090	3700	5000	875	29.13	15.32	15.9
KR24E-065	\$1,870	6500	8780	1750	47.13	15.32	15.9
KR24E-074	\$1,980	7400	9990	1750	47.13	15.32	15.9
KR34E-111	\$2,700	11100	14990	2625	65.13	15.32	15.9
KR44E-148	\$3,560	14800	19850	3500	83.13	15.32	15.9
KR54E-185	\$4,510	18500	24980	4375	101.13	15.32	15.9
KR64E-213	\$4,880	21300	28760	5250	119.13	15.32	15.9
KR64E-220	\$5,070	22000	29700	5250	119.13	15.32	15.9
KR16E-035	\$1,260	3500	4730	845	29.13	15.32	15.9
KR16E-041	\$1,360	4100	5540	845	29.13	15.32	15.9
KR16E-045	\$1,430	4500	6080	845	29.13	15.32	15.9
KR26E-067	\$1,830	6700	9050	1690	47.13	15.32	15.9
KR26E-075	\$1,870	7500	10130	1690	47.13	15.32	15.9
KR26E-090	\$2,010	9000	12150	1690	47.13	15.32	15.9
KR36E-126	\$2,630	12600	17010	2535	65.13	15.32	15.9
KR36E-135	\$2,820	13500	18230	2535	65.13	15.32	15.9
KR46E-160	\$3,330	16000	21600	3380	83.13	15.32	15.9
KR46E-180	\$3,780	18000	24300	3380	83.13	15.32	15.9
KR56E-192	\$4,080	19200	25920	4225	101.13	15.32	15.9
KR66E-240	\$4,790	24000	32400	5070	119.13	15.32	15.9
KR66E-270	\$5,330	27000	36450	5070	119.13	15.32	15.9

KR SERIES

GAS DEFROST LOW TEMPERATURE

MODEL	LIST PRICE BY DEFROST TYPE				CAPACITY (BTUH) @ 10° AIR FLOW			DIMENSIONS (IN)		
	(P)-KGE	(K)-KGG	(H)-HGE	(G)-HGG	-20 SST	+20 SST	(CFM)	L	W	H
KR14()-037	\$1,190	\$1,610	\$1,100	\$1,440	3700	5000	875	29.13	15.32	15.9
KR24()-065	\$2,020	\$2,730	\$1,860	\$2,440	6500	8780	1750	47.13	15.32	15.9
KR24()-074	\$2,090	\$2,820	\$1,920	\$2,530	7400	9990	1750	47.13	15.32	15.9
KR34()-111	\$2,180	\$2,940	\$2,000	\$2,630	11100	14990	2625	65.13	15.32	15.9
KR44()-148	\$2,810	\$3,810	\$2,590	\$3,410	14800	19850	3500	83.13	15.32	15.9
KR54()-185	\$3,470	\$4,690	\$3,200	\$4,200	18500	24980	4375	101.13	15.32	15.9
KR64()-213	\$3,870	\$5,230	\$3,570	\$4,680	21300	28760	5250	119.13	15.32	15.9
KR64()-220	\$4,030	\$5,450	\$3,710	\$4,880	22000	29700	5250	119.13	15.32	15.9
KR16()-035	\$1,260	\$1,700	\$1,160	\$1,520	3500	4730	845	29.13	15.32	15.9
KR16()-041	\$1,390	\$1,880	\$1,290	\$1,690	4100	5540	845	29.13	15.32	15.9
KR16()-045	\$1,510	\$2,040	\$1,390	\$1,830	4500	6080	845	29.13	15.32	15.9
KR26()-067	\$1,830	\$2,460	\$1,680	\$2,210	6700	9050	1690	47.13	15.32	15.9
KR26()-075	\$1,980	\$2,680	\$1,820	\$2,390	7500	10130	1690	47.13	15.32	15.9
KR26()-090	\$2,210	\$2,980	\$2,030	\$2,670	9000	12150	1690	47.13	15.32	15.9
KR36()-126	\$2,150	\$2,900	\$1,980	\$2,590	12600	17010	2535	65.13	15.32	15.9
KR36()-135	\$2,380	\$3,210	\$2,190	\$2,870	13500	18230	2535	65.13	15.32	15.9
KR46()-160	\$2,620	\$3,550	\$2,410	\$3,170	16000	21600	3380	83.13	15.32	15.9
KR46()-180	\$3,030	\$4,090	\$2,780	\$3,660	18000	24300	3380	83.13	15.32	15.9
KR56()-192	\$3,400	\$4,460	\$3,160	\$4,030	19200	25920	4225	101.13	15.32	15.9
KR66()-240	\$3,690	\$4,990	\$3,400	\$4,470	24000	32400	5070	119.13	15.32	15.9
KR66()-270	\$4,140	\$5,600	\$3,810	\$5,010	27000	36450	5070	119.13	15.32	15.9

Available types of defrost

- (H)-HGE 3 Pipe Hot Gas with Electric Pan
- (G)-HGG 3 Pipe Hot Gas with Hot Gas Pan
- (P)-KGE 2 Pipe Kool gas with Electric Pan
- (K)-KGG 2 Pipe Kool Gas with Kool Gas Pan

MK MODELS

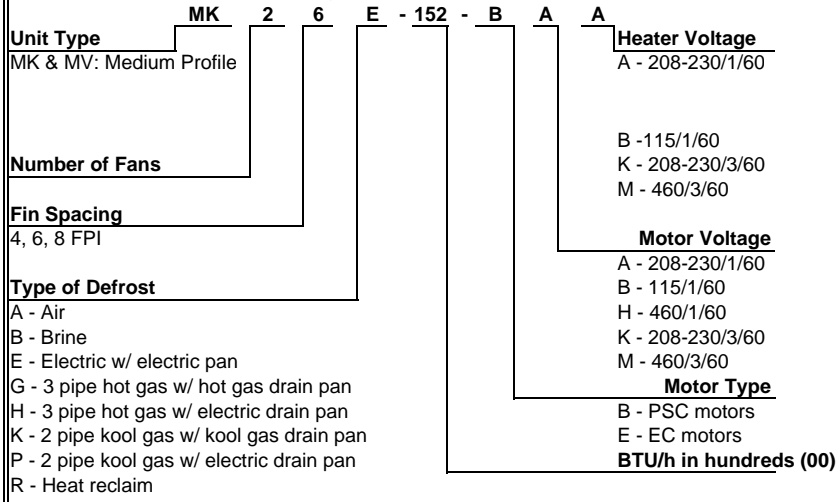
AIR DEFROST MEDIUM TEMPERATURE

MODEL	LIST PRICE	CAPACITY (BTUH) @ 10°		DIMENSIONS (IN)			SHIPPING WGT. (LBS)
		TD +20 SST	AIR FLOW (CFM)	L	W	H	
MK14A-68	\$1,300	6,800	3,245	38.00	19.00	26.75	115
MK16A-86	\$1,380	8,600	2,985	38.00	19.00	26.75	115
MK14A-94	\$1,410	9,400	3,060	38.00	19.00	26.75	125
MK18A-98	\$1,440	9,800	2,860	38.00	19.00	26.75	115
MK16A-118	\$1,840	11,800	2,815	38.00	19.00	26.75	125
MK14A-121	\$2,000	12,100	2,960	38.00	19.00	26.75	130
MK18A-133	\$2,030	13,300	2,710	38.00	19.00	26.75	125
MK16A-145	\$2,060	14,500	2,725	38.00	19.00	26.75	130
MK18A-160	\$2,110	16,000	2,625	38.00	19.00	26.75	130
MK26A-172	\$2,460	17,200	5,970	63.00	19.00	26.75	215
MK24A-188	\$2,700	18,800	6,120	63.00	19.00	26.75	225
MK28A-196	\$2,930	19,600	5,720	63.00	19.00	26.75	215
MK26A-236	\$3,270	23,600	5,630	63.00	19.00	26.75	225
MK24A-242	\$3,340	24,200	5,920	63.00	19.00	26.75	240
MK28A-266	\$3,440	26,600	5,420	63.00	19.00	26.75	225
MK26A-290	\$4,040	29,000	5,450	63.00	19.00	26.75	240
MK28A-320	\$4,270	32,000	5,250	63.00	19.00	26.75	240
MK36A-354	\$4,910	35,400	8,445	92.00	19.00	26.75	330
MK34A-363	\$5,220	36,300	8,880	92.00	19.00	26.75	350
MK38A-393	\$5,970	39,300	8,130	92.00	19.00	26.75	330
MK36A-435	\$6,300	43,500	8,175	92.00	19.00	26.75	350
MK38A-480	\$6,610	48,000	7,875	92.00	19.00	26.75	350
MK44A-484	\$6,950	48,400	11,840	119.00	19.00	26.75	470
MK46A-580	\$7,420	58,000	10,900	119.00	19.00	26.75	470
MK48A-640	\$7,710	64,000	10,500	119.00	19.00	26.75	470

MODEL OPTIONS

No. of Fans	Long Throw Adapters	Insulated Drain Pan	Painted Housing	SS Non Ins		SS		SS LTA	EC Motor
				SS Housing & Non Ins DP	Drain Pan (only)	Housing & Ins DP	SS Ins Drain Pan		
1	\$190	\$370	\$410	\$1,270	\$570	1,900	1130	\$480	\$470
2	\$380	\$460	\$820	\$1,590	\$710	2,360	1390	\$950	\$940
3	\$570	\$600	\$1,230	\$2,170	\$930	3,040	1680	\$1,420	\$1,410
4	\$680	\$970	\$1,640	\$3,160	\$1,500	4,370	2550	\$1,900	\$1,880

MK Model Key



MK/MV SERIES - MEDIUM PROFILE UNITS

ELECTRIC DEFROST LOW/MEDIUM TEMPERATURE

MODEL	LIST PRICE	CAPACITY (BTUH)			AIR FLOW (CFM)	DIMENSIONS (IN)			SHIPPING WGT. (LBS)
		@ 10° TD -20 SST	@10° TD +20 SST			L	W	H	
MK16E-76	\$2,260	7,600	8,600	2,985	38.00	19.00	26.75	115	
MK16E-103	\$2,460	10,300	11,800	2,815	38.00	19.00	26.75	125	
MK16E-127	\$2,620	12,700	14,500	2,725	38.00	19.00	26.75	130	
MK26E-152	\$3,090	15,200	17,200	5,970	63.00	19.00	26.75	215	
MK26E-206	\$4,120	20,600	23,600	5,630	63.00	19.00	26.75	225	
MK26E-254	\$5,210	25,400	29,000	5,450	63.00	19.00	26.75	240	
MK36E-309	\$5,980	30,900	35,400	8,445	92.00	19.00	26.75	330	
MK36E-381	\$6,960	38,100	43,500	8,175	92.00	19.00	26.75	350	
MK46E-508	\$8,020	50,800	58,000	10,900	119.00	19.00	26.75	470	
MK14E-60	\$2,220	6,000	6,800	3,245	38.00	19.00	26.75	115	
MK14E-82	\$2,430	8,200	9,400	3,060	38.00	19.00	26.75	125	
MK14E-105	\$2,560	10,500	12,100	2,960	38.00	19.00	26.75	130	
MK24E-120	\$2,960	12,000	13,600	6,490	63.00	19.00	26.75	215	
MK24E-164	\$4,010	16,400	18,800	6,120	63.00	19.00	26.75	225	
MK24E-210	\$5,110	21,000	24,200	5,920	63.00	19.00	26.75	240	
MK34E-246	\$5,850	24,600	28,200	9,180	92.00	19.00	26.75	330	
MK34E-315	\$6,800	31,500	36,300	8,880	92.00	19.00	26.75	350	
MK44E-420	\$7,840	42,000	48,400	11,840	119.00	19.00	26.75	470	

LOW TEMPERATURE - BELOW +30°F EXTRA HIGH VELOCITY

MODEL	LIST PRICE	CAPACITY (BTUH)			AIR FLOW (CFM)	DIMENSIONS (IN)			SHIPPING WGT. (LBS)
		@ 10° TD -20 SST	@10° TD +20 SST			L	W	H	
MV16E-93	\$2,670	9,300	N/A	4,405	38.00	19.00	26.75	115	
MV16E-126	\$3,140	12,600	N/A	3,955	38.00	19.00	26.75	125	
MV16E-155	\$3,740	15,500	N/A	3,800	38.00	19.00	26.75	130	
MV26E-186	\$4,720	18,600	N/A	8,810	63.00	19.00	26.75	215	
MV26E-252	\$5,100	25,200	N/A	7,910	63.00	19.00	26.75	225	
MV26E-310	\$6,260	31,000	N/A	7,600	63.00	19.00	26.75	240	
MV36E-378	\$7,200	37,800	N/A	11,865	92.00	19.00	26.75	330	
MV36E-465	\$8,370	46,500	N/A	11,400	92.00	19.00	26.75	350	
MV46E-620	\$9,630	62,000	N/A	15,200	119.00	19.00	26.75	470	
MV14E-73	\$2,540	7,300	N/A	4,790	38.00	19.00	26.75	115	
MV14E-100	\$2,960	10,000	N/A	4,300	38.00	19.00	26.75	125	
MV14E-128	\$3,440	12,800	N/A	4,130	38.00	19.00	26.75	130	
MV24E-146	\$4,450	14,600	N/A	9,580	63.00	19.00	26.75	215	
MV24E-200	\$5,030	20,000	N/A	8,600	63.00	19.00	26.75	225	
MV24E-256	\$6,110	25,600	N/A	8,260	63.00	19.00	26.75	240	
MV34E-300	\$7,040	30,000	N/A	12,900	92.00	19.00	26.75	330	
MV34E-384	\$8,180	38,400	N/A	12,390	92.00	19.00	26.75	350	
MV44E-512	\$9,410	51,200	N/A	16,520	119.00	19.00	26.75	470	

MK/MV SERIES - MEDIUM PROFILE UNITS

HOT GAS DEFROST, LOW/MEDIUM TEMPERATURE

MODEL	LIST PRICE BY DEFROST TYPE				CAPACITY (BTUH) @ 10° TD			AIR FLOW (CFM)	DIMENSIONS (IN)			SHIPPING WGT. (LBS)
	(P)-KGE	(K)-KGG	(H)-HGE	(G)-HGG	-20 SST	+20 SST	L		W	H		
MK16()-76	\$2,200	\$2,540	\$1,990	\$2,330	7,600	8,600	2,985	38.00	19.00	26.75	115	
MK16()-103	\$2,400	\$2,770	\$2,190	\$2,560	10,300	11,800	2,815	38.00	19.00	26.75	125	
MK16()-127	\$2,550	\$2,940	\$2,340	\$2,730	12,700	14,500	2,725	38.00	19.00	26.75	130	
MK26()-152	\$2,990	\$3,450	\$2,780	\$3,250	15,200	17,200	5,970	63.00	19.00	26.75	215	
MK26()-206	\$3,990	\$4,610	\$3,780	\$4,390	20,600	23,600	5,630	63.00	19.00	26.75	225	
MK26()-254	\$5,050	\$5,830	\$4,840	\$5,620	25,400	29,000	5,450	63.00	19.00	26.75	240	
MK36()-309	\$5,690	\$6,700	\$5,470	\$6,490	30,900	35,400	8,445	92.00	19.00	26.75	330	
MK36()-381	\$6,620	\$7,800	\$6,410	\$7,580	38,100	43,500	8,175	92.00	19.00	26.75	350	
MK46()-508	\$7,620	\$8,980	\$7,410	\$8,770	50,800	58,000	10,900	119.00	19.00	26.75	470	
MK14()-60	\$2,100	\$2,420	\$1,890	\$2,210	6,000	6,800	3,245	38.00	19.00	26.75	115	
MK14()-82	\$2,290	\$2,650	\$2,080	\$2,440	8,200	9,400	3,060	38.00	19.00	26.75	125	
MK14()-105	\$2,420	\$2,790	\$2,210	\$2,580	10,500	12,100	2,960	38.00	19.00	26.75	130	
MK24()-120	\$2,790	\$3,270	\$2,580	\$3,020	12,000	13,600	6,490	63.00	19.00	26.75	215	
MK24()-164	\$3,790	\$4,370	\$3,580	\$4,160	16,400	18,800	6,120	63.00	19.00	26.75	225	
MK24()-210	\$4,830	\$5,560	\$4,620	\$5,360	21,000	24,200	5,920	63.00	19.00	26.75	240	
MK34()-246	\$5,400	\$6,360	\$5,190	\$6,150	24,600	28,200	9,180	92.00	19.00	26.75	330	
MK34()-315	\$6,280	\$7,410	\$6,080	\$7,200	31,500	36,300	8,880	92.00	19.00	26.75	350	
MK44()-420	\$7,230	\$8,530	\$7,020	\$8,320	42,000	48,400	11,840	119.00	19.00	26.75	470	

Available types of defrost

- (H)-HGE 3 Pipe Hot Gas with Electric Pan
- (G)-HGG 3 Pipe Hot Gas with Hot Gas Pan
- (P)-KGE 2 Pipe Kool gas with Electric Pan
- (K)-KGG 2 Pipe Kool Gas with Kool Gas Pan

MS Series

Air Defrost - Medium Temperature

MODEL	LIST PRICE	CAPACITY		DIMENSIONS (IN)			SHIPPING WGT. (LBS)
		(BTUH) @ 10° TD +20 SST	AIR FLOW (CFM)	L	W	H	
MS14A-150	\$2,930	15,020	4200	57.00	26.625	26.25	142
MS14A-190	\$3,580	19,030	4120	57.00	26.625	26.25	153
MS14A-225	\$4,060	22,470	4000	57.00	26.625	26.25	171
MS14A-249	\$4,510	24,910	3920	57.00	26.625	26.25	184
MS16A-184	\$3,030	18,360	4120	57.00	26.625	26.25	151
MS16A-229	\$3,680	22,940	4040	57.00	26.625	26.25	164
MS16A-260	\$4,190	26,010	3940	57.00	26.625	26.25	182
MS16A-281	\$4,650	28,100	3850	57.00	26.625	26.25	197
MS17A-199	\$3,080	19,880	4080	57.00	26.625	26.25	161
MS17A-246	\$3,760	24,590	4000	57.00	26.625	26.25	174
MS17A-275	\$4,280	27,500	3900	57.00	26.625	26.25	194
MS17A-295	\$4,740	29,540	3800	57.00	26.625	26.25	209
MS24A-300	\$4,900	30,040	8400	102.00	26.625	26.25	247
MS24A-381	\$6,230	38,050	8240	102.00	26.625	26.25	272
MS24A-450	\$7,020	44,950	8000	102.00	26.625	26.25	301
MS24A-498	\$7,590	49,820	7840	102.00	26.625	26.25	326
MS26A-367	\$5,050	36,710	8240	102.00	26.625	26.25	269
MS26A-459	\$6,420	45,880	8080	102.00	26.625	26.25	297
MS26A-520	\$7,230	52,030	7880	102.00	26.625	26.25	328
MS26A-562	\$7,820	56,190	7700	102.00	26.625	26.25	355
MS27A-398	\$5,160	39,760	8160	102.00	26.625	26.25	309
MS27A-492	\$6,550	49,180	8000	102.00	26.625	26.25	342
MS27A-550	\$7,380	55,000	7800	102.00	26.625	26.25	370
MS27A-591	\$7,980	59,080	7600	102.00	26.625	26.25	419
MS34A-524	\$8,450	52,400	12135	129.00	26.625	26.25	369
MS34A-623	\$9,590	62,250	11505	129.00	26.625	26.25	402
MS34A-708	\$10,220	70,820	11325	129.00	26.625	26.25	433
MS36A-626	\$8,720	62,610	11895	129.00	26.625	26.25	402
MS36A-712	\$9,880	71,180	11040	129.00	26.625	26.25	438
MS36A-806	\$10,540	80,620	10995	129.00	26.625	26.25	472
MS37A-663	\$8,910	66,340	11700	129.00	26.625	26.25	419
MS37A-755	\$10,500	75,540	10995	129.00	26.625	26.25	456
MS37A-849	\$10,750	84,870	10905	129.00	26.625	26.25	492
MS44A-699	\$11,030	69,870	16180	168.00	26.625	26.25	493
MS44A-830	\$11,940	83,000	15340	168.00	26.625	26.25	528
MS44A-944	\$13,130	94,430	15100	168.00	26.625	26.25	578
MS46A-835	\$11,370	83,480	15860	168.00	26.625	26.25	538
MS46A-949	\$12,310	94,900	14720	168.00	26.625	26.25	576
MS46A-1075	\$13,550	107,490	14660	168.00	26.625	26.25	630
MS47A-885	\$11,610	88,450	15600	168.00	26.625	26.25	560
MS47A-1007	\$12,590	100,720	14660	168.00	26.625	26.25	600
MS47A-1132	\$13,860	113,170	14540	168.00	26.625	26.25	656

MODEL OPTIONS

No. of Fans	Long Throw Adapters	Insulated Drain Pan	Painted Housing	SS Housing & DP	SS Drain		SS Ins Drain Pan	SS LTA
					Pan (only)	Housing & Ins DP		
1	\$240	\$410	\$770	\$1,700	\$550	\$2,370	\$1,100	\$710
2	\$480	\$730	\$1,170	\$2,680	\$980	\$3,800	\$1,930	\$1,420
3	\$720	\$900	\$1,430	\$4,310	\$1,890	\$5,470	\$2,810	\$2,130
4	\$960	\$1,180	\$1,790	\$5,090	\$2,180	\$6,690	\$3,490	\$2,840

MS Model Key

<u>Unit Type</u>	MS	2	6	E	- 390	-	C	K	K	<u>Heater Voltage</u>
MS: Super Cooler										A - 208-230/1/60 B - 115/1/60 K - 208-230/3/60 M - 460/3/60 P - 575/3/60
<u>Number of Fans</u>										<u>Motor Voltage</u> A - 208-230/1/60 B - 115/1/60 K - 208-230/3/60 M - 460/3/60 P - 575/3/60
<u>Fin Spacing</u> 4, 5, 6, 7 FPI										<u>Motor Type</u> A - Shaded pole motors B - PSC motors C - 3 Phase motors
<u>Type of Defrost</u> A - Air B - Brine D - Electric w/ no pan heat E - Electric w/ electric pan G - 3 pipe hot gas w/ hot gas drain pan H - 3 pipe hot gas w/ electric drain pan K - 2 pipe kool gas w/ kool gas drain pan P - 2 pipe kool gas w/ electric drain pan R - Heat reclaim										BTU/h in hundreds (00)

MS Series

Electric Defrost-Low Temperature

MS Series

MODEL	LIST PRICE	CAPACITY (BTUH) @ 10° TD			AIR FLOW (CFM)	DIMENSIONS (IN)			SHIPPING WGT. (LBS)
		-20 SST	+20 SST			L	W	H	
MS14E-162	\$4,170	16,180	19,030	4,120	57.00	26.625	26.25	174	
MS14E-212	\$5,160	21,170	24,910	3,920	57.00	26.625	26.25	208	
MS15E-178	\$4,230	17,790	20,930	4,060	57.00	26.625	26.25	186	
MS15E-223	\$5,240	22,260	26,190	3,890	57.00	26.625	26.25	221	
MS16E-195	\$4,300	19,500	22,940	4,040	57.00	26.625	26.25	198	
MS16E-239	\$5,300	23,890	28,100	3,850	57.00	26.625	26.25	236	
MS24E-323	\$8,850	32,340	38,050	8,240	102.00	26.625	26.25	297	
MS24E-424	\$9,700	42,350	49,820	7,840	102.00	26.625	26.25	357	
MS25E-356	\$8,980	35,580	41,860	8,120	102.00	26.625	26.25	317	
MS25E-444	\$9,860	44,450	52,290	7,780	102.00	26.625	26.25	381	
MS26E-390	\$9,120	39,000	45,880	8,080	102.00	26.625	26.25	337	
MS26E-478	\$10,010	47,760	56,190	7,700	102.00	26.625	26.25	406	
MS34E-445	\$10,340	44,540	52,400	12,135	129.00	26.625	26.25	398	
MS34E-602	\$11,240	60,200	70,820	11,325	129.00	26.625	26.25	470	
MS35E-502	\$10,520	50,180	59,030	12,015	129.00	26.625	26.25	425	
MS35E-643	\$11,400	64,330	75,680	11,205	129.00	26.625	26.25	502	
MS36E-532	\$10,680	53,220	62,610	11,895	129.00	26.625	26.25	452	
MS36E-685	\$11,570	68,530	80,620	10,995	129.00	26.625	26.25	534	
MS44E-594	\$13,240	59,390	69,870	16,180	168.00	26.625	26.25	541	
MS44E-803	\$15,270	80,270	94,430	15,100	168.00	26.625	26.25	616	
MS45E-669	\$13,450	66,900	78,710	16,020	168.00	26.625	26.25	578	
MS45E-858	\$15,490	85,770	100,910	14,940	168.00	26.625	26.25	658	
MS46E-710	\$13,650	70,960	83,480	15,860	168.00	26.625	26.25	615	
MS46E-914	\$15,740	91,370	107,490	14,660	168.00	26.625	26.25	700	

MS Series

Hot Gas Defrost - Medium Profile

Low Temperature

MODEL	LIST PRICE BY DEFROST TYPE				CAPACITY (BTUH) @ 10° TD			AIR FLOW (CFM)	DIMENSIONS (IN)			SHIPPING WGT. (LBS)
	(P)-KGE	(K)-KGG	(H)-HGE	(G)-HGG	-20 SST	+20 SST	L		W	H		
MS14()-162	\$4,060	\$5,140	\$3,870	\$5,090	16,180	19,030	4,120	57.00	26.625	26.25	174	
MS14()-212	\$5,030	\$6,210	\$4,800	\$6,150	21,170	24,910	3,920	57.00	26.625	26.25	208	
MS15()-178	\$4,130	\$5,200	\$3,940	\$5,180	17,790	20,930	4,060	57.00	26.625	26.25	186	
MS15()-223	\$5,100	\$6,290	\$4,870	\$6,270	22,260	26,190	3,890	57.00	26.625	26.25	221	
MS16()-195	\$4,190	\$5,270	\$4,000	\$5,260	19,500	22,940	4,040	57.00	26.625	26.25	198	
MS16()-239	\$5,180	\$6,380	\$4,940	\$6,380	23,890	28,100	3,850	57.00	26.625	26.25	236	
MS24()-323	\$8,620	\$10,510	\$8,230	\$10,420	32,340	38,050	8,240	102.00	26.625	26.25	297	
MS24()-424	\$9,460	\$11,440	\$9,030	\$11,350	42,350	49,820	7,840	102.00	26.625	26.25	357	
MS25()-356	\$8,760	\$10,660	\$8,360	\$10,620	35,580	41,860	8,120	102.00	26.625	26.25	317	
MS25()-444	\$9,610	\$11,610	\$9,160	\$11,560	44,450	52,290	7,780	102.00	26.625	26.25	381	
MS26()-390	\$8,900	\$10,810	\$8,480	\$10,800	39,000	45,880	8,080	102.00	26.625	26.25	337	
MS26()-478	\$9,760	\$11,770	\$9,310	\$11,740	47,760	56,190	7,700	102.00	26.625	26.25	406	
MS34()-445	\$10,090	\$12,340	\$9,620	\$12,240	44,540	52,400	12,135	129.00	26.625	26.25	398	
MS34()-602	\$10,950	\$13,320	\$10,460	\$13,200	60,200	70,820	11,325	129.00	26.625	26.25	470	
MS35()-502	\$10,260	\$12,530	\$9,790	\$12,430	50,180	59,030	12,015	129.00	26.625	26.25	425	
MS35()-643	\$11,110	\$13,500	\$10,600	\$13,410	64,330	75,680	11,205	129.00	26.625	26.25	502	
MS36()-532	\$10,410	\$12,700	\$9,940	\$12,640	53,220	62,610	11,895	129.00	26.625	26.25	452	
MS36()-685	\$11,280	\$13,680	\$10,760	\$13,650	68,530	80,620	10,995	129.00	26.625	26.25	534	
MS44()-594	\$12,920	\$15,790	\$12,310	\$15,650	59,390	69,870	16,180	168.00	26.625	26.25	541	
MS44()-803	\$14,890	\$17,990	\$14,200	\$17,840	80,270	94,430	15,100	168.00	26.625	26.25	616	
MS45()-669	\$13,110	\$16,000	\$12,500	\$15,920	66,900	78,710	16,020	168.00	26.625	26.25	578	
MS45()-858	\$15,110	\$18,240	\$14,410	\$18,140	85,770	100,910	14,940	168.00	26.625	26.25	658	
MS46()-710	\$13,310	\$16,230	\$12,690	\$16,180	70,960	83,480	15,860	168.00	26.625	26.25	615	
MS46()-914	\$15,340	\$18,510	\$14,630	\$18,480	91,370	107,490	14,660	168.00	26.625	26.25	700	

Available types of defrost

- (H)-HGE 3 Pipe Hot Gas with Electric Pan
- (G)-HGG 3 Pipe Hot Gas with Hot Gas Pan
- (P)-KGE 2 Pipe Kool gas with Electric Pan
- (K)-KGG 2 Pipe Kool Gas with Kool Gas Pan

SPACE MASTER SERIES

AIR DEFROST MEDIUM TEMPERATURE

MEDIUM TEMPERATURE

MODEL	LIST PRICE	CAPACITY AIR FLOW		DIMENSIONS (IN)			SHIPPING WGT. (LBS)
		(BTUH) @ 10° TD	(CFM)	L	W	H	
SM14A-314	\$5,530	31,400	9860	77.00	38.50	40.50	410
SM16A-378	\$5,810	37,800	8980	77.00	38.50	40.50	445
SM17A-410	\$5,930	41,000	8550	77.00	38.50	40.50	465
SM14A-403	\$6,250	40,300	9690	77.00	38.50	40.50	430
SM16A-463	\$6,450	46,300	8810	77.00	38.50	40.50	470
SM17A-503	\$6,710	50,300	8390	77.00	38.50	40.50	490
SM14A-469	\$6,820	46,900	9510	77.00	38.50	40.50	450
SM16A-538	\$7,020	53,800	8480	77.00	38.50	40.50	495
SM17A-585	\$7,530	58,500	8100	77.00	38.50	40.50	515
SM14A-526	\$7,550	52,600	9330	77.00	38.50	40.50	484
SM16A-604	\$7,650	60,400	8400	77.00	38.50	40.50	530
SM17A-657	\$7,730	65,700	8000	77.00	38.50	40.50	550
SM24A-619	\$8,830	61,900	19700	134.25	38.50	40.50	830
SM26A-746	\$9,040	74,600	17900	134.25	38.50	40.50	885
SM27A-811	\$9,350	81,100	17100	134.25	38.50	40.50	940
SM24A-797	\$10,130	79,700	19380	134.25	38.50	40.50	836
SM26A-915	\$10,520	91,500	17600	134.25	38.50	40.50	895
SM27A-995	\$11,960	99,500	16800	134.25	38.50	40.50	950
SM24A-882	\$12,750	88,200	18890	134.25	38.50	40.50	845
SM26A-1063	\$13,410	106,300	16900	134.25	38.50	40.50	905
SM27A-1155	\$14,560	115,500	16100	134.25	38.50	40.50	960
SM24A-1038	\$15,230	103,800	18400	134.25	38.50	40.50	858
SM26A-1192	\$15,790	119,200	16800	134.25	38.50	40.50	915
SM27A-1296	\$15,850	129,600	15900	134.25	38.50	40.50	975
SM34A-1123	\$16,000	112,300	28600	134.25	38.50	51.00	960
SM36A-1289	\$16,330	128,900	24900	134.25	38.50	51.00	1070
SM37A-1402	\$16,690	140,200	24700	134.25	38.50	51.00	1090
SM34A-1243	\$17,200	124,300	28000	134.25	38.50	51.00	1034
SM36A-1498	\$17,550	149,800	24600	134.25	38.50	51.00	1156
SM37A-1628	\$18,460	162,800	23700	134.25	38.50	51.00	1175
SM34A-1463	\$19,040	146,300	27400	134.25	38.50	51.00	1100
SM36A-1678	\$19,320	167,800	24400	134.25	38.50	51.00	1235
SM37A-1824	\$20,960	182,400	23500	134.25	38.50	51.00	1255
SM44A-1532	\$21,610	153,200	33900	173.00	38.50	52.50	1280
SM46A-1846	\$21,950	184,600	33200	173.00	38.50	52.50	1430
SM47A-1920	\$22,310	192,000	32930	173.00	38.50	52.50	1455
SM44A-1829	\$24,480	182,900	33400	173.00	38.50	52.50	1380
SM46A-2204	\$24,910	220,400	32800	173.00	38.50	52.50	1540
SM47A-2281	\$25,010	228,100	31600	173.00	38.50	52.50	1565
SM44A-2015	\$26,210	201,500	33000	173.00	38.50	52.50	1470
SM46A-2428	\$26,410	242,800	32530	173.00	38.50	52.50	1645
SM47A-2581	\$26,890	258,100	31330	173.00	38.50	52.50	1670

MODEL OPTIONS

No. of Fans	Long Throw Adapters	Insulated Drain Pan	Painted Housing	SS Housing & DP	SS Drain Pan (only)	SS			SS LTA
						Housing & Ins DP	SS Ins Drain Pan		
1	\$300	\$880	\$1,290	\$2,460	\$730	\$3,460	\$1,730	\$980	
2	\$600	\$1,200	\$2,340	\$3,660	\$1,540	\$5,280	\$3,170	\$1,960	
3	\$900	\$1,200	\$2,920	\$3,870	\$1,540	\$5,490	\$3,170	\$2,940	
4	\$1,200	\$1,590	\$3,740	\$4,680	\$1,900	\$6,070	\$3,280	\$3,920	

SM/SV MODELS

Electric Defrost-Low Temperature

MODEL	LIST PRICE	CAPACITY (BTUH) @ 10° TD		AIR FLOW (CFM)	DIMENSIONS (IN)			SHIPPING WGT. (LBS)
		@-20° SST	@+20° SST		L	W	H	
SM14E-384	\$7,650	38,400	40,300	9,690	77.00	38.50	40.50	440
SM15E-426	\$8,610	42,600	44,700	9,250	77.00	38.50	40.50	450
SM16E-440	\$9,110	44,000	46,300	8,810	77.00	38.50	40.50	470
SM14E-501	\$9,240	50,100	52,600	9,330	77.00	38.50	40.50	495
SM15E-556	\$9,660	55,600	58,400	8,900	77.00	38.50	40.50	505
SM16E-574	\$10,140	57,400	60,400	8,400	77.00	38.50	40.50	530
SM24E-759	\$13,830	75,900	79,700	19,380	134.25	38.50	40.50	836
SM25E-842	\$14,860	84,200	88,400	18,500	134.25	38.50	40.50	874
SM26E-869	\$15,880	86,900	91,500	17,600	134.25	38.50	40.50	912
SM24E-989	\$16,430	98,900	103,800	18,400	134.25	38.50	40.50	860
SM25E-1097	\$18,000	109,700	115,200	17,600	134.25	38.50	40.50	900
SM26E-1132	\$18,810	113,200	119,200	16,800	134.25	38.50	40.50	920
SM34E-1070	\$19,180	107,000	112,300	28,600	134.25	38.50	51.00	1030
SM35E-1186	\$19,570	118,600	124,500	27,300	134.25	38.50	51.00	1050
SM36E-1225	\$20,370	122,500	128,900	24,900	134.25	38.50	51.00	1060
SM34E-1393	\$23,820	139,300	146,300	27,400	134.25	38.50	51.00	1195
SM35E-1544	\$24,910	154,400	162,100	26,100	134.25	38.50	51.00	1215
SM36E-1594	\$26,000	159,400	167,800	25,800	134.25	38.50	51.00	1240
SM44E-1465	\$26,660	146,500	167,000	38,130	173.00	38.50	52.50	1370
SM45E-1523	\$27,880	152,300	173,600	36,400	173.00	38.50	52.50	1340
SM46E-1754	\$28,960	175,400	184,600	33,200	173.00	38.50	52.50	1400
SM44E-1769	\$32,630	176,900	201,800	36,530	173.00	38.50	52.50	1469
SM45E-1985	\$34,170	198,500	226,300	34,800	173.00	38.50	52.50	1540
SM46E-2307	\$35,890	230,700	242,800	32,530	173.00	38.50	52.50	1600

LOW TEMPERATURE ONLY - BELOW +30°F

MODEL	LIST PRICE	(BTUH) @ 10° TD		AIR FLOW (CFM)	DIMENSIONS (IN)			SHIPPING WGT. (LBS)
		@-20° SST	@+20° SST		L	W	H	
SV14E-422	\$8,040	42,200	-	11250	77.00	38.50	40.50	440
SV15E-468	\$9,000	46,800	-	11125	77.00	38.50	40.50	450
SV16E-664	\$10,530	66,400	-	11000	77.00	38.50	40.50	530
SV14E-550	\$9,640	55,000	-	11250	77.00	38.50	40.50	495
SV15E-611	\$10,050	61,100	-	11125	77.00	38.50	40.50	505
SV16E-684	\$10,530	68,400	-	11000	77.00	38.50	40.50	540
SV24E-834	\$14,620	83,400	-	24225	134.25	38.50	40.50	836
SV25E-926	\$15,640	92,600	-	23125	134.25	38.50	40.50	874
SV26E-1005	\$16,670	100,500	-	22800	134.25	38.50	40.50	912
SV24E-1088	\$17,160	108,800	-	23000	134.25	38.50	40.50	860
SV25E-1206	\$18,790	120,600	-	22000	134.25	38.50	40.50	900
SV26E-1311	\$20,130	131,100	-	21550	134.25	38.50	40.50	920
SV34E-1177	\$20,370	117,700	-	35750	134.25	38.50	51.00	1030
SV35E-1304	\$20,750	130,400	-	34125	134.25	38.50	51.00	1050
SV36E-1418	\$21,540	141,800	-	33400	134.25	38.50	51.00	1060
SV34E-1530	\$25,010	153,000	-	34250	134.25	38.50	51.00	1195
SV35E-1698	\$26,090	169,800	-	32625	134.25	38.50	51.00	1215
SV36E-1843	\$27,180	184,300	-	32000	134.25	38.50	51.00	1240
SV44E-1699	\$28,240	169,900	-	47650	173.00	38.50	52.50	1370
SV45E-1883	\$29,460	188,300	-	45500	173.00	38.50	52.50	1340
SV46E-2047	\$30,540	204,700	-	44500	173.00	38.50	52.50	1400
SV44E-2052	\$34,210	205,200	-	45650	173.00	38.50	52.50	1469
SV45E-2274	\$35,740	227,400	-	43600	173.00	38.50	52.50	1540
SV46E-2472	\$37,450	247,200	-	42700	173.00	38.50	52.50	1600

Insulated drain pan standard on EDL models

4 fan SM/SV for low temp requires two TEVs

SM/SV MODELS

Hot Gas Defrost - Medium Profile

LOW TEMPERATURE

MODEL	LIST PRICE BY DEFROST TYPE				CAPACITY (BTUH) @ 10°			DIMENSIONS (IN)			SHIPPING WGT. (LBS)
	(P)-KGE	(K)-KGG	(H)-HGE	(G)-HGG	TD		AIR FLOW (CFM)	L	W	H	
					@-20° SST	@+20° SST					
SM14()-384	\$8,620	\$9,110	\$7,820	\$8,300	38,400	40,300	9,690	77.00	38.50	40.50	440
SM15()-426	\$9,380	\$9,850	\$8,560	\$9,050	42,600	44,700	9,250	77.00	38.50	40.50	450
SM16()-440	\$9,930	\$10,440	\$9,050	\$9,530	44,000	46,300	8,810	77.00	38.50	40.50	470
SM14()-501	\$10,190	\$10,680	\$9,250	\$9,740	50,100	52,600	9,330	77.00	38.50	40.50	495
SM15()-556	\$10,560	\$11,060	\$9,620	\$10,110	55,600	58,400	8,900	77.00	38.50	40.50	505
SM16()-574	\$11,050	\$12,080	\$10,110	\$10,590	57,400	60,400	8,400	77.00	38.50	40.50	530
SM24()-759	\$15,220	\$16,060	\$14,270	\$15,120	75,900	79,700	19,380	134.25	38.50	40.50	836
SM25()-842	\$15,470	\$16,320	\$14,520	\$15,370	84,200	88,400	18,500	134.25	38.50	40.50	874
SM26()-869	\$16,120	\$18,680	\$16,290	\$17,150	86,900	91,500	17,600	134.25	38.50	40.50	912
SM24()-989	\$20,650	\$21,510	\$17,590	\$18,450	98,900	103,800	18,400	134.25	38.50	40.50	860
SM25()-1097	\$21,600	\$22,450	\$18,530	\$19,380	109,700	115,200	17,600	134.25	38.50	40.50	900
SM26()-1132	\$22,530	\$22,770	\$19,890	\$20,750	113,200	119,200	16,800	134.25	38.50	40.50	920
SM34()-1070	\$23,250	\$24,110	\$20,190	\$21,050	107,000	112,300	28,600	134.25	38.50	51.00	1030
SM35()-1186	\$23,540	\$24,620	\$20,700	\$21,550	118,600	124,500	27,300	134.25	38.50	51.00	1050
SM36()-1225	\$24,440	\$25,120	\$21,600	\$22,460	122,500	128,900	24,900	134.25	38.50	51.00	1060
SM34()-1393	\$25,110	\$27,340	\$23,140	\$24,000	139,300	146,300	27,400	134.25	38.50	51.00	1195
SM35()-1544	\$27,240	\$28,080	\$23,900	\$24,840	154,400	162,100	26,100	134.25	38.50	51.00	1215
SM36()-1594	\$28,320	\$29,750	\$26,780	\$27,640	159,400	167,800	25,800	134.25	38.50	51.00	1240
SM44()-1465	\$33,370	\$35,680	\$28,440	\$29,790	146,500	167,000	38,130	173.00	38.50	52.50	1370
SM45()-1523	\$34,780	\$37,210	\$29,660	\$31,010	152,300	173,600	36,400	173.00	38.50	52.50	1340
SM46()-1754	\$36,040	\$38,570	\$30,740	\$32,090	175,400	184,600	33,200	173.00	38.50	52.50	1400
SM44()-1769	\$39,790	\$43,150	\$34,830	\$36,170	176,900	201,800	36,530	173.00	38.50	52.50	1469
SM45()-1985	\$42,200	\$45,180	\$36,350	\$37,710	198,500	226,300	34,800	173.00	38.50	52.50	1540
SM46()-2307	\$43,720	\$47,330	\$33,850	\$39,010	230,700	242,800	32,530	173.00	38.50	52.50	1600

Available types of defrost

- (H)-HGE 3 Pipe Hot Gas with Electric Pan
- (G)-HGG 3 Pipe Hot Gas with Hot Gas Pan
- (P)-KGE 2 Pipe Kool gas with Electric Pan
- (K)-KGG 2 Pipe Kool Gas with Kool Gas Pan

HEAT EXCHANGERS

Condensing Unit HP	List Price	Freezer	Cooler	Model	Connections (Inches)	
					Liquid	Suction
1	\$150	6,500	11,300	HX-2	3/8	5/8
1.5	\$160	7,500	20,000	HX-3	3/8	7/8
2	\$170	10,000	25,000	HX-4	3/8	1-1/8
3	\$230	15,000	30,000	HX-5	1/2	1-1/8
5	\$280	25,000	65,000	HX-6	5/8	1-3/8
7.5	\$300	32,500	76,000	HX-7	5/8	1-5/8
10	\$510	61,200	90,000	HX-8	7/8	2-1/8
15	\$770	73,000	157,000	HX-15	7/8	2-1/8
20	\$820	93,000	211,200	HX-20	1-1/8	2-1/8
25	\$950	118,000	243,600	HX-25	1-1/8	2-5/8
30	\$970	141,000	322,800	HX-30	1-3/8	2-5/8
50	\$1,010	240,000	420,000	HX-35	1-3/8	2-5/8
60	\$1,140	280,000	500,000	HX-40	1-3/8	3-1/8

EXPANSION VALVES

R-22, 404a, 507 System Capacity	List Price	
	Loose	Mounted
2,000 - 18,000 BTUH	\$190	\$480
18,001 - 60,000 BTUH	\$220	\$480
60,001 - 200,000 BTUH	\$280	\$480
200,001 - 360,000 BTUH	\$450	\$480

SOLENOID VALVES

R-22, 404a, 507 System Capacity	List Price	
	Loose	Mounted
2,000 - 40,000 BTUH	\$230	\$630
40,001 - 200,000 BTUH	\$290	\$630
200,001 - 300,000 BTUH	\$400	\$630

CONTROL OPTIONS

(Shipped Loose) Type	List Price
RT 1 (8 Ft Capillary)	\$200
RT 2 (2" Air-Coil)	\$200
RT 3 (Electronic)	\$200

ADDITIONAL HEADERS

MS & SM Evaporators

Face Split Coil \$560
(Includes Additional Distributor)

KR, GL, GH, LH, MK, MS, SM

HEAT RECLAIM / GLYCOL CIRCUITING \$240

MISCELLANEOUS

Control Options

	List Price
Adj. Defrost Termination (KR, MK, MV, MS)	\$390
Nema 4X Non-Fused Disconnect Switch (Mntd) (MK, MV, MS, SV, SM)	\$530
Als valve	\$480

NOTE: Prices and Specifications Subject to Change Without Notice

DA Packaged Dehumidifier

Application

. Packaged dehumidifiers model DA are designed for arenas, curling rinks, roller skating rinks and other similar applications requiring moisture removal from 100°F to 30°F ambient temperature.

- . Low head pressure on low temperature application.
- . Lower electricity consumption for equivalent humidity removal.
- . Short interval between defrosts to keep evaporator with minimum frost and increase efficiency.
- . Hot gas defrost (model DA-G only) quick and efficient defrost minimize compressor cycling.
- . Easy access for service.
- . Factory assembled, wired, charged and tested.
- . Hot gas distributed equally to each evaporator tube to melt the ice evenly and efficiency.
- . Dehumidistat included, shipped loose for field installation.
- . Four 16" x 20" x 2" throw-away filters included.
- . Compact unit: 58 in. long by 44 in. wide by 33-1/4 in. high
- . Factory wired indicator lights (compressor, defrost, dirty filter)

Options

White painted casting

MODEL	UNIT VOLTAGE	LIST PRICE	DIMENSIONS (IN)			SHIPPING WGT. (LBS)
			L	W	H	
DA-5.0AK	208-230/3/60	\$21,440	58.00	44.00	33.25	735
DA-5.0GK	208-230/3/60	\$21,990	58.00	44.00	33.25	746
DA-5.0HK	208-230/3/60	\$20,650	58.00	44.00	33.25	724
DA-5.0AP	575/3/60	\$21,870	58.00	44.00	33.25	735
DA-5.0GP	575/3/60	\$22,430	58.00	44.00	33.25	746
DA-5.0HP	575/3/60	\$21,070	58.00	44.00	33.25	724
DA-5.0AM	460/3/60	\$21,440	58.00	44.00	33.25	735
DA-5.0GM	460/3/60	\$21,990	58.00	44.00	33.25	746
DA-5.0HM	460/3/60	\$20,650	58.00	44.00	33.25	724
DA-7.5AK	208-230/3/60	\$25,010	58.00	44.00	33.25	798
DA-7.5GK	208-230/3/60	\$26,040	58.00	44.00	33.25	810
DA-7.5HK	208-230/3/60	\$24,110	58.00	44.00	33.25	785
DA-7.5AP	575/3/60	\$25,510	58.00	44.00	33.25	798
DA-7.5GP	575/3/60	\$26,560	58.00	44.00	33.25	810
DA-7.5HP	575/3/60	\$24,600	58.00	44.00	33.25	785
DA-7.5AM	460/3/60	\$25,010	58.00	44.00	33.25	798
DA-7.5GM	460/3/60	\$26,040	58.00	44.00	33.25	810
DA-7.5HM	460/3/60	\$24,110	58.00	44.00	33.25	785

DA Model Key

Unit Type	DA	-	5.0	A	M	Motor Voltage
DA-Dehumidifier						A - 208-230/1/60 K - 208-230/3/60 U - 380/3/50 M - 460/3/60 P - 575/3/60
Total HP						
5.0						
7.5						
Application						
A - Air (70°F to 50°F)						
G - Hot Gas (70°F to 30°F)						
H - High Temperature (100°F to 70°F)						

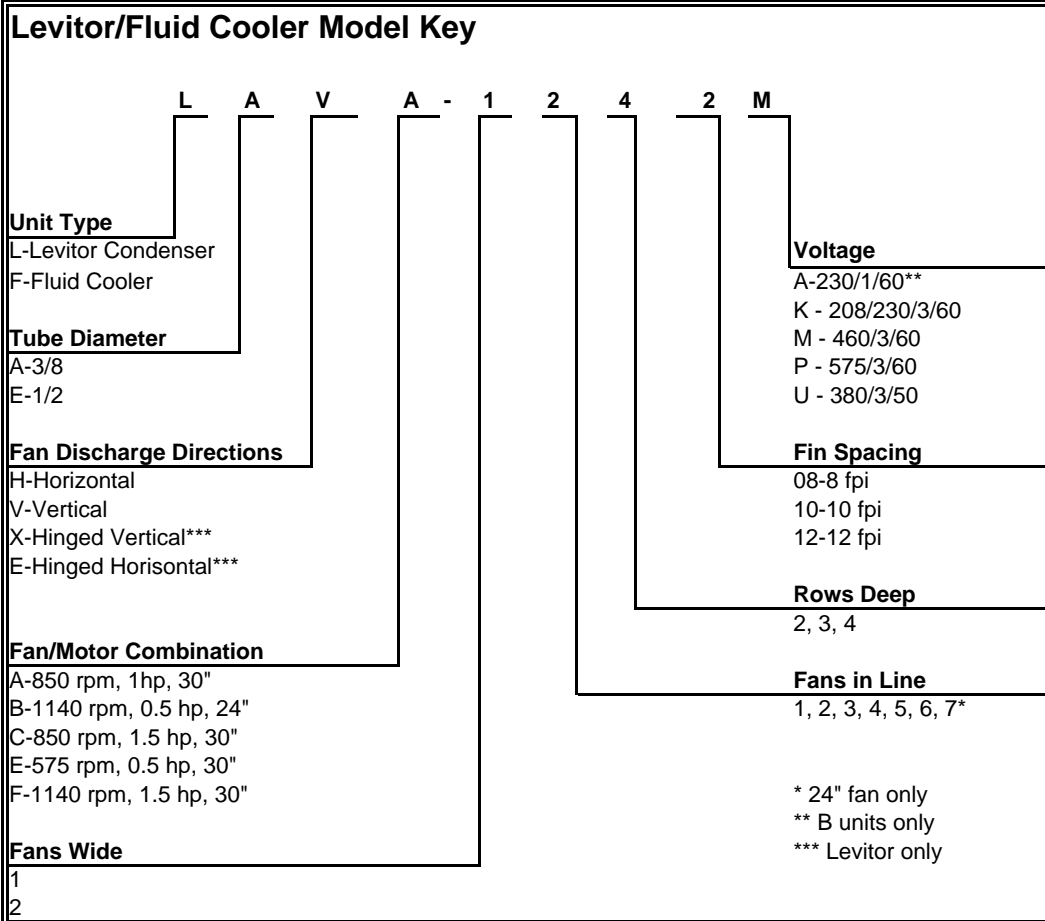
LEVITOR II AIR COOLED CONDENSER

1/2H.P. 1140 RPM

MODEL	List Price	THR in MBH (000) @ 10° TD R-22	AIR FLOW (CFM)	DIMENSIONS (IN)			SHIPPING WGT. (LBS)
				L	W	H	
One Fan Wide 24"							
11210	\$4,130	30.2	6,750	39.00	45.75	41.25	181
11310	\$4,400	39.4	6,400	39.00	45.75	41.25	185
11410	\$4,670	45.4	6,000	39.00	45.75	41.25	200
12210	\$5,770	60.5	13,500	75.00	45.75	41.25	352
12310	\$7,000	78.9	12,800	75.00	45.75	41.25	372
12410	\$7,890	90.9	12,000	75.00	45.75	41.25	400
13310	\$8,520	118.3	19,200	111.00	45.75	41.25	559
13410	\$10,710	136.3	18,000	111.00	45.75	41.25	600
14310	\$12,350	157.8	25,600	147.00	45.75	41.25	840
14410	\$12,630	181.7	24,000	147.00	45.75	41.25	900
15310	\$14,960	197.2	32,000	183.00	45.75	41.25	861
15410	\$16,740	227.1	30,000	183.00	45.75	41.25	950
16310	\$16,810	236.7	38,400	219.00	45.75	41.25	1070
16410	\$19,490	272.6	36,000	219.00	45.75	41.25	1150
17310	\$20,300	276.1	44,800	262.00	45.75	41.25	1349
17410	\$23,890	318.0	42,000	262.00	45.75	41.25	1450
Two Fan Wide							
22210	\$11,470	121.0	27,000	75.00	87.625	41.25	654
22310	\$13,930	157.8	25,600	75.00	87.625	41.25	865
22410	\$15,700	181.7	24,000	75.00	87.625	41.25	925
23310	\$16,930	236.7	38,400	111.00	87.625	41.25	1118
23410	\$21,300	272.6	36,000	111.00	87.625	41.25	1225
24310	\$24,580	315.6	51,200	147.00	87.625	41.25	1705
24410	\$25,120	363.4	48,000	147.00	87.625	41.25	1825
25310	\$29,760	394.5	64,000	183.00	87.625	41.25	1722
25410	\$33,310	454.3	60,000	183.00	87.625	41.25	1925
26310	\$33,450	473.3	76,800	219.00	87.625	41.25	2095
26410	\$38,770	545.1	72,000	219.00	87.625	41.25	2225
27310	\$40,400	552.2	89,600	255.00	87.625	41.25	2725
27410	\$47,540	636.0	84,000	255.00	87.625	41.25	2925

Coating Option Pricing

MODEL	Epoxy Electro- Fin or Heresite		MODEL	Epoxy Electro- Fin or Heresite	
	Coating	Poliester Coating		Coating	Poliester Coating
One Fan Wide 24"			Two Fan Wide		
11210	\$1,250	\$630	-	-	-
11310	\$1,370	\$670	-	-	-
11410	\$1,500	\$700	-	-	-
12210	\$2,400	\$870	22210	\$4,290	\$1,730
12310	\$2,890	\$1,050	22310	\$5,510	\$2,100
12410	\$2,860	\$1,190	22410	\$6,050	\$2,370
13310	\$3,810	\$1,290	23310	\$7,980	\$2,550
13410	\$4,140	\$1,620	23410	\$8,750	\$3,210
14310	\$4,990	\$1,860	24310	\$10,450	\$3,690
14410	\$5,420	\$1,900	24410	\$11,460	\$3,780
15310	\$6,170	\$2,250	25310	\$12,910	\$4,480
15410	\$6,690	\$2,520	25410	\$14,190	\$5,010
16310	\$7,350	\$2,530	26310	\$15,410	\$5,030
16410	\$7,990	\$2,930	26410	\$16,910	\$5,820
17310	\$8,530	\$3,060	27310	\$17,860	\$6,070
17410	\$9,270	\$3,590	27410	\$19,630	\$7,140



LEVITOR II AIR COOLED CONDENSER

1 H.P. 850 RPM

MODEL	List Price	THR in MBH (000) @ 10° TD R-22	AIR FLOW (CFM)	DIMENSIONS (IN)			SHIPPING WGT. (LBS)
				L	W	H	
One Fan Wide 30"							
LAVA 11208	\$5,500	42.4	9,260	58.00	45.25	54.00	437
LAVA 11210	\$5,560	47.5	9,151	58.00	45.25	54.00	439
LAVA 11212	\$5,630	51.7	9,040	58.00	45.25	54.00	444
LAVA 11308	\$5,950	56.0	8,933	58.00	45.25	54.00	466
LAVA 11310	\$6,030	61.2	8,760	58.00	45.25	54.00	469
LAVA 11312	\$6,090	65.3	8,574	58.00	45.25	54.00	478
LAVA 11408	\$6,160	65.3	8,582	58.00	45.25	54.00	495
LAVA 11410	\$6,230	69.7	8,314	58.00	45.25	54.00	499
LAVA 11412	\$6,300	72.3	8,025	58.00	45.25	54.00	508
LAVA 12208	\$7,830	85.0	18,520	112.00	45.25	54.00	718
LAVA 12210	\$7,970	95.1	18,302	112.00	45.25	54.00	721
LAVA 12212	\$8,100	103.4	18,080	112.00	45.25	54.00	729
LAVA 12308	\$8,380	111.8	17,866	112.00	45.25	54.00	773
LAVA 12310	\$8,550	122.4	17,520	112.00	45.25	54.00	779
LAVA 12312	\$8,890	130.3	17,148	112.00	45.25	54.00	792
LAVA 12408	\$10,460	130.5	17,164	112.00	45.25	54.00	830
LAVA 12410	\$10,900	139.4	16,628	112.00	45.25	54.00	838
LAVA 12412	\$11,330	144.6	16,050	112.00	45.25	54.00	855
LAVA 13210	\$11,940	142.6	27,453	166.00	45.25	54.00	1041
LAVA 13212	\$12,220	155.1	27,120	166.00	45.25	54.00	1060
LAVA 13308	\$12,490	176.6	26,799	166.00	45.25	54.00	1126
LAVA 13310	\$12,760	183.6	26,280	166.00	45.25	54.00	1135
LAVA 13312	\$13,200	195.4	25,722	166.00	45.25	54.00	1153
LAVA 13408	\$14,870	195.8	25,746	166.00	45.25	54.00	1210
LAVA 13410	\$15,470	209.1	24,942	166.00	45.25	54.00	1223
LAVA 13412	\$16,090	217.0	24,075	166.00	45.25	54.00	1247
LAVA 14308	\$16,740	223.6	35,732	220.00	45.25	54.00	1437
LAVA 14310	\$16,890	244.9	35,040	220.00	45.25	54.00	1449
LAVA 14312	\$17,560	260.6	34,296	220.00	45.25	54.00	1474
LAVA 14408	\$19,830	261.1	34,328	220.00	45.25	54.00	1550
LAVA 14410	\$20,330	278.8	33,256	220.00	45.25	54.00	1566
LAVA 14412	\$21,400	289.2	32,100	220.00	45.25	54.00	1599
LAVA 15308	\$23,780	279.5	44,665	274.00	45.25	58.50	2020
LAVA 15310	\$24,130	306.1	43,800	274.00	45.25	58.50	2,035
LAVA 15312	\$24,470	325.7	42,870	274.00	45.25	58.50	2066
LAVA 15408	\$24,800	326.4	42,910	274.00	45.25	58.50	2160
LAVA 15410	\$25,840	348.5	41,570	274.00	45.25	58.50	2181
LAVA 15412	\$26,890	361.5	40,125	274.00	45.25	58.50	2222
LEVA 16308	\$27,890	335.3	53,598	328.00	45.25	58.50	2554
LEVA 16310	\$28,310	367.3	52,560	328.00	45.25	58.50	2573
LEVA 16312	\$28,720	390.9	51,444	328.00	45.25	58.50	2610
LEVA 16408	\$29,130	391.6	51,492	328.00	45.25	58.50	2784
LEVA 16410	\$29,550	418.2	49,884	328.00	45.25	58.50	2808
LEVA 16412	\$29,950	433.8	48,150	328.00	45.25	58.50	2858

LEVITOR II AIR COOLED CONDENSER

1 H.P. 850 RPM

MODEL	List Price	THR in MBH (000) @ 10° TD R-22		DIMENSIONS (IN)			SHIPPING WGT. (LBS)
		AIR FLOW (CFM)		L	W	H	
Two Fans Wide 30"							
LAVA 22208	\$15,570	169.8	37,040	112.00	90.50	54.00	1311
LAVA 22210	\$15,840	190.2	36,604	112.00	90.50	54.00	1320
LAVA 22212	\$16,120	206.8	36,160	112.00	90.50	54.00	1336
LAVA 22308	\$16,660	223.6	35,732	112.00	90.50	54.00	1437
LAVA 22310	\$17,010	244.9	35,040	112.00	90.50	54.00	1425
LAVA 22312	\$17,680	260.6	34,296	112.00	90.50	54.00	1462
LAVA 22408	\$20,800	261.1	34,328	112.00	90.50	54.00	1539
LAVA 22410	\$21,680	278.8	33,256	112.00	90.50	54.00	1555
LAVA 22412	\$22,530	289.2	32,100	112.00	90.50	54.00	1588
LAVA 23210	\$23,750	285.3	54,906	166.00	90.50	54.00	1875
LAVA 23212	\$24,300	310.3	54,240	166.00	90.50	54.00	1912
LAVA 23308	\$24,840	335.3	53,598	166.00	90.50	54.00	2044
LAVA 23310	\$25,370	367.3	52,560	166.00	90.50	54.00	2063
LAVA 23312	\$26,260	390.9	51,444	166.00	90.50	54.00	2100
LAVA 23408	\$30,000	391.6	51,492	166.00	90.50	54.00	2214
LAVA 23410	\$30,780	418.2	49,884	166.00	90.50	54.00	2238
LAVA 23412	\$32,010	433.8	48,150	166.00	90.50	54.00	2287
LAVA 24308	\$33,310	447.1	71,464	220.00	90.50	54.00	2526
LAVA 24310	\$33,610	489.7	70,080	220.00	90.50	54.00	2651
LAVA 24312	\$34,920	521.1	68,592	220.00	90.50	54.00	2700
LAVA 24408	\$39,440	522.2	68,656	220.00	90.50	54.00	2851
LAVA 24410	\$40,430	557.6	66,512	220.00	90.50	54.00	2884
LAVA 24412	\$42,570	578.4	64,200	220.00	90.50	54.00	2950
LAVA 25308	\$47,310	558.9	89,300	274.00	90.50	58.50	3725
LAVA 25310	\$48,000	612.2	87,600	274.00	90.50	58.50	3755
LAVA 25312	\$48,680	651.4	85,740	274.00	90.50	58.50	3817
LAVA 25408	\$49,340	652.7	85,820	274.00	90.50	58.50	4005
LAVA 25410	\$51,400	697.1	83,140	274.00	90.50	58.50	4046
LAVA 25412	\$53,490	723.0	80,250	274.00	90.50	58.50	4129
LEVA 26308	\$55,510	670.7	107,196	328.00	90.50	58.50	4759
LEVA 26310	\$56,320	734.6	105,120	328.00	90.50	58.50	4796
LEVA 26312	\$57,140	781.6	102,888	328.00	90.50	58.50	4870
LEVA 26408	\$57,970	783.3	102,984	328.00	90.50	58.50	5218
LEVA 26410	\$58,780	836.5	99,768	328.00	90.50	58.50	5268
LEVA 26412	\$59,600	867.6	96,300	328.00	90.50	58.50	5366

LEVITOR II AIR COOLED CONDENSER

1-1/2 H.P. 850 RPM

MODEL	List Price	AIR FLOW		DIMENSIONS (IN)			SHIPPING
		THR in MBH (000) @ 10° TD R-22	(CFM)	L	W	H	WGT. (LBS)
One Fan Wide 30"							
LAVC 11208	\$5,500	46.2	10,967	58.00	45.25	54.00	437
LAVC 11210	\$5,560	51.5	10,682	58.00	45.25	54.00	439
LAVC 11212	\$5,630	55.6	10,409	58.00	45.25	54.00	444
LAVC 11308	\$5,950	60.1	10,159	58.00	45.25	54.00	466
LAVC 11310	\$6,030	65.3	9,785	58.00	45.25	54.00	469
LAVC 11312	\$6,090	69.1	9,441	58.00	45.25	54.00	478
LAVC 11408	\$6,160	69.4	9,449	58.00	45.25	54.00	495
LAVC 11410	\$6,230	73.7	9,031	58.00	45.25	54.00	499
LAVC 11412	\$6,300	76.3	8,660	58.00	45.25	54.00	508
LAVC 12208	\$7,830	92.3	21,934	112.00	45.25	54.00	718
LAVC 12210	\$7,970	102.9	21,364	112.00	45.25	54.00	721
LAVC 12212	\$8,100	111.3	20,818	112.00	45.25	54.00	729
LAVC 12308	\$8,380	120.3	20,318	112.00	45.25	54.00	773
LAVC 12310	\$8,550	130.7	19,570	112.00	45.25	54.00	779
LAVC 12312	\$8,890	138.2	18,882	112.00	45.25	54.00	792
LAVC 12408	\$10,460	138.8	18,898	112.00	45.25	54.00	830
LAVC 12410	\$10,900	147.3	18,062	112.00	45.25	54.00	838
LAVC 12412	\$11,330	152.5	17,320	112.00	45.25	54.00	855
LAVC 13210	\$11,940	154.3	32,046	166.00	45.25	54.00	1041
LAVC 13212	\$12,220	166.9	31,227	166.00	45.25	54.00	1060
LAVC 13308	\$12,490	180.4	30,477	166.00	45.25	54.00	1126
LAVC 13310	\$12,760	196.0	29,355	166.00	45.25	54.00	1135
LAVC 13312	\$13,200	207.3	28,323	166.00	45.25	54.00	1153
LAVC 13408	\$14,870	208.1	28,347	166.00	45.25	54.00	1210
LAVC 13410	\$15,470	221.0	27,093	166.00	45.25	54.00	1223
LAVC 13412	\$16,090	238.7	25,908	166.00	45.25	54.00	1247
LAVC 14308	\$16,740	240.5	40,636	220.00	45.25	54.00	1437
LAVC 14310	\$16,890	261.3	39,140	220.00	45.25	54.00	1449
LAVC 14312	\$17,560	276.3	37,764	220.00	45.25	54.00	1474
LAVC 14408	\$19,830	277.5	37,796	220.00	45.25	54.00	1550
LAVC 14410	\$20,330	294.6	36,124	220.00	45.25	54.00	1566
LAVC 14412	\$21,400	305.0	34,640	220.00	45.25	54.00	1599
LAVC 15308	\$23,780	300.6	25,998	274.00	45.25	58.50	2020
LAVC 15310	\$24,130	326.7	28,247	274.00	45.25	58.50	2035
LAVC 15312	\$24,470	345.5	29,861	274.00	45.25	58.50	2066
LAVC 15408	\$24,800	346.9	30,005	274.00	45.25	58.50	2160
LAVC 15410	\$25,840	368.3	31,850	274.00	45.25	58.50	2181
LAVC 15412	\$26,890	381.3	32,974	274.00	45.25	58.50	2222
LEVC 16308	\$27,890	360.7	60,954	328.00	45.25	58.50	2554
LEVC 16310	\$28,310	392.1	57,710	328.00	45.25	58.50	2573
LEVC 16312	\$28,720	414.5	56,646	328.00	45.25	58.50	2610
LEVC 16408	\$29,130	416.3	56,694	328.00	45.25	58.50	2784
LEVC 16410	\$29,550	441.9	54,186	328.00	45.25	58.50	2808
LEVC 16412	\$29,950	457.5	51,960	328.00	45.25	58.50	2858

LEVITOR II AIR COOLED CONDENSER

1-1/2 H.P. 850 RPM

MODEL	List Price	AIR FLOW		DIMENSIONS (IN)			SHIPPING
		THR in MBH (000) @ 10° TD R-22	(CFM)	L	W	H	WGT. (LBS)
Two Fans Wide 30"							
LAVC 22208	\$15,570	184.7	43,868	112.00	90.50	54.00	1311
LAVC 22210	\$15,840	205.7	42,728	112.00	90.50	54.00	1320
LAVC 22212	\$16,120	222.5	41,636	112.00	90.50	54.00	1336
LAVC 22308	\$16,660	240.5	40,636	112.00	90.50	54.00	1437
LAVC 22310	\$17,010	261.3	39,140	112.00	90.50	54.00	1425
LAVC 22312	\$17,680	276.3	37,764	112.00	90.50	54.00	1462
LAVC 22408	\$20,800	277.5	37,796	112.00	90.50	54.00	1539
LAVC 22410	\$21,680	294.6	36,124	112.00	90.50	54.00	1555
LAVC 22412	\$22,530	305.0	34,640	112.00	90.50	54.00	1588
LAVC 23210	\$23,750	308.6	64,092	166.00	90.50	54.00	1875
LAVC 23212	\$24,300	333.7	62,454	166.00	90.50	54.00	1912
LAVC 23308	\$24,840	360.7	60,954	166.00	90.50	54.00	2044
LAVC 23310	\$25,370	392.1	58,710	166.00	90.50	54.00	2063
LAVC 23312	\$26,260	414.5	56,646	166.00	90.50	54.00	2100
LAVC 23408	\$30,000	416.3	56,694	166.00	90.50	54.00	2214
LAVC 23410	\$30,780	441.9	54,186	166.00	90.50	54.00	2238
LAVC 23412	\$32,010	457.5	51,960	166.00	90.50	54.00	2287
LAVC 24308	\$33,310	481.0	81,272	220.00	90.50	54.00	2526
LAVC 24310	\$33,610	522.7	78,280	220.00	90.50	54.00	2651
LAVC 24312	\$34,920	552.7	75,528	220.00	90.50	54.00	2700
LAVC 24408	\$39,440	555.1	75,592	220.00	90.50	54.00	2851
LAVC 24410	\$40,430	589.3	72,248	220.00	90.50	54.00	2884
LAVC 24412	\$42,570	610.0	69,280	220.00	90.50	54.00	2950
LAVC 25308	\$47,310	601.3	101,590	274.00	90.50	58.50	3725
LAVC 25310	\$48,000	653.4	97,850	274.00	90.50	58.50	3755
LAVC 25312	\$48,680	690.9	94,410	274.00	90.50	58.50	3817
LAVC 25408	\$49,340	693.9	94,490	274.00	90.50	58.50	4005
LAVC 25410	\$51,400	736.5	90,310	274.00	90.50	58.50	4046
LAVC 25412	\$53,490	762.5	86,600	274.00	90.50	58.50	4129
LEVC 26308	\$55,510	721.5	121,908	328.00	90.50	58.50	4759
LEVC 26310	\$56,320	784.1	117,420	328.00	90.50	58.50	4796
LEVC 26312	\$57,140	829.1	113,292	328.00	90.50	58.50	4870
LEVC 26408	\$57,970	832.7	113,388	328.00	90.50	58.50	5218
LEVC 26410	\$58,780	883.9	108,372	328.00	90.50	58.50	5268
LEVC 26412	\$59,600	915.0	103,920	328.00	90.50	58.50	5366

LEVITOR II AIR COOLED CONDENSER

1/2 H.P. 575 RPM

MODEL	List Price	AIR FLOW		DIMENSIONS (IN)			SHIPPING
		THR in MBH (000) @ 10° TD R-22	(CFM)	L	W	H	WGT. (LBS)
One Fan Wide 30"							
LAVE 11208	\$5,500	33.2	6,480	58.00	45.25	54.00	437
LAVE 11210	\$5,560	37.2	6,420	58.00	45.25	54.00	439
LAVE 11212	\$5,630	40.4	6,360	58.00	45.25	54.00	444
LAVE 11308	\$5,950	43.8	6,300	58.00	45.25	54.00	466
LAVE 11310	\$6,030	47.9	6,200	58.00	45.25	54.00	469
LAVE 11312	\$6,090	50.6	6,100	58.00	45.25	54.00	478
LAVE 11408	\$6,160	53.1	6,105	58.00	45.25	54.00	495
LAVE 11410	\$6,230	55.9	5,975	58.00	45.25	54.00	499
LAVE 11412	\$6,300	58.1	5,835	58.00	45.25	54.00	508
LAVE 12208	\$7,830	66.5	12,960	112.00	45.25	54.00	718
LAVE 12210	\$7,970	74.4	12,840	112.00	45.25	54.00	721
LAVE 12212	\$8,100	80.9	12,720	112.00	45.25	54.00	729
LAVE 12308	\$8,380	87.5	12,600	112.00	45.25	54.00	773
LAVE 12310	\$8,550	95.8	12,400	112.00	45.25	54.00	779
LAVE 12312	\$8,890	101.2	12,200	112.00	45.25	54.00	792
LAVE 12408	\$10,460	106.3	12,260	112.00	45.25	54.00	830
LAVE 12410	\$10,900	111.7	11,950	112.00	45.25	54.00	838
LAVE 12412	\$11,330	116.3	11,670	112.00	45.25	54.00	855
LAVE 13210	\$11,940	111.5	19,260	166.00	45.25	54.00	1041
LAVE 13212	\$12,220	121.3	19,080	166.00	45.25	54.00	1060
LAVE 13308	\$12,490	138.1	18,900	166.00	45.25	54.00	1126
LAVE 13310	\$12,760	143.6	18,600	166.00	45.25	54.00	1135
LAVE 13312	\$13,200	152.0	18,300	166.00	45.25	54.00	1153
LAVE 13408	\$14,870	159.6	18,315	166.00	45.25	54.00	1210
LAVE 13410	\$15,470	167.6	17,925	166.00	45.25	54.00	1223
LAVE 13412	\$16,090	174.7	17,505	166.00	45.25	54.00	1247
LAVE 14308	\$16,740	174.8	25,200	220.00	45.25	54.00	1437
LAVE 14310	\$16,890	191.5	24,800	220.00	45.25	54.00	1449
LAVE 14312	\$17,560	202.4	24,400	220.00	45.25	54.00	1474
LAVE 14408	\$19,830	212.5	24,420	220.00	45.25	54.00	1550
LAVE 14410	\$20,330	223.4	23,900	220.00	45.25	54.00	1566
LAVE 14412	\$21,400	233.1	23,340	220.00	45.25	54.00	1599
LAVE 15308	\$23,780	231.9	31,500	274.00	45.25	58.50	2020
LAVE 15310	\$24,130	254.0	31,000	274.00	45.25	58.50	2035
LAVE 15312	\$24,470	270.3	30,500	274.00	45.25	58.50	2066
LAVE 15408	\$24,800	270.9	30,525	274.00	45.25	58.50	2160
LAVE 15410	\$25,840	289.8	28,875	274.00	45.25	58.50	2181
LAVE 15412	\$26,890	300.3	29,175	274.00	45.25	58.50	2222
LEVE 16308	\$27,890	278.4	37,800	328.00	45.25	58.50	2554
LEVE 16310	\$28,310	304.9	37,200	328.00	45.25	58.50	2573
LEVE 16312	\$28,720	324.5	36,600	328.00	45.25	58.50	2610
LEVE 16408	\$29,130	325.1	36,630	328.00	45.25	58.50	2784
LEVE 16410	\$29,550	347.8	35,850	328.00	45.25	58.50	2808
LEVE 16412	\$29,950	360.4	35,010	328.00	45.25	58.50	2858

LEVITOR II AIR COOLED CONDENSER

1/2 H.P. 575 RPM

MODEL	List Price	AIR FLOW		DIMENSIONS (IN)			SHIPPING
		THR in MBH (000) @ 10° TD R-22	(CFM)	L	W	H	WGT. (LBS)
Two Fans Wide 30"							
LAVE 22208	\$15,570	133.0	25,920	112.00	90.50	54.00	1311
LAVE 22210	\$15,840	148.8	25,680	112.00	90.50	54.00	1320
LAVE 22212	\$16,120	161.8	25,440	112.00	90.50	54.00	1336
LAVE 22308	\$16,660	175.0	25,200	112.00	90.50	54.00	1437
LAVE 22310	\$17,010	191.6	24,800	112.00	90.50	54.00	1425
LAVE 22312	\$17,680	202.4	24,400	112.00	90.50	54.00	1462
LAVE 22408	\$20,800	212.6	24,420	112.00	90.50	54.00	1539
LAVE 22410	\$21,680	223.4	27,900	112.00	90.50	54.00	1555
LAVE 22412	\$22,530	232.6	23,340	112.00	90.50	54.00	1588
LAVE 23210	\$23,750	223.0	38,520	166.00	90.50	54.00	1875
LAVE 23212	\$24,300	242.6	38,160	166.00	90.50	54.00	1912
LAVE 23308	\$24,840	276.2	37,800	166.00	90.50	54.00	2044
LAVE 23310	\$25,370	287.2	37,200	166.00	90.50	54.00	2063
LAVE 23312	\$26,260	304.0	36,600	166.00	90.50	54.00	2100
LAVE 23408	\$30,000	319.2	36,630	166.00	90.50	54.00	2214
LAVE 23410	\$30,780	335.2	35,950	166.00	90.50	54.00	2238
LAVE 23412	\$32,010	349.4	35,010	166.00	90.50	54.00	2287
LAVE 24308	\$33,310	349.6	50,400	220.00	90.50	54.00	2526
LAVE 24310	\$33,610	383.0	49,600	220.00	90.50	54.00	2651
LAVE 24312	\$34,920	404.8	48,800	220.00	90.50	54.00	2700
LAVE 24408	\$39,440	425.0	48,840	220.00	90.50	54.00	2851
LAVE 24410	\$40,430	446.8	47,800	220.00	90.50	54.00	2884
LAVE 24412	\$42,570	466.2	46,680	220.00	90.50	54.00	2950
LAVE 25308	\$47,310	463.8	63,000	274.00	90.50	58.50	3725
LAVE 25310	\$48,000	508.0	62,000	274.00	90.50	58.50	3755
LAVE 25312	\$48,680	540.6	61,000	274.00	90.50	58.50	3817
LAVE 25408	\$49,340	541.8	61,050	274.00	90.50	58.50	4005
LAVE 25410	\$51,400	579.6	59,750	274.00	90.50	58.50	4046
LAVE 25412	\$53,490	600.6	58,350	274.00	90.50	58.50	4129
LEVE 26308	\$55,510	556.8	75,600	328.00	90.50	58.50	4759
LEVE 26310	\$56,320	609.8	74,400	328.00	90.50	58.50	4796
LEVE 26312	\$57,140	649.0	73,200	328.00	90.50	58.50	4870
LEVE 26408	\$57,970	650.2	73,260	328.00	90.50	58.50	5218
LEVE 26410	\$58,780	695.6	71,700	328.00	90.50	58.50	5268
LEVE 26412	\$59,600	720.8	70,020	328.00	90.50	58.50	5366

LEVITOR II AIR COOLED CONDENSER

1-1/2 H.P. 1140 RPM

MODEL	List Price	AIR FLOW		DIMENSIONS (IN)			SHIPPING
		THR in MBH (000) @ 10° TD R-22	(CFM)	L	W	H	WGT. (LBS)
One Fan Wide 30"							
LAVF 11208	\$5,500	47.5	11,649	58.00	45.25	54.00	437
LAVF 11210	\$5,560	53.4	11,541	58.00	45.25	54.00	439
LAVF 11212	\$5,630	58.3	11,430	58.00	45.25	54.00	444
LAVF 11308	\$5,950	63.8	11,323	58.00	45.25	54.00	466
LAVF 11310	\$6,030	70.3	11,147	58.00	45.25	54.00	469
LAVF 11312	\$6,090	75.5	10,969	58.00	45.25	54.00	478
LAVF 11408	\$6,160	76.0	10,974	58.00	45.25	54.00	495
LAVF 11410	\$6,230	82.3	10,730	58.00	45.25	54.00	499
LAVF 11412	\$6,300	86.7	10,486	58.00	45.25	54.00	508
LAVF 12208	\$7,830	95.1	23,298	112.00	45.25	54.00	718
LAVF 12210	\$7,970	106.8	23,082	112.00	45.25	54.00	721
LAVF 12212	\$8,100	116.5	22,860	112.00	45.25	54.00	729
LAVF 12308	\$8,380	127.6	22,646	112.00	45.25	54.00	773
LAVF 12310	\$8,550	140.7	22,294	112.00	45.25	54.00	779
LAVF 12312	\$8,890	150.9	21,938	112.00	45.25	54.00	792
LAVF 12408	\$10,460	152.1	21,948	112.00	45.25	54.00	830
LAVF 12410	\$10,900	164.5	21,460	112.00	45.25	54.00	838
LAVF 12412	\$11,330	173.3	20,972	112.00	45.25	54.00	855
LAVF 13210	\$11,940	160.3	34,623	166.00	45.25	54.00	1041
LAVF 13212	\$12,220	174.8	34,290	166.00	45.25	54.00	1060
LAVF 13308	\$12,490	191.4	33,969	166.00	45.25	54.00	1126
LAVF 13310	\$12,760	211.1	33,441	166.00	45.25	54.00	1135
LAVF 13312	\$13,200	226.3	32,907	166.00	45.25	54.00	1153
LAVF 13408	\$14,870	228.1	32,922	166.00	45.25	54.00	1210
LAVF 13410	\$15,470	246.7	32,190	166.00	45.25	54.00	1223
LAVF 13412	\$16,090	259.9	31,458	166.00	45.25	54.00	1247
LAVF 14308	\$16,740	255.3	45,292	220.00	45.25	54.00	1437
LAVF 14310	\$16,890	281.4	44,588	220.00	45.25	54.00	1449
LAVF 14312	\$17,560	301.7	43,876	220.00	45.25	54.00	1474
LAVF 14408	\$19,830	304.1	43,896	220.00	45.25	54.00	1550
LAVF 14410	\$20,330	329.0	42,920	220.00	45.25	54.00	1566
LAVF 14412	\$21,400	346.5	41,944	220.00	45.25	54.00	1599
LAVF 15308	\$23,780	319.1	56,615	274.00	45.25	58.50	2020
LAVF 15310	\$24,130	351.8	55,735	274.00	45.25	58.50	2035
LAVF 15312	\$24,470	377.2	54,845	274.00	45.25	58.50	2066
LAVF 15408	\$24,800	380.1	54,870	274.00	45.25	58.50	2160
LAVF 15410	\$25,840	411.3	53,650	274.00	45.25	58.50	2181
LAVF 15412	\$26,890	433.2	52,430	274.00	45.25	58.50	2222
LEVf 16308	\$27,890	382.9	67,938	328.00	45.25	58.50	2554
LEVf 16310	\$28,310	422.1	66,882	328.00	45.25	58.50	2573
LEVf 16312	\$28,720	452.6	65,814	328.00	45.25	58.50	2610
LEVf 16408	\$29,130	456.2	65,844	328.00	45.25	58.50	2784
LEVf 16410	\$29,550	493.5	64,380	328.00	45.25	58.50	2808
LEVf 16412	\$29,950	519.8	62,916	328.00	45.25	58.50	2858

LEVITOR II AIR COOLED CONDENSER

1-1/2 H.P. 1140 RPM

MODEL	List Price	AIR FLOW		DIMENSIONS (IN)			SHIPPING
		THR in MBH (000) @ 10° TD R-22	(CFM)	L	W	H	WGT. (LBS)
Two Fans Wide 30"							
LAVF 22208	\$15,570	190.2	46,556	112.00	90.50	54.00	1311
LAVF 22210	\$15,840	213.7	45,824	112.00	90.50	54.00	1320
LAVF 22212	\$16,120	233.1	45,096	112.00	90.50	54.00	1336
LAVF 22308	\$16,660	255.3	44,412	112.00	90.50	54.00	1437
LAVF 22310	\$17,010	281.4	43,364	112.00	90.50	54.00	1425
LAVF 22312	\$17,680	301.7	42,344	112.00	90.50	54.00	1462
LAVF 22408	\$20,800	304.1	42,376	112.00	90.50	54.00	1539
LAVF 22410	\$21,680	329.0	41,056	112.00	90.50	54.00	1555
LAVF 22412	\$22,530	346.5	39,808	112.00	90.50	54.00	1588
LAVF 23210	\$23,750	320.5	68,736	166.00	90.50	54.00	1875
LAVF 23212	\$24,300	349.6	67,644	166.00	90.50	54.00	1912
LAVF 23308	\$24,840	382.9	66,618	166.00	90.50	54.00	2044
LAVF 23310	\$25,370	442.1	65,046	166.00	90.50	54.00	2063
LAVF 23312	\$26,260	452.6	63,516	166.00	90.50	54.00	2100
LAVF 23408	\$30,000	456.2	63,564	166.00	90.50	54.00	2214
LAVF 23410	\$30,780	493.5	61,584	166.00	90.50	54.00	2238
LAVF 23412	\$32,010	519.8	59,712	166.00	90.50	54.00	2287
LAVF 24308	\$33,310	510.5	88,824	220.00	90.50	54.00	2526
LAVF 24310	\$33,610	562.9	86,728	220.00	90.50	54.00	2651
LAVF 24312	\$34,920	603.5	84,688	220.00	90.50	54.00	2700
LAVF 24408	\$39,440	608.3	84,752	220.00	90.50	54.00	2851
LAVF 24410	\$40,430	658.0	82,112	220.00	90.50	54.00	2884
LAVF 24412	\$42,570	693.1	79,616	220.00	90.50	54.00	2950
LAVF 25308	\$47,310	638.1	111,030	274.00	90.50	58.50	3725
LAVF 25310	\$48,000	703.5	108,410	274.00	90.50	58.50	3755
LAVF 25312	\$48,680	754.4	105,860	274.00	90.50	58.50	3817
LAVF 25408	\$49,340	760.3	105,940	274.00	90.50	58.50	4005
LAVF 25410	\$51,400	822.5	102,640	274.00	90.50	58.50	4046
LAVF 25412	\$53,490	866.3	99,520	274.00	90.50	58.50	4129
LEVf 26308	\$55,510	765.7	133,236	328.00	90.50	58.50	4759
LEVf 26310	\$56,320	884.3	130,092	328.00	90.50	58.50	4796
LEVf 26312	\$57,140	905.3	127,032	328.00	90.50	58.50	4870
LEVf 26408	\$57,970	912.4	127,128	328.00	90.50	58.50	5218
LEVf 26410	\$58,780	986.9	123,168	328.00	90.50	58.50	5268
LEVf 26412	\$59,600	1,039.6	119,424	328.00	90.50	58.50	5366

LEVITOR II AIR COOLED CONDENSER

1-1/2 H.P. 1050 RPM EC Motors

MODEL	List Price (includes EC motors)	AIR FLOW		DIMENSIONS (IN)			SHIPPING
		THR in MBH (000) @ 10° TD R-22	(CFM)	L	W	H	WGT. (LBS)
One Fan Wide 30"							
LAVG 11208	\$8,950	47.5	11,649	58.00	45.25	54.00	437
LAVG 11210	\$9,010	53.4	11,541	58.00	45.25	54.00	439
LAVG 11212	\$9,080	58.3	11,430	58.00	45.25	54.00	444
LAVG 11308	\$9,400	63.8	11,323	58.00	45.25	54.00	466
LAVG 11310	\$9,480	70.3	11,147	58.00	45.25	54.00	469
LAVG 11312	\$9,540	75.5	10,969	58.00	45.25	54.00	478
LAVG 11408	\$9,610	76.0	10,974	58.00	45.25	54.00	495
LAVG 11410	\$9,680	82.3	10,730	58.00	45.25	54.00	499
LAVG 11412	\$9,750	86.7	10,486	58.00	45.25	54.00	508
LAVG 12208	\$14,730	95.1	23,298	112.00	45.25	54.00	718
LAVG 12210	\$14,870	106.8	23,082	112.00	45.25	54.00	721
LAVG 12212	\$15,000	116.5	22,860	112.00	45.25	54.00	729
LAVG 12308	\$15,280	127.6	22,646	112.00	45.25	54.00	773
LAVG 12310	\$15,450	140.7	22,294	112.00	45.25	54.00	779
LAVG 12312	\$15,790	150.9	21,938	112.00	45.25	54.00	792
LAVG 12408	\$17,360	152.1	21,948	112.00	45.25	54.00	830
LAVG 12410	\$17,800	164.5	21,460	112.00	45.25	54.00	838
LAVG 12412	\$18,230	173.3	20,972	112.00	45.25	54.00	855
LAVG 13210	\$22,290	160.3	34,623	166.00	45.25	54.00	1041
LAVG 13212	\$22,570	174.8	34,290	166.00	45.25	54.00	1060
LAVG 13308	\$22,840	191.4	33,969	166.00	45.25	54.00	1126
LAVG 13310	\$23,110	211.1	33,441	166.00	45.25	54.00	1135
LAVG 13312	\$23,550	226.3	32,907	166.00	45.25	54.00	1153
LAVG 13408	\$25,220	228.1	32,922	166.00	45.25	54.00	1210
LAVG 13410	\$25,820	246.7	32,190	166.00	45.25	54.00	1223
LAVG 13412	\$26,440	259.9	31,458	166.00	45.25	54.00	1247
LAVG 14308	\$30,540	255.3	45,292	220.00	45.25	54.00	1437
LAVG 14310	\$30,690	281.4	44,588	220.00	45.25	54.00	1449
LAVG 14312	\$31,360	301.7	43,876	220.00	45.25	54.00	1474
LAVG 14408	\$33,630	304.1	43,896	220.00	45.25	54.00	1550
LAVG 14410	\$34,130	329.0	42,920	220.00	45.25	54.00	1566
LAVG 14412	\$35,200	346.5	41,944	220.00	45.25	54.00	1599
LAVG 15308	\$41,030	319.1	56,615	274.00	45.25	58.50	2020
LAVG 15310	\$41,380	351.8	55,735	274.00	45.25	58.50	2035
LAVG 15312	\$41,720	377.2	54,845	274.00	45.25	58.50	2066
LAVG 15408	\$42,050	380.1	54,870	274.00	45.25	58.50	2160
LAVG 15410	\$43,090	411.3	53,650	274.00	45.25	58.50	2181
LAVG 15412	\$44,140	433.2	52,430	274.00	45.25	58.50	2222
LEVG 16308	\$48,590	382.9	67,938	328.00	45.25	58.50	2554
LEVG 16310	\$49,010	422.1	66,882	328.00	45.25	58.50	2573
LEVG 16312	\$49,420	452.6	65,814	328.00	45.25	58.50	2610
LEVG 16408	\$49,830	456.2	65,844	328.00	45.25	58.50	2784
LEVG 16410	\$50,250	493.5	64,380	328.00	45.25	58.50	2808
LEVG 16412	\$50,650	519.8	62,916	328.00	45.25	58.50	2858

LEVITOR II AIR COOLED CONDENSER

1-1/2 H.P. 1050 RPM EC Motors

MODEL	List Price (includes EC motors)	AIR FLOW		DIMENSIONS (IN)			SHIPPING
		THR in MBH (000) @ 10° TD R-22	(CFM)	L	W	H	WGT. (LBS)
Two Fans Wide 30"							
LAVG 22208	\$29,370	190.2	46,556	112.00	90.50	54.00	1311
LAVG 22210	\$29,640	213.7	45,824	112.00	90.50	54.00	1320
LAVG 22212	\$29,920	233.1	45,096	112.00	90.50	54.00	1336
LAVG 22308	\$30,460	255.3	44,412	112.00	90.50	54.00	1437
LAVG 22310	\$30,810	281.4	43,364	112.00	90.50	54.00	1425
LAVG 22312	\$31,480	301.7	42,344	112.00	90.50	54.00	1462
LAVG 22408	\$34,600	304.1	42,376	112.00	90.50	54.00	1539
LAVG 22410	\$35,480	329.0	41,056	112.00	90.50	54.00	1555
LAVG 22412	\$36,330	346.5	39,808	112.00	90.50	54.00	1588
LAVG 23210	\$44,450	320.5	68,736	166.00	90.50	54.00	1875
LAVG 23212	\$45,000	349.6	67,644	166.00	90.50	54.00	1912
LAVG 23308	\$45,540	382.9	66,618	166.00	90.50	54.00	2044
LAVG 23310	\$46,070	442.1	65,046	166.00	90.50	54.00	2063
LAVG 23312	\$46,960	452.6	63,516	166.00	90.50	54.00	2100
LAVG 23408	\$50,700	456.2	63,564	166.00	90.50	54.00	2214
LAVG 23410	\$51,480	493.5	61,584	166.00	90.50	54.00	2238
LAVG 23412	\$52,710	519.8	59,712	166.00	90.50	54.00	2287
LAVG 24308	\$60,910	510.5	88,824	220.00	90.50	54.00	2526
LAVG 24310	\$61,210	562.9	86,728	220.00	90.50	54.00	2651
LAVG 24312	\$62,520	603.5	84,688	220.00	90.50	54.00	2700
LAVG 24408	\$67,040	608.3	84,752	220.00	90.50	54.00	2851
LAVG 24410	\$68,030	658.0	82,112	220.00	90.50	54.00	2884
LAVG 24412	\$70,170	693.1	79,616	220.00	90.50	54.00	2950
LAVG 25308	\$81,810	638.1	111,030	274.00	90.50	58.50	3725
LAVG 25310	\$82,500	703.5	108,410	274.00	90.50	58.50	3755
LAVG 25312	\$83,180	754.4	105,860	274.00	90.50	58.50	3817
LAVG 25408	\$83,840	760.3	105,940	274.00	90.50	58.50	4005
LAVG 25410	\$85,900	822.5	102,640	274.00	90.50	58.50	4046
LAVG 25412	\$87,990	866.3	99,520	274.00	90.50	58.50	4129
LEVG 26308	\$96,910	765.7	133,236	328.00	90.50	58.50	4759
LEVG 26310	\$97,720	884.3	130,092	328.00	90.50	58.50	4796
LEVG 26312	\$98,540	905.3	127,032	328.00	90.50	58.50	4870
LEVG 26408	\$99,370	912.4	127,128	328.00	90.50	58.50	5218
LEVG 26410	\$100,180	986.9	123,168	328.00	90.50	58.50	5268
LEVG 26412	\$101,000	1,039.6	119,424	328.00	90.50	58.50	5366

LEVITOR II CONTROL PANELS

FAN CONFIGURATION	TF, PT, TP 311	TF, PT, TP 331	NC 411	NC 431	EC 461
	(G Model only)				
1 x 1	\$1,050	-	\$810	-	\$1,085
1 x 2	\$1,500	-	\$1,020	-	\$1,345
1 x 3	\$1,930	-	\$1,080	-	\$1,455
1 x 4	\$2,370	-	\$1,400	-	\$1,825
1 x 5	\$2,780	-	\$1,590	-	\$2,065
1 x 6	\$3,200	-	\$1,760	-	\$2,285
1 x 7	\$3,610	-	\$1,930	-	\$2,505
2 x 2	\$2,280	\$1,620	\$1,810	\$1,140	\$2,235
2 x 3	\$3,040	\$2,050	\$2,330	\$1,340	\$2,855
2 x 4	\$3,790	\$2,470	\$2,840	\$1,530	\$3,465
2 x 5	\$4,520	\$2,900	\$3,310	\$1,710	\$4,035
2 x 6	\$5,230	\$3,310	\$3,800	\$1,880	\$4,625
2 x 7	\$5,950	\$3,710	\$4,290	\$2,050	\$5,215

NOTE: The heading of each column is the last 3 numbers in the Control Panel Nomenclature

Control Description

Model 311
Individual Fuses & Cotnactors, plus Fan Cycling

Model 331
Fuses & Contactors per Pair of Fans, plus Fan Cycle Controls

Model 411
No Fan Cycle Controls, Individual Fuses and Contactors

Model 431
No Fan Cycle Controls, Fuses and Contactors per Pair of Fans

Model 461
EC Motors, speed controlled by Pressure, fuses per motor

Option Particular

50% Reduction (2x Only)
50/50 Split (2x Only)
Phase Loss Monitor
Circuit Breakers: Per Breaker
NEMA Contactor: Per Contactor
Mounted Non-Fused Disconnect
Mounted Fused Disconnect
PV, Variable Speed (1x Only)
PV, Variable Speed (2x Only)
Inverter Ready Motor (LAVA, LEVA, LAVF, LEVF Models only) per

Relay Boards

Backup T-Stat
ALTECH
COMTRON RELAY BOARD
CPC-8RO RELAY BOARD
EIL RELAY BOARD
DANFOSS RELAY BOARD

Options

Add
\$240
Two 1 x Panel
\$900
\$370
\$320
\$1,500
\$1,680
\$1,270
\$2,140
\$250
\$280
\$2,700
\$2,210
\$2,210
\$2,210
\$2,210

Prices and Specifications Subject to Change Without Notice.

NOTE: For panels without fuses, consult factory.
Contact factory for pricing of Electronic Controllers and Relay Boards

LEVITOR II CONTROL PANEL NOMENCLATURE

PT A 2 6 M B 3 3 1 N **Actual Part Number (PTA26MB331N)**

**Ambient Air Sensor for Split
(50% winter reduction)**
T = Sensor Provided
N = Sensor Not Required

Type of Application

- 1 = Standard
- 2 = 50% Winter Reduction (Split Condenser)
- 3 = 50/50 Split Dual Panel (for Two Indep. Slabs)
- 4 = No Control Operation (Terminal Blocks Only)

Fuses & Breakers

- 1 = Individual Fuses & Contactors
- 2 = Individual Circuit Breakers & Contactors per each Fan
- 3 = Fuses & Contactors per Pair of Fans
- 4 = Terminal Blocks Only
- 5 = Circuit Breaker & Contactor per Pair of Fans
- 6 = Fuses per motor

Control Manufacturer

- 1 = Johnson Mechanical
- 3 = Johnson Electronic
- 4 = No Controls

Control Voltage

- A = 208/230V
- B = 115V
- C = No Control Voltage
- D = 24V
- E = 208/230V w/o Transformer
- F = 115V without Transformer
- G = No Control Voltage without Transformer
- H = 24V without Transformer

Power Voltage

- A = 208/230/1/60
- K = 208/230/3/60
- M = 460/3/60
- P = 550/575/3/60
- U = 380/3/50

Relay Board Controls

- NC = No Controls
- PT = Pressure Controls
- TF = Temp. Controls
- TP = Temperature and Pressure Control
- PV = Pressure Control w/Variable Speed
- TV = Temp. Control w/Variable Speed
- VN = No Controls w/Variable Speed
- EC = EC motors

Fan/Motor Combination

- A = 1 HP 850 RPM 30"
- B = 1/2 HP 1140 RPM 24"
- C = 1-1/2 HP 850 RPM 30"
- E = 1/2 HP 575 RPM 30"
- F = 1-1/2 HP 1140 RPM 30"
- G = 1 1/2 HP 1050 RPM 30"

Fans Wide

1 or 2

Fans In Line

1 to 6 (7 on B models)

LEVITOR II AIR COOLED CONDENSERS

LEVITOR II OPTIONS

LEG OPTIONS * Except LAVB

FAN CONFIGURATION	15" LEGS	22" LEGS	30" LEGS	36" LEGS	42" LEGS	48" LEGS	60" LEGS
1 x 1	N/C	STD	\$160	\$160	\$160	\$1,170	\$1,690
1 x 2	N/C	STD	\$160	\$160	\$160	\$1,750	\$2,530
1 x 3	N/C	STD	\$160	\$160	\$160	\$2,340	\$3,370
1 x 4	N/C	STD	\$240	\$240	\$240	\$2,920	\$4,210
1 x 5	N/C	STD	\$310	\$310	\$320	\$3,490	\$5,050
1 x 6	N/C	STD	\$310	\$310	\$320	\$4,080	\$5,890
2 x 2	N/C	STD	\$160	\$160	\$160	\$1,750	\$2,530
2 x 3	N/C	STD	\$310	\$310	\$320	\$2,340	\$3,370
2 x 4	N/C	STD	\$240	\$240	\$240	\$2,920	\$4,210
2 x 5	N/C	STD	\$310	\$310	\$320	\$3,490	\$5,050
2 x 6	N/C	STD	\$310	\$310	\$320	\$4,080	\$5,890

LAVB comes w/18" legs only

CONDENSER WITH FACTORY INSTALLED RECEIVER

VALVE

MODEL/CONDENSER SIZE	RECEIVER LIST		HEATED AND INSULATED RECEIVER LIST	
	ADD	RECEIVER SIZE		
LAVB	1x1	\$4,670	10.750" x 48"	\$1,170
	1x2	\$5,640	10.750" x 60"	\$1,490
	1x3	\$6,230	10.750" x 60"	\$1,490
	1x4	\$7,130	10.750" x 60"	\$1,640
	1x5	\$9,480	10.750" x 60"	\$1,790
	1x6	\$10,380	10.750" x 60"	\$1,790
	1x7	\$11,060	12.750" x 72"	\$1,790
LAVB 1 RECEIVER	2x2	\$7,650	(1) 10.750" x 60"	\$1,630
	2x3	\$8,430	(1) 10.750" x 60"	\$1,630
	2x4	\$10,120	(1) 12.750" x 72"	\$1,870
	2x5	\$12,830	(1) 12.750" x 72"	\$1,870
	2x6	\$14,000	(1) 12.750" x 72"	\$1,990
	2x7	\$15,750	(1) 12.750" x 72"	\$1,990
LAVB 2 RECEIVERS	2x2	\$10,150	(2) 10.750" x 60"	\$2,920
	2x3	\$11,200	(2) 10.750" x 60"	\$2,920
	2x4	\$12,830	(2) 10.750" x 60"	\$3,270
	2x5	\$17,030	(2) 10.750" x 60"	\$3,270
	2x6	\$18,660	(2) 10.750" x 60"	\$3,570
	2x7	\$19,830	(2) 12.750" x 72"	\$3,570
L_V()	1x1	\$7,000	10.750" x 60"	\$1,170
	1x2	\$7,410	10.750" x 60"	\$1,640
	1x3	\$8,900	10.750" x 60"	\$1,640
	1x4	\$10,380	10.750" x 60"	\$1,790
	1x5	\$11,870	12.750" x 72"	\$1,930
	1x6	\$13,350	12.750" x 72"	\$2,080
L_V() 1 RECEIVER	2x2	\$11,400	(1) 10.750" x 60"	\$1,790
	2x3	\$12,830	(1) 12.750" x 72"	\$1,930
	2x4	\$14,250	(1) 12.750" x 72"	\$1,930
	2x5	\$15,770	(1) 12.750" x 72"	\$2,080
	2x6	\$17,190	(1) 12.750" x 72"	\$2,230
L_V() 2 RECEIVERS	2x2	\$13,350	(2) 10.750" x 60"	\$2,970
	2x3	\$16,310	(2) 10.750" x 60"	\$3,270
	2x4	\$19,280	(2) 10.750" x 60"	\$3,570
	2x5	\$22,240	(2) 12.750" x 72"	\$3,860
	2x6	\$25,210	(2) 12.750" x 72"	\$4,160

_ A or E

() A, C, E, F

PRICES AND SPECIFICATIONS SUBJECT TO CHANGE WITHOUT NOTICE

FAN CONFIGURATION	HINGED FAN PANEL	GRAVITY DAMPERS
1 x 1	\$325	\$610
1 x 2	\$650	\$1,220
1 x 3	\$975	\$1,830
1 x 4	\$1,300	\$2,440
1 x 5	\$1,625	\$3,050
1 x 6	\$1,950	\$3,660
1 x 7	\$2,275	\$4,270
2 x 2	\$1,300	\$2,440
2 x 3	\$1,950	\$3,660
2 x 4	\$2,600	\$4,880
2 x 5	\$3,250	\$6,100
2 x 6	\$3,900	\$7,320
2 x 7	\$4,550	\$8,540

Levitor Painted Housing Option

FAN CONFIGURATION	Painted Housing List Add
1 x 1	\$3,220
1 x 2	\$4,740
1 x 3	\$6,530
1 x 4	\$8,000
1 x 5	\$10,580
1 x 6	\$12,810
2 x 2	\$8,160
2 x 3	\$11,270
2 x 4	\$14,060
2 x 5	\$19,270
2 x 6	\$22,480

LEVITOR II COATING OPTION PRICING FOR ALL MODELS (EXCEPT B)

Model	Single Wide Units			Model	Double Wide Units		
	Standard	Epoxy Electro-Fin & Herisite	Polyester Fin		Standard	Epoxy Electro-Fin	Polyester Fin
	List Price	Coating	Coating		List Price	Coating Adder	Coating Adder
11208	\$5,500	\$2,340	\$830	-	-	-	-
11210	\$5,560	\$2,340	\$840	-	-	-	-
11212	\$5,630	\$2,340	\$850	-	-	-	-
11308	\$5,950	\$2,820	\$910	-	-	-	-
11310	\$6,030	\$2,820	\$920	-	-	-	-
11312	\$6,090	\$2,820	\$930	-	-	-	-
11408	\$6,160	\$3,110	\$940	-	-	-	-
11410	\$6,230	\$3,110	\$950	-	-	-	-
11412	\$6,300	\$3,110	\$960	-	-	-	-
12208	\$7,830	\$4,260	\$1,180	22208	\$15,570	\$8,500	\$2,350
12210	\$7,970	\$4,260	\$1,200	22210	\$15,840	\$8,500	\$2,390
12212	\$8,100	\$4,260	\$1,220	22212	\$16,120	\$8,500	\$2,420
12308	\$8,380	\$5,150	\$1,270	22308	\$16,660	\$10,280	\$2,510
12310	\$8,550	\$5,150	\$1,290	22310	\$17,010	\$10,280	\$2,560
12312	\$8,890	\$5,150	\$1,340	22312	\$17,680	\$10,280	\$2,670
12408	\$10,460	\$5,650	\$1,570	22408	\$20,800	\$11,290	\$3,130
12410	\$10,900	\$5,650	\$1,650	22410	\$21,680	\$11,290	\$3,260
12412	\$11,330	\$5,650	\$1,710	22412	\$22,530	\$11,290	\$3,390
13210	\$11,940	\$6,160	\$1,800	23210	\$23,750	\$12,310	\$3,570
13212	\$12,220	\$6,160	\$1,840	23212	\$24,300	\$12,310	\$3,650
13308	\$12,490	\$7,450	\$1,880	23308	\$24,840	\$14,890	\$3,740
13310	\$12,760	\$7,450	\$1,920	23310	\$25,370	\$14,890	\$3,810
13312	\$13,200	\$7,450	\$1,990	23312	\$26,260	\$14,890	\$3,950
13408	\$14,870	\$8,200	\$2,240	23408	\$29,570	\$16,380	\$4,510
13410	\$15,470	\$8,200	\$2,330	23410	\$30,780	\$16,380	\$4,630
13412	\$16,090	\$8,200	\$2,420	23412	\$32,010	\$16,380	\$4,810
14308	\$16,740	\$9,760	\$2,520	24308	\$33,310	\$19,510	\$5,010
14310	\$16,890	\$9,760	\$2,540	24310	\$33,610	\$19,510	\$5,050
14312	\$17,560	\$9,760	\$2,640	24312	\$34,920	\$19,510	\$5,250
14408	\$19,830	\$10,730	\$2,980	24408	\$39,440	\$21,460	\$5,920
14410	\$20,330	\$10,730	\$3,060	24410	\$40,430	\$21,460	\$6,080
14412	\$21,400	\$10,730	\$3,220	24412	\$42,570	\$21,460	\$6,400
15308	\$23,780	\$12,080	\$3,580	25308	\$47,310	\$24,140	\$7,110
15310	\$24,130	\$12,080	\$3,630	25310	\$48,000	\$24,140	\$7,210
15312	\$24,470	\$12,080	\$3,680	25312	\$48,680	\$24,140	\$7,310
15408	\$24,800	\$13,280	\$3,730	25408	\$49,340	\$26,550	\$7,410
15410	\$25,840	\$13,280	\$3,880	25410	\$51,400	\$26,550	\$7,720
15412	\$26,890	\$13,280	\$4,040	25412	\$53,490	\$26,550	\$8,030
16308	\$27,890	\$14,380	\$4,190	26308	\$55,510	\$28,750	\$8,340
16310	\$28,310	\$14,380	\$4,260	26310	\$56,320	\$28,750	\$8,450
16312	\$28,720	\$14,380	\$4,320	26312	\$57,140	\$28,750	\$8,580
16408	\$29,130	\$15,810	\$4,380	26408	\$57,970	\$31,610	\$8,710
16410	\$29,550	\$15,810	\$4,450	26410	\$58,780	\$31,610	\$8,820
16412	\$29,950	\$15,810	\$4,500	26412	\$59,600	\$31,610	\$8,950

MICRO CHANNEL AIR COOLED CONDENSER

MODEL	List Price	AIR FLOW		DIMENSIONS (IN)			SHIPPING	REFRIGERANT CHARGE	
		THR in MBH (000) @ 10° TD R-404A	(CFM)	L	W	H*	WGT. (LBS)	SUMMER R- 404A (LBS)	WINTER R-404A (LBS) -20 F*
1/2 HP, 575 RPM*									
MXE-02	\$12,684	98.8	12,600	44.00	90.25	42.00	560	4	12
MXE-04	\$23,104	197.5	25,200	88.00	90.25	42.00	1,170	15	26
MXE-06	\$35,579	296.3	37,800	132.00	90.25	42.00	1,705	23	40
MXE-08	\$45,620	395.0	50,400	176.00	90.25	42.00	2,280	40	55
MXE-10	\$58,160	493.8	63,000	220.00	90.25	42.00	2,850	52	70
MXE-12	\$73,059	592.5	75,600	264.00	90.25	42.00	3,385	80	88
1 HP, 850 RPM									
MXA-02	\$12,684	145.2	20,800	44.00	90.25	42.00	560	4	12
MXA-04	\$23,104	290.3	41,600	88.00	90.25	42.00	1,170	15	26
MXA-06	\$35,579	435.5	62,400	132.00	90.25	42.00	1,705	23	40
MXA-08	\$45,620	580.7	83,200	176.00	90.25	42.00	2,280	40	55
MXA-10	\$58,160	725.8	104,000	220.00	90.25	42.00	2,850	52	70
MXA-12	\$73,059	871.0	124,800	264.00	90.25	42.00	3,385	80	88
1 1/2 HP, 850 RPM									
MXC-02	\$12,684	151.8	22,830	44.00	90.25	42.00	560	4	12
MXC-04	\$23,104	303.5	45,660	88.00	90.25	42.00	1,170	15	26
MXC-06	\$35,579	455.3	68,490	132.00	90.25	42.00	1,705	23	40
MXC-08	\$45,620	607.1	91,320	176.00	90.25	42.00	2,280	40	55
MXC-10	\$58,160	758.8	114,150	220.00	90.25	42.00	2,850	52	70
MXC-12	\$73,059	910.6	136,980	264.00	90.25	42.00	3,385	80	88
1 1/2 HP, 1140 RPM									
MXF-02	\$12,684	154.5	25,600	44.00	90.25	42.00	560	4	12
MXF-04	\$23,104	308.9	51,200	88.00	90.25	42.00	1,170	15	26
MXF-06	\$35,579	463.4	76,800	132.00	90.25	42.00	1,705	23	40
MXF-08	\$45,620	617.8	102,400	176.00	90.25	42.00	2,280	40	55
MXF-10	\$58,160	772.3	128,000	220.00	90.25	42.00	2,850	52	70
MXF-12	\$73,059	926.7	153,600	264.00	90.25	42.00	3,385	80	88
1 1/2 HP, 1050 RPM EC*									
MXG-02	\$19,584	154.5	25,600	44.00	90.25	42.00	560	4	12
MXG-04	\$36,904	308.9	51,200	88.00	90.25	42.00	1,170	15	26
MXG-06	\$56,279	463.4	76,800	132.00	90.25	42.00	1,705	23	40
MXG-08	\$73,220	617.8	102,400	176.00	90.25	42.00	2,280	40	55
MXG-10	\$92,660	772.3	128,000	220.00	90.25	42.00	2,850	52	70
MXG-12	\$114,459	926.7	153,600	264.00	90.25	42.00	3,385	80	88

***Note:**

Inverter ready motors not available on 575 rpm or EC motors
 Add 22" to height when ship loose legs are required
 Winter Flooding charge doesn't reflect module isolation valves
 Mounted receivers add 18" to height

MICRO CHANNEL CONTROL PANELS

FAN CONFIGURATION	TF, PT, TP 311	TF, PT, TP 331	NC 411	NC 431	TF,PT,TP 315	TF,PT,TP 335	NC 415	NC 435	EC 465	EC 461
									(G Model only)	(G Model only)
1 x 2	\$1,500	-	\$1,020	-	-	-	-	-	-	\$2,235
2 x 2	\$2,280	\$1,620	\$1,810	\$1,140	\$3,230	\$2,570	\$2,760	\$2,090	\$3,805	\$2,855
2 x 3	\$3,040	\$2,050	\$2,330	\$1,340	\$3,990	\$3,000	\$3,280	\$2,290	\$4,415	\$3,465
2 x 4	\$3,790	\$2,470	\$2,840	\$1,530	\$4,740	\$3,420	\$3,790	\$2,480	\$4,985	\$4,035
2 x 5	\$4,520	\$2,900	\$3,310	\$1,710	\$5,470	\$3,850	\$4,260	\$2,660	\$5,575	\$4,625
2 x 6	\$5,230	\$3,310	\$3,800	\$1,880	\$6,180	\$4,260	\$4,750	\$2,830	\$6,165	\$5,215

NOTE: The heading of each column is the last 3 numbers in the Control Panel Nomenclature

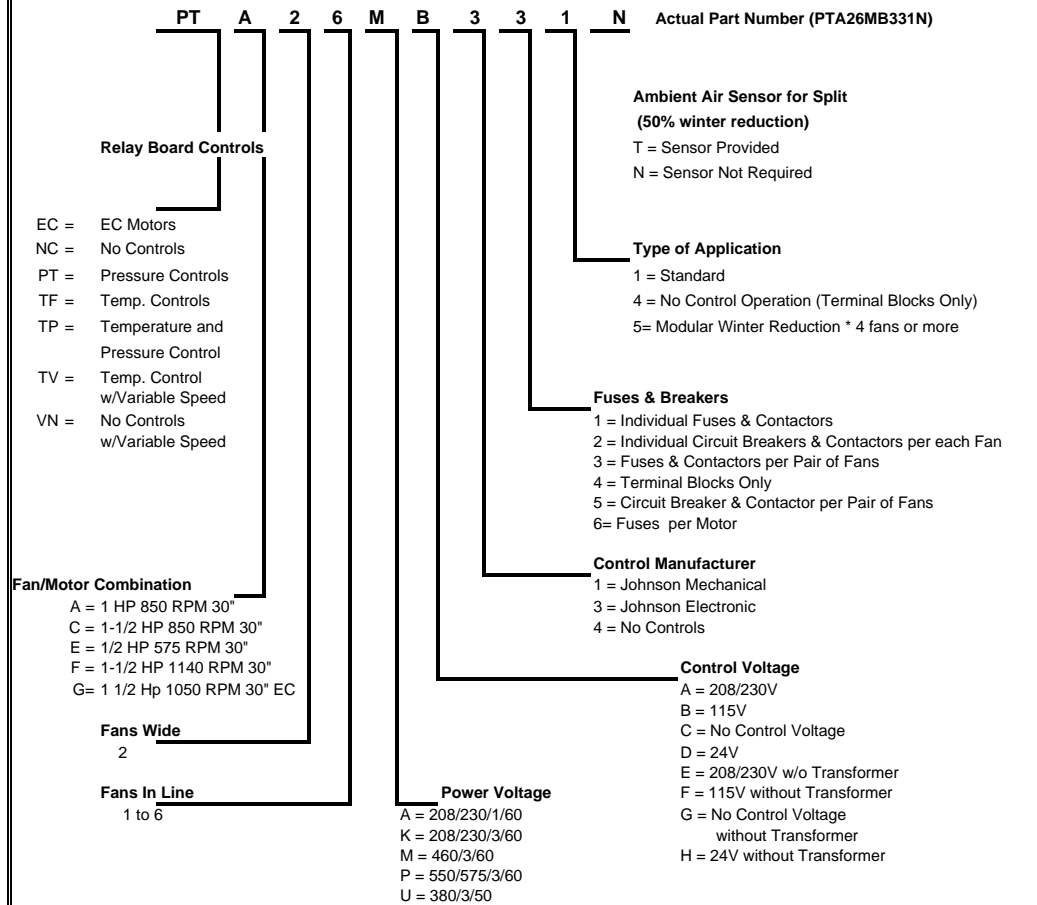
Control Description

Options

Control Description	Option Particular	Add
Model 311	Phase Loss Monitor	\$900
Individual Fuses & Cotnactors, plus Fan Cycling	Circuit Breakers: Per Breaker	\$370
	NEMA Contactor: Per Contactor	\$320
	Mounted Non-Fused Disconnect	\$1,500
Model 331	Inverter Ready Motor (MXA, MXC, MXF Models only) per motor	std
Fuses & Contactors per Pair of Fans, plus Fan Cycle Controls		
	Relay Boards	
Model 411	Backup T-Stat	\$280
No Fan Cycle Controls, Individual Fuses and Contactors	ALTECH	\$2,700
	COMTRON RELAY BOARD	\$2,210
	CPC-8RO RELAY BOARD	\$2,210
Model 431	EIL RELAY BOARD	\$2,210
No Fan Cycle Controls, Fuses and Contactors per Pair of Fans	DANFOSS RELAY BOARD	\$2,210
Model 315		
Individual Fuses & Contactors, plus Fan Cycling		
Winter Isolation Valves	NOTE: For panels without fuses, consult factory. Contact factory for pricing of Electronic Controllers and Relay Boards	
Model 335		
Fuses & Contactors per Pair of Fans, plus Fan Cycle Controls		
Winter Isolation Valves		
Model 415		
Individual Fuses & Contactors		
Winter Isolation Valves		
Model 435		
Fuses & Contactors per Pair of Fans,		
Winter Isolation Valves		
Model 465		
Individual Fuses, plus		
Winter Isolation Valves		
Model 461		
EC Motors, speed controlled by Pressure, fuses per motor		
EC Motors, speed controlled by Pressure, fuses per motor		
EC Motors, speed controlled by Pressure, fuses per motor		

Prices and Specifications Subject to Change Without Notice.

MICRO CHANNEL CONTROL PANEL NOMENCLATURE



MICRO CHANNEL AIR COOLED CONDENSERS

MICRO CHANNEL OPTIONS

CONDENSER WITH FACTORY INSTALLED RECEIVER

(INCLUDES FLOODING VALVE, ISOLATION BALL VALVES, LIQUID LEVEL INDICATOR AND RELIEF VALVE)

MODEL/CONDENSER SIZE	RECEIVER LIST		RECEIVER SIZE	HEATED AND INSULTATED
	ADD			RECEIVER LIST
				ADD
MX 1 RECEIVER	2x2	\$11,400	(1) 10.750" x 60"	\$1,790
	2x3	\$12,830	(1) 12.750" x 72"	\$1,930
	2x4	\$14,250	(1) 12.750" x 72"	\$1,930
	2x5	\$15,770	(1) 12.750" x 72"	\$2,080
	2x6	\$17,190	(1) 12.750" x 72"	\$2,230
MX 2 RECEIVERS	2x3	\$16,310	(2) 10.750" x 60"	\$3,270
	2x4	\$19,280	(2) 10.750" x 60"	\$3,570
	2x5	\$22,240	(2) 12.750" x 72"	\$3,860
	2x6	\$25,210	(2) 12.750" x 72"	\$4,160

Additional Options

Coil Filter	\$1,600	per module
Electro-fin Coil	\$2,800	per module
Coil Repair Tool	\$1,140	

Fluid Cooler - FAVB

MODEL	AIR FLOW		Internal	DIMENSIONS (IN)			SHIPPING	Epoxy Electro-Fin or Heresite Polyester	
	List Price	(CFM)	Volume (Gal)	L	W	H	WGT. (LBS)	Coating	Coating
One Fan Wide 24"									
11210	\$4,130	6,750	1.4	39.00	45.75	41.25	181	\$1,250	\$630
11310	\$4,400	6,400	1.9	39.00	45.75	41.25	185	\$1,370	\$670
11410	\$4,670	6,000	2.5	39.00	45.75	41.25	200	\$1,500	\$720
12210	\$5,770	13,500	2.4	75.00	45.75	41.25	352	\$2,400	\$870
12310	\$7,000	12,800	3.4	75.00	45.75	41.25	372	\$2,890	\$1,050
12410	\$7,890	12,000	4.4	75.00	45.75	41.25	400	\$2,860	\$1,190
13310	\$8,520	19,200	5.2	111.00	45.75	41.25	559	\$3,810	\$1,290
13410	\$10,710	18,000	6.4	111.00	45.75	41.25	600	\$4,140	\$1,620
14310	\$12,350	25,600	6.6	147.00	45.75	41.25	840	\$4,990	\$1,860
14410	\$12,630	24,000	8.2	147.00	45.75	41.25	900	\$5,420	\$1,900
15310	\$14,960	32,000	8.5	183.00	45.75	41.25	861	\$6,170	\$2,250
15410	\$16,740	30,000	10.1	183.00	45.75	41.25	950	\$6,690	\$2,520
16310	\$16,810	38,400	11.0	219.00	45.75	41.25	1070	\$7,350	\$2,530
16410	\$19,490	36,000	12.0	219.00	45.75	41.25	1150	\$7,990	\$2,930
17310	\$20,300	44,800	13.0	262.00	45.75	41.25	1349	\$8,530	\$3,060
17410	\$23,890	42,000	13.9	262.00	45.75	41.25	1450	\$9,270	\$3,590
Two Fan Wide									
22210	\$11,470	27,000	4.8	75.00	87.63	41.25	654	\$4,550	\$1,730
22310	\$13,930	25,600	6.8	75.00	87.63	41.25	865	\$5,510	\$2,090
22410	\$15,700	24,000	8.5	75.00	87.63	41.25	925	\$6,050	\$2,360
23310	\$16,930	38,400	10.4	111.00	87.63	41.25	1118	\$7,980	\$2,550
23410	\$21,300	36,000	12.3	111.00	87.63	41.25	1225	\$8,750	\$3,210
24310	\$24,580	51,200	13.2	147.00	87.63	41.25	1705	\$10,450	\$3,690
24410	\$25,120	48,000	16.1	147.00	87.63	41.25	1825	\$11,460	\$3,780
25310	\$29,760	64,000	17.0	183.00	87.63	41.25	1722	\$12,910	\$4,470
25410	\$33,310	60,000	19.9	183.00	87.63	41.25	1925	\$14,190	\$5,010
26310	\$33,450	76,800	22.0	219.00	87.63	41.25	2095	\$15,410	\$5,030
26410	\$38,770	72,000	23.8	219.00	87.63	41.25	2225	\$16,910	\$5,820
27310	\$40,400	89,600	26.0	255.00	87.63	41.25	2725	\$17,860	\$6,070
27410	\$47,540	84,000	27.5	255.00	87.63	41.25	2925	\$19,630	\$7,140

Note:
Prices for Horizontal and Vertical air flow are the same

Fluid Coolers - FEVE,FEVA,FEVF,FEVC

MODEL	List Price	AIR FLOW	Internal	DIMENSIONS (IN)			SHIPPING	Epoxy Electro-Fin or Heresite Coating	
		(CFM)	Volume (Gal)	L	W	H	WGT. (LBS)	Polyester Coating	
One Fan Wide 30"									
11208	\$5,600	7,212	3.5	58.00	45.25	54.00	447	\$2,340	\$830
11210	\$5,670	7,145	3.6	58.00	45.25	54.00	449	\$2,340	\$840
11212	\$5,740	7,078	3.7	58.00	45.25	54.00	454	\$2,340	\$850
11308	\$6,070	7,011	5.0	58.00	45.25	54.00	481	\$2,820	\$910
11310	\$6,130	6,900	5.2	58.00	45.25	54.00	484	\$2,820	\$920
11312	\$6,210	6,789	5.3	58.00	45.25	54.00	493	\$2,820	\$930
11408	\$6,270	6,794	6.5	58.00	45.25	54.00	515	\$3,110	\$940
11410	\$6,340	6,650	6.7	58.00	45.25	54.00	519	\$3,110	\$950
11412	\$6,420	6,494	6.9	58.00	45.25	54.00	528	\$3,110	\$960
12208	\$7,980	14,424	6.4	112.00	45.25	54.00	738	\$4,260	\$1,180
12210	\$8,110	14,290	6.5	112.00	45.25	54.00	741	\$4,260	\$1,200
12212	\$8,250	14,157	6.6	112.00	45.25	54.00	749	\$4,260	\$1,220
12308	\$8,530	14,023	9.5	112.00	45.25	54.00	803	\$5,150	\$1,270
12310	\$8,710	13,801	9.6	112.00	45.25	54.00	809	\$5,150	\$1,290
12312	\$9,050	13,578	9.7	112.00	45.25	54.00	822	\$5,150	\$1,340
12408	\$10,660	13,589	16.4	112.00	45.25	54.00	870	\$5,650	\$1,570
12410	\$11,100	13,300	16.5	112.00	45.25	54.00	878	\$5,650	\$1,650
12412	\$11,540	12,988	16.6	112.00	45.25	54.00	895	\$5,650	\$1,710
13208	\$12,030	21,636	9.4	166.00	45.25	54.00	1050	\$6,160	\$1,780
13210	\$12,160	21,436	9.5	166.00	45.25	54.00	1071	\$6,160	\$1,800
13212	\$12,440	21,236	9.6	166.00	45.25	54.00	1090	\$6,160	\$1,840
13308	\$12,720	21,035	13.7	166.00	45.25	54.00	1156	\$7,450	\$1,880
13310	\$12,990	20,701	13.9	166.00	45.25	54.00	1180	\$7,450	\$1,920
13312	\$13,450	20,367	14.1	166.00	45.25	54.00	1198	\$7,450	\$1,990
13408	\$15,140	20,384	18.3	166.00	45.25	54.00	1255	\$8,200	\$2,240
13410	\$15,760	19,950	18.5	166.00	45.25	54.00	1283	\$8,200	\$2,330
13412	\$16,380	19,483	18.7	166.00	45.25	54.00	1307	\$8,200	\$2,420
14308	\$17,050	28,047	18.2	220.00	45.25	54.00	1497	\$9,760	\$2,520
14310	\$17,210	27,602	18.4	220.00	45.25	54.00	1509	\$9,760	\$2,540
14312	\$17,880	27,157	18.6	220.00	45.25	54.00	1534	\$9,760	\$2,640
14408	\$20,190	27,179	24.0	220.00	45.25	54.00	1610	\$10,730	\$2,980
14410	\$20,700	26,600	24.3	220.00	45.25	54.00	1643	\$10,730	\$3,060
14412	\$21,800	25,977	24.6	220.00	45.25	54.00	1676	\$10,730	\$3,220
15308	\$24,230	35,059	22.5	274.00	45.25	58.50	2097	\$12,080	\$3,580
15310	\$24,580	34,503	22.7	274.00	45.25	58.50	2,106	\$12,080	\$3,630
15312	\$24,930	33,946	22.9	274.00	45.25	58.50	2137	\$12,080	\$3,680
15408	\$25,250	33,974	30.2	274.00	45.25	58.50	2231	\$13,280	\$3,730
15410	\$26,310	33,250	30.3	274.00	45.25	58.50	2276	\$13,280	\$3,880
15412	\$27,380	32,471	30.5	274.00	45.25	58.50	2317	\$13,280	\$4,040
16308	\$27,890	42,071	27.0	328.00	45.25	58.50	2649	\$14,380	\$4,190
16310	\$28,310	41,403	27.2	328.00	45.25	58.50	2573	\$14,380	\$4,260
16312	\$28,720	40,735	27.4	328.00	45.25	58.50	2610	\$14,380	\$4,320
16408	\$29,130	40,769	35.7	328.00	45.25	58.50	2784	\$15,810	\$4,380
16410	\$29,550	39,901	36.0	328.00	45.25	58.50	2808	\$15,810	\$4,450
16412	\$29,950	38,966	36.4	328.00	45.25	58.50	2858	\$15,810	\$4,500

MODEL	AIR FLOW		Internal	DIMENSIONS (IN)			SHIPPING	Epoxy Electro-Fin or Heresite Polyester	
	List Price	(CFM)	Volume (Gal)	L	W	H	WGT. (LBS)	Coating	Coating
Two Fans Wide 30"									
22208	\$15,850	30,157	12.4	112.00	90.50	54.00	1351	\$8,500	\$2,350
22210	\$16,130	29,878	12.6	112.00	90.50	54.00	1360	\$8,500	\$2,390
22212	\$16,410	29,599	12.8	112.00	90.50	54.00	1376	\$8,500	\$2,420
22308	\$16,960	29,320	18.7	112.00	90.50	54.00	1497	\$10,280	\$2,510
22310	\$17,330	28,854	18.9	112.00	90.50	54.00	1485	\$10,280	\$2,560
22312	\$17,990	28,389	19.1	112.00	90.50	54.00	1522	\$10,280	\$2,670
22408	\$21,190	28,412	24.8	112.00	90.50	54.00	1619	\$11,290	\$3,130
22410	\$22,070	32,461	25.0	112.00	90.50	54.00	1635	\$11,290	\$3,260
22412	\$22,940	27,156	25.3	112.00	90.50	54.00	1668	\$11,290	\$3,390
23208	\$24,050	43,272	18.3	166.00	90.50	54.00	1920	\$12,310	\$3,610
23210	\$24,190	44,818	18.5	166.00	90.50	54.00	1935	\$12,310	\$3,570
23212	\$24,750	44,399	18.7	166.00	90.50	54.00	1972	\$12,310	\$3,650
23308	\$25,310	43,980	27.4	166.00	90.50	54.00	2134	\$14,890	\$3,740
23310	\$25,840	43,282	27.7	166.00	90.50	54.00	2153	\$14,890	\$3,810
23312	\$26,750	42,584	27.9	166.00	90.50	54.00	2190	\$14,890	\$3,950
23408	\$30,560	42,619	36.7	166.00	90.50	54.00	2331	\$16,380	\$4,510
23410	\$31,340	41,827	36.9	166.00	90.50	54.00	2355	\$16,380	\$4,630
23412	\$32,600	40,734	37.1	166.00	90.50	54.00	2404	\$16,380	\$4,810
24308	\$33,920	58,640	36.3	220.00	90.50	54.00	2641	\$19,510	\$5,010
24310	\$34,230	57,709	36.5	220.00	90.50	54.00	2766	\$19,510	\$5,050
24312	\$35,570	56,778	36.7	220.00	90.50	54.00	2815	\$19,510	\$5,250
24408	\$40,170	56,825	48.4	220.00	90.50	54.00	3004	\$21,460	\$5,920
24410	\$41,180	55,615	48.6	220.00	90.50	54.00	3037	\$21,460	\$6,080
24412	\$43,370	54,312	48.8	220.00	90.50	54.00	3103	\$21,460	\$6,400
25308	\$48,190	73,300	45.2	274.00	90.50	58.50	3868	\$24,140	\$7,110
25310	\$48,890	72,137	45.4	274.00	90.50	58.50	3898	\$24,140	\$7,210
25312	\$49,580	70,973	45.6	274.00	90.50	58.50	3960	\$24,140	\$7,310
25408	\$50,260	71,031	60.3	274.00	90.50	58.50	4195	\$26,550	\$7,410
25410	\$52,360	69,519	60.5	274.00	90.50	58.50	4236	\$26,550	\$7,720
25412	\$54,490	67,890	60.7	274.00	90.50	58.50	4319	\$26,550	\$8,030
26308	\$55,510	87,960	54.2	328.00	90.50	58.50	4759	\$28,750	\$8,340
26310	\$56,320	86,564	54.4	328.00	90.50	58.50	4796	\$28,750	\$8,450
26312	\$57,140	85,168	54.6	328.00	90.50	58.50	4870	\$28,750	\$8,580
26408	\$57,970	85,238	72.1	328.00	90.50	58.50	5218	\$31,610	\$8,710
26410	\$58,780	83,422	72.3	328.00	90.50	58.50	5268	\$31,610	\$8,820
26412	\$59,600	81,468	72.5	328.00	90.50	58.50	5366	\$31,610	\$8,950

Fluid Coolers - FEVG

MODEL	List Price	AIR FLOW	Internal	DIMENSIONS (IN)			SHIPPING	Epoxy Electro-Fin or Heresite Coating	
		(CFM)	Volume (Gal)	L	W	H	WGT. (LBS)	Polyester Coating	
One Fan Wide 30"									
11208	\$9,050	7,212	3.5	58.00	45.25	54.00	447	\$2,340	\$830
11210	\$9,120	7,145	3.6	58.00	45.25	54.00	449	\$2,340	\$840
11212	\$9,190	7,078	3.7	58.00	45.25	54.00	454	\$2,340	\$850
11308	\$9,520	7,011	5.0	58.00	45.25	54.00	481	\$2,820	\$910
11310	\$9,580	6,900	5.2	58.00	45.25	54.00	484	\$2,820	\$920
11312	\$9,660	6,789	5.3	58.00	45.25	54.00	493	\$2,820	\$930
11408	\$9,720	6,794	6.5	58.00	45.25	54.00	515	\$3,110	\$940
11410	\$9,790	6,650	6.7	58.00	45.25	54.00	519	\$3,110	\$950
11412	\$9,870	6,494	6.9	58.00	45.25	54.00	528	\$3,110	\$960
12208	\$14,880	14,424	6.4	112.00	45.25	54.00	738	\$4,260	\$1,180
12210	\$15,010	14,290	6.5	112.00	45.25	54.00	741	\$4,260	\$1,200
12212	\$15,150	14,157	6.6	112.00	45.25	54.00	749	\$4,260	\$1,220
12308	\$15,430	14,023	9.5	112.00	45.25	54.00	803	\$5,150	\$1,270
12310	\$15,610	13,801	9.6	112.00	45.25	54.00	809	\$5,150	\$1,290
12312	\$15,950	13,578	9.7	112.00	45.25	54.00	822	\$5,150	\$1,340
12408	\$17,560	13,589	16.4	112.00	45.25	54.00	870	\$5,650	\$1,570
12410	\$18,000	13,300	16.5	112.00	45.25	54.00	878	\$5,650	\$1,650
12412	\$18,440	12,988	16.6	112.00	45.25	54.00	895	\$5,650	\$1,710
13208	\$22,380	21,636	9.4	166.00	45.25	54.00	1050	\$6,160	\$1,780
13210	\$22,510	21,436	9.5	166.00	45.25	54.00	1071	\$6,160	\$1,800
13212	\$22,790	21,236	9.6	166.00	45.25	54.00	1090	\$6,160	\$1,840
13308	\$23,070	21,035	13.7	166.00	45.25	54.00	1156	\$7,450	\$1,880
13310	\$23,340	20,701	13.9	166.00	45.25	54.00	1180	\$7,450	\$1,920
13312	\$23,800	20,367	14.1	166.00	45.25	54.00	1198	\$7,450	\$1,990
13408	\$25,490	20,384	18.3	166.00	45.25	54.00	1255	\$8,200	\$2,240
13410	\$26,110	19,950	18.5	166.00	45.25	54.00	1283	\$8,200	\$2,330
13412	\$26,730	19,483	18.7	166.00	45.25	54.00	1307	\$8,200	\$2,420
14308	\$30,850	28,047	18.2	220.00	45.25	54.00	1497	\$9,760	\$2,520
14310	\$31,010	27,602	18.4	220.00	45.25	54.00	1509	\$9,760	\$2,540
14312	\$31,680	27,157	18.6	220.00	45.25	54.00	1534	\$9,760	\$2,640
14408	\$33,990	27,179	24.0	220.00	45.25	54.00	1610	\$10,730	\$2,980
14410	\$34,500	26,600	24.3	220.00	45.25	54.00	1643	\$10,730	\$3,060
14412	\$35,600	25,977	24.6	220.00	45.25	54.00	1676	\$10,730	\$3,220
15308	\$41,480	35,059	22.5	274.00	45.25	58.50	2097	\$12,080	\$3,580
15310	\$41,830	34,503	22.7	274.00	45.25	58.50	2,106	\$12,080	\$3,630
15312	\$42,180	33,946	22.9	274.00	45.25	58.50	2137	\$12,080	\$3,680
15408	\$42,500	33,974	30.2	274.00	45.25	58.50	2231	\$13,280	\$3,730
15410	\$43,560	33,250	30.3	274.00	45.25	58.50	2276	\$13,280	\$3,880
15412	\$44,630	32,471	30.5	274.00	45.25	58.50	2317	\$13,280	\$4,040
16308	\$48,590	42,071	27.0	328.00	45.25	58.50	2649	\$14,380	\$4,190
16310	\$49,010	41,403	27.2	328.00	45.25	58.50	2573	\$14,380	\$4,260
16312	\$49,420	40,735	27.4	328.00	45.25	58.50	2610	\$14,380	\$4,320
16408	\$49,830	40,769	35.7	328.00	45.25	58.50	2784	\$15,810	\$4,380
16410	\$50,250	39,901	36.0	328.00	45.25	58.50	2808	\$15,810	\$4,450
16412	\$50,650	38,966	36.4	328.00	45.25	58.50	2858	\$15,810	\$4,500

MODEL	AIR FLOW		Internal	DIMENSIONS (IN)			SHIPPING	Epoxy Electro-Fin or Heresite Polyester	
	List Price	(CFM)	Volume (Gal)	L	W	H	WGT. (LBS)	Coating	Coating
Two Fans Wide 30"									
22208	\$29,650	30,157	12.4	112.00	90.50	54.00	1351	\$8,500	\$2,350
22210	\$29,930	29,878	12.6	112.00	90.50	54.00	1360	\$8,500	\$2,390
22212	\$30,210	29,599	12.8	112.00	90.50	54.00	1376	\$8,500	\$2,420
22308	\$30,760	29,320	18.7	112.00	90.50	54.00	1497	\$10,280	\$2,510
22310	\$31,130	28,854	18.9	112.00	90.50	54.00	1485	\$10,280	\$2,560
22312	\$31,790	28,389	19.1	112.00	90.50	54.00	1522	\$10,280	\$2,670
22408	\$34,990	28,412	24.8	112.00	90.50	54.00	1619	\$11,290	\$3,130
22410	\$35,870	32,461	25.0	112.00	90.50	54.00	1635	\$11,290	\$3,260
22412	\$36,740	27,156	25.3	112.00	90.50	54.00	1668	\$11,290	\$3,390
23208	\$44,750	43,272	18.3	166.00	90.50	54.00	1920	\$12,310	\$3,610
23210	\$44,890	44,818	18.5	166.00	90.50	54.00	1935	\$12,310	\$3,570
23212	\$45,450	44,399	18.7	166.00	90.50	54.00	1972	\$12,310	\$3,650
23308	\$46,010	43,980	27.4	166.00	90.50	54.00	2134	\$14,890	\$3,740
23310	\$46,540	43,282	27.7	166.00	90.50	54.00	2153	\$14,890	\$3,810
23312	\$47,450	42,584	27.9	166.00	90.50	54.00	2190	\$14,890	\$3,950
23408	\$51,260	42,619	36.7	166.00	90.50	54.00	2331	\$16,380	\$4,510
23410	\$52,040	41,827	36.9	166.00	90.50	54.00	2355	\$16,380	\$4,630
23412	\$53,300	40,734	37.1	166.00	90.50	54.00	2404	\$16,380	\$4,810
24308	\$61,520	58,640	36.3	220.00	90.50	54.00	2641	\$19,510	\$5,010
24310	\$61,830	57,709	36.5	220.00	90.50	54.00	2766	\$19,510	\$5,050
24312	\$63,170	56,778	36.7	220.00	90.50	54.00	2815	\$19,510	\$5,250
24408	\$67,770	56,825	48.4	220.00	90.50	54.00	3004	\$21,460	\$5,920
24410	\$68,780	55,615	48.6	220.00	90.50	54.00	3037	\$21,460	\$6,080
24412	\$70,970	54,312	48.8	220.00	90.50	54.00	3103	\$21,460	\$6,400
25308	\$82,690	73,300	45.2	274.00	90.50	58.50	3868	\$24,140	\$7,110
25310	\$83,390	72,137	45.4	274.00	90.50	58.50	3898	\$24,140	\$7,210
25312	\$84,080	70,973	45.6	274.00	90.50	58.50	3960	\$24,140	\$7,310
25408	\$84,760	71,031	60.3	274.00	90.50	58.50	4195	\$26,550	\$7,410
25410	\$86,860	69,519	60.5	274.00	90.50	58.50	4236	\$26,550	\$7,720
25412	\$88,990	67,890	60.7	274.00	90.50	58.50	4319	\$26,550	\$8,030
26308	\$96,910	87,960	54.2	328.00	90.50	58.50	4759	\$28,750	\$8,340
26310	\$97,720	86,564	54.4	328.00	90.50	58.50	4796	\$28,750	\$8,450
26312	\$98,540	85,168	54.6	328.00	90.50	58.50	4870	\$28,750	\$8,580
26408	\$99,370	85,238	72.1	328.00	90.50	58.50	5218	\$31,610	\$8,710
26410	\$100,180	83,422	72.3	328.00	90.50	58.50	5268	\$31,610	\$8,820
26412	\$101,000	81,468	72.5	328.00	90.50	58.50	5366	\$31,610	\$8,950

Fluid Cooler Options

Leg Options (30" Fan Units)

FAN CONFIGURATION	42" LEGS	HINGED	
		FAN PANEL	GRAVITY DAMPERS
1 x 1	\$160	\$330	\$610
1 x 2	\$160	\$660	\$1,220
1 x 3	\$160	\$990	\$1,830
1 x 4	\$240	\$1,320	\$2,440
1 x 5	\$320	\$1,650	\$3,050
1 x 6	\$320	\$1,980	\$3,660
2 x 2	\$160	\$1,320	\$2,440
2 x 3	\$320	\$1,980	\$3,660
2 x 4	\$240	\$2,640	\$4,880
2 x 5	\$320	\$3,300	\$6,100
2 x 6	\$320	\$3,960	\$7,320

150# Flanged Connections:

Inline up to 2.5"	\$1,040
Inline 3"	\$1,150
Inline 4"	\$1,250
Double-Wide up to 2.5"	\$2,090
Double-Wide 3"	\$2,290
Double-Wide 4"	\$2,500

Double-Wide Unit Mainfold Kits:

Flow Rates 80 to 200 GPM	\$930	3.125 ODS or 3 MPT
Flow Rates 201 to 320 GPM	\$1,180	4.125 ODS or 4 MPT

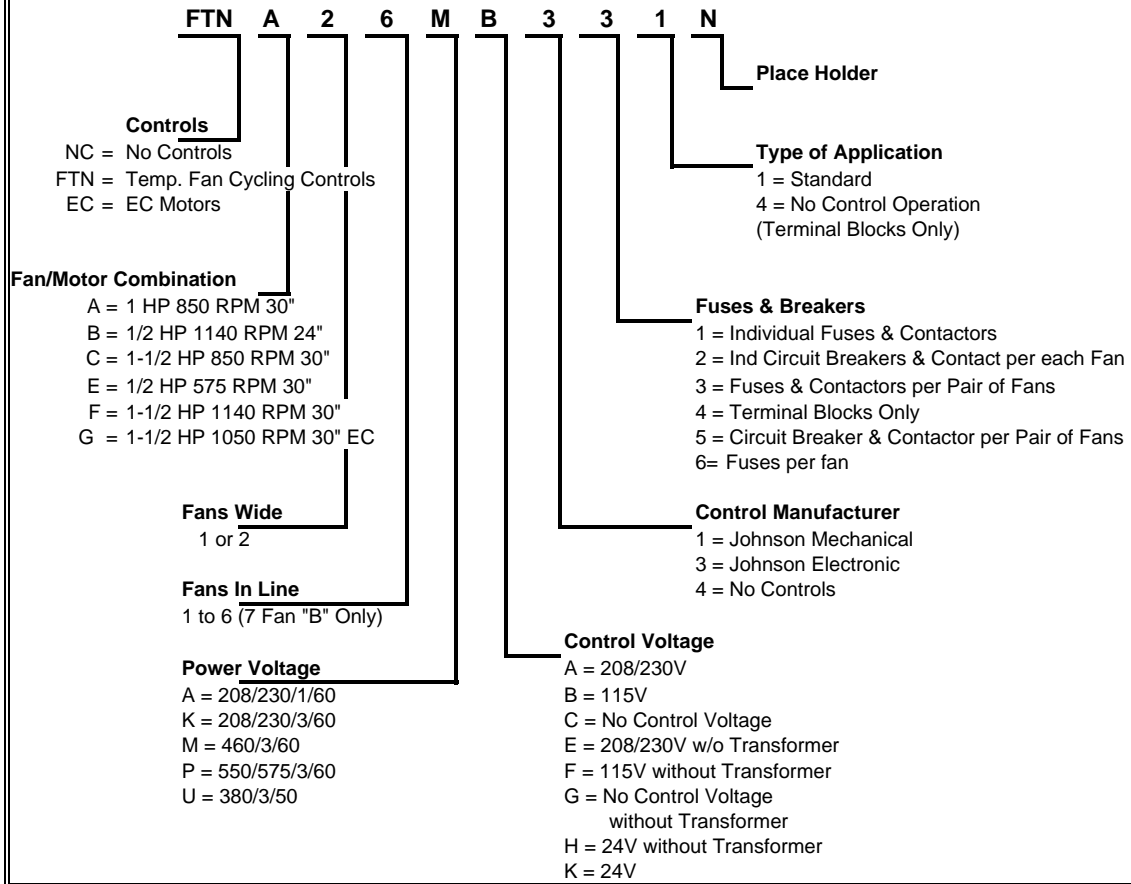
Fluid Cooler Control Panels and Electrical Information

FAN CONFIGU	FTN 311	FTN 331	NC 411	NC 431	EC 461 (G Model only)
1 x 1	\$1,050	-	\$810	-	\$1,085
1 x 2	\$1,500	-	\$1,020	-	\$1,345
1 x 3	\$1,930	-	\$1,080	-	\$1,455
1 x 4	\$2,370	-	\$1,400	-	\$1,825
1 x 5	\$2,780	-	\$1,590	-	\$2,065
1 x 6	\$3,200	-	\$1,760	-	\$2,285
1 x 7	\$3,610	-	\$1,930	-	\$2,505
2 x 2	\$2,280	\$1,620	\$1,810	\$1,140	\$2,235
2 x 3	\$3,040	\$2,050	\$2,330	\$1,340	\$2,855
2 x 4	\$3,790	\$2,470	\$2,840	\$1,530	\$3,465
2 x 5	\$4,520	\$2,900	\$3,310	\$1,710	\$4,035
2 x 6	\$5,230	\$3,310	\$3,800	\$1,880	\$4,625
2 x 7	\$5,950	\$3,710	\$4,290	\$2,050	\$5,215

NOTE: The heading of each column is the last 3 numbers in the Control Panel Nomenclature

Control Description	Options	Add
Model 311	Option Particular	
Individual Fuses & Cotnactors, plus Fan Cycling	Circuit Breakers: Per Breaker NEMA Contactor: Per Contactor Phase Loss Monitor	\$370 \$320 \$900
Model 331		
Fuses & Contactors per Pair of Fans, plus Fan Cycle Controls	Inverter Ready Motor (FEVA & FEVF only)	\$250
	NEMA 4 Enclosure w/Fan Cycling:	\$1,680
	NEMA 4 Enclosure w/Terminal Blocks:	\$570
Model 411		
No Fan Cycle Controls, Individual Fuses and Contactors	NEMA 4X Enclosure 24" Fan Units: NEMA 4X Enclosure 30" Fan Units: Mounted Non-Fused Disconnect:	\$1,050 \$2,790 \$1,500
Model 431	TEAO, ATO MOTORS:	
No Fan Cycle Controls, Fuses and Contactors per Pair of Fans	24" Fan Units Std. 1HP 30" Fan Units Std. 1.5HP 30" Fan Units	Standard c/f \$1,110
Model 461	BLOW-THRU UNIT CONFIGURATION:	
EC Motors, speed controlled by Temperature, fuses per motor	24" Fan Units Std. 1HP 30" Fan Units Std. 1.5HP 30" Fan Units	c/f c/f c/f

FLUID COOLER CONTROL PANEL NOMENCLATURE



H Series Model Key

	H	#	#	R	-	030	0	M	V	K	C		
Name													
Type													Receiver Size
N - Indoor													A - 6" x 12"
T - Outdoor													B - 6" x 18"
R - Remote													C - 6" x 23"
S - Satellite													D - 6" x 30"
Base													E - 8-5/8" x 30"
S - Standard													F - 10-3/4" x 30"
H - Heavy Duty													G - 10-3/4" x 38"
													H - 12-3/4" x 30"
													X - No Receiver
Compressor Vendor													M - 5" x 12"
D - Copeland Discus													O - 6" x 12" (HTST)
H - Copeland Hermetic													N - 6" x 15"
R - IR Impact Standard													P - 6" x 36"
S - Copeland Semi-Hermetic													
Z - Copeland Scroll													
T - Tecumseh Hermetic													
													Voltage
Compressor Horsepower													D - 208-230V / 1 Ph / 60 Hz
005 - 1/2 HP													K - 208-230V / 3 Ph / 60 Hz
030 - 3 HP													M - 460V / 3 Ph / 60 Hz
100 - 10 HP													P - 575V / 3 Ph / 60 Hz
													U - 380V / 3 Ph / 50 Hz
													Refrigerant
Alternative													S - R404a
0 - Basic													V - R22
1 - First Alternative													P - R507
2 - Second Alternative													
3 - Third Alternative													
													Temperature Range
													H - High (Max Evap Temp = +45 F)
													M - Medium (Max Evap Temp = +35 F)
													E - Extended Medium (-25 F to +25 F)
													L - Low (Max Evap Temp = +0 F)

HTST-SERIES CONDENSING UNIT

MODEL	COMPRES MODEL	LIST PRICE			Optional 4-Year Extended Compressor Warranty	@ 95° Ambient MBH		TECHNICAL SPECIFICATION				
		Voltage		D		K	SST	SST	Cabinet Size	Receiver Size	Connections	
		208/230V/1PH	208/230V/3PH								Liquid	Suction
High Temp R-22												
HTST-0050HV	AKA9459E	\$3,900	-	\$290	6.70	-	Small	M	1/4"	3/8"		
HTST-0070HV	AKA9475E	\$3,960	-	\$290	7.80	-	Small	M	1/4"	3/8"		
HTST-0090HV	AJA9484E	\$4,010	-	\$290	8.90	-	Small	O	1/4"	5/8"		
HTST-0100HV	AWG4518E	\$4,310	-	\$290	11.60	-	Small	O	3/8"	5/8"		
HTST-0150HV	AWG4523E	\$4,640	\$4,780	\$290	15.70	-	Medium	N	3/8"	7/8"		
HTST-0200HV	AWG4525E	\$4,770	\$4,910	\$360	16.70	-	Medium	N	3/8"	7/8"		
HTST-0240HV	AWG4530E		\$5,090	\$360	19.90	-	Medium	N	3/8"	7/8"		
HTST-0250HV	AWG4530E	\$5,150	-	\$360	20.70	-	Medium	N	3/8"	7/8"		
HTST-0300HV	AVA4544E	\$5,560	\$5,730	\$360	29.40	-	Medium	N	3/8"	7/8"		
HTST-0350HV	AVA4547E	\$6,380	\$6,410	\$360	31.70	-	Large	P	1/2"	7/8"		
HTST-0450HV	AGA4551E	\$7,560	\$7,600	\$360	36.80	-	Large	P	1/2"	7/8"		
HTST-0600HV	AGA4560E	\$8,790	\$8,790	\$360	43.10	-	Large	P	1/2"	7/8"		
Medium Temp R-404A												
HTST-0070MS	AKA9464Z	\$4,570	-	\$290	7.20	-	Small	M	1/4"	5/8"		
HTST-0100MS	AWA9511Z	\$4,800	\$4,330	\$290	12.20	-	Medium	N	3/8"	5/8"		
HTST-0110MS	AWA9412Z	\$4,810	-	\$290	13.10	-	Medium	N	3/8"	5/8"		
HTST-0160MS	AWA9513Z	\$4,930	\$5,010	\$290	14.70	-	Medium	N	3/8"	7/8"		
HTST-0240MS	AVA9522Z	\$6,190	\$6,320	\$360	25.50	-	Medium	N	3/8"	7/8"		
HTST-0350MS	AVA9532Z	\$6,910	\$7,010	\$360	35.80	-	Large	P	1/2"	7/8"		
HTST-0410MS	AGA9539Z	\$9,540	\$9,570	\$360	43.70	-	Large	P	1/2"	7/8"		
Low Temp R-404A												
HTST-0050LS	AJA2423Z	\$4,260	-	\$290	-	1.70	Small	M	1/4"	3/8"		
HTST-0060LS	AJA2436Z	\$4,320	-	\$290	-	2.40	Small	M	1/4"	3/8"		
HTST-0070LS	AWA2444Z	\$4,620	-	\$290	-	3.20	Small	M	3/8"	5/8"		
HTST-0150LS	AWA2481Z	\$5,300	\$5,480	\$290	-	5.90	Medium	N	3/8"	5/8"		
HTST-0200LS	AVA2511Z	\$6,000	\$6,210	\$360	-	8.40	Medium	N	3/8"	7/8"		
HTST-0300LS	AVA2514Z	\$7,020	\$7,300	\$360	-	10.10	Medium	N	3/8"	7/8"		

OPTIONS:
Subcooling not available on

Cabinet Size	L	W	H
Small	34.620	28.730	26.540
Medium	40.670	32.350	26.540
Large	54.00	36.350	31.040

Receiver Size and Capacity				
		Capacity - 90% Full		Heated and Insulated
Receiver Size		R-22(Lbs)	R-404A (Lbs)	
M	5 x 12	8.4	7.9	\$ 110
O	6 x 12	12.2	11.4	\$120
N	6 x 15	15.6	14.6	\$120
P	6 x 36	38.5	36.1	\$120

HTSD SERIES CONDENSING UNIT

MODEL	COMPRES MODEL	LIST PRICE				Optional 4-Year Extended Compres Warranty	@ 95° Ambient		TECHNICAL SPECIFICATION						SHIPPIN G VGT.(LBS)
		Voltage			MBH		Cabinet Size	Rcvr Size	Cond Size	Connections					
		208V/1PH	208V/3P H	460V/3PH						Liq	Suct	Disc			
		D	K	M											
Discus - High Temperature - R-22															
HTSD-0500HV	2DC3R53KE	-	\$11,180	\$11,910	\$950	39.30	-	MEDIUM	D	3	5/8	1-1/8	5/8	606	
HTSD-0501HV	2DD3R63KE	-	\$11,440	\$12,160	\$950	44.90	-	MEDIUM	D	3	5/8	1-1/8	7/8	656	
HTSD-0750HV	2DL3R78KE	-	\$13,840	\$14,540	\$1,010	57.10	-	MEDIUM	E	4	5/8	1-3/8	7/8	720	
HTSD-0751HV	2DA3R89KE	-	\$16,340	\$17,060	\$1,020	68.10	-	LARGE	E	5	5/8	1-3/8	7/8	1187	
HTSD-0752HV	3DA3R10ME	-	\$16,270	\$16,930	\$1,050	80.30	-	LARGE	F	5	5/8	1-3/8	7/8	1242	
HTSD-1000HV	3DB3R12ME	-	\$18,030	\$18,660	\$1,290	93.00	-	LARGE	F	5	7/8	1-3/8	7/8	1246	
HTSD-1200HV	3DF3R15ME	-	\$19,630	\$20,120	\$1,530	109.90	-	LARGE	H	7	7/8	1-3/8	1-1/8	1210	
HTSD-1500HV	3DS3R17ME	-	\$20,110	\$20,620	\$1,390	123.20	-	LARGE	H	7	7/8	1-5/8	1-1/8	1215	
Discus - Low Temperature - R-22															
HTSD-0300LV	2DF3F16KE	\$13,160	\$11,930	\$12,650	\$840	-	14.50	MEDIUM	C	2	1/2	1-1/8	5/8	596	
HTSD-0400LV	2DL3F20KE	-	\$12,660	\$13,370	\$850	-	18.30	MEDIUM	C	3	5/8	1-1/8	5/8	601	
HTSD-0600LV	2DB3F25KE	-	\$13,540	\$14,260	\$880	-	22.10	MEDIUM	D	3	5/8	1-1/8	5/8	688	
HTSD-0601LV	3DA3F28KE	-	\$14,170	\$14,890	\$1,050	-	25.50	MEDIUM	E	4	5/8	1-3/8	7/8	765	
HTSD-0750LV	3DB3F33KE	-	\$17,790	\$17,510	\$1,200	-	32.50	LARGE	E	5	5/8	1-3/8	7/8	1227	
HTSD-0900LV	3DF3F40KE	-	\$18,060	\$18,790	\$1,260	-	37.80	LARGE	F	5	5/8	1-3/8	7/8	1242	
HTSD-1000LV	3DS3F46KE	-	\$19,390	\$19,770	\$1,390	-	40.80	LARGE	F	5	5/8	1-5/8	7/8	1273	
HTSD-1500LV	4DL3F63KE	-	\$24,520	\$25,070	\$1,770	-	55.90	LARGE	H	7	7/8	2-1/8	1-1/8	1282	
HTSD-2200LV	4DT3F76KE	-	\$28,200	\$28,410	\$2,010	-	65.40	LARGE	H	7	7/8	2-1/8	1-1/8	1290	
Discus - High Temperature - R-404A															
HTSD-0500HS	2DC3R53KE	-	\$11,180	\$11,910	\$950	39.90	-	MEDIUM	D	3	5/8	1-1/8	5/8	606	
HTSD-0501HS	2DD3R63KE	-	\$11,440	\$12,160	\$950	45.90	-	MEDIUM	D	3	5/8	1-1/8	7/8	656	
HTSD-0750HS	2DL3R78KE	-	\$13,840	\$14,540	\$1,010	56.60	-	MEDIUM	E	4	5/8	1-3/8	7/8	720	
HTSD-0751HS	2DA3R89KE	-	\$14,080	\$14,800	\$1,020	70.90	-	LARGE	E	5	5/8	1-3/8	7/8	1187	
HTSD-0752HS	3DA3R10ME	-	\$16,270	\$16,930	\$1,050	80.80	-	LARGE	F	5	5/8	1-3/8	7/8	1242	
HTSD-1000HS	3DB3R12ME	-	\$18,030	\$18,660	\$1,290	90.90	-	LARGE	F	5	7/8	1-3/8	7/8	1246	
HTSD-1200HS	3DF3R15ME	-	\$19,630	\$20,120	\$1,530	113.50	-	LARGE	H	7	7/8	1-3/8	1-1/8	1210	
HTSD-1500HS	3DS3R17ME	-	\$20,110	\$20,620	\$1,390	121.30	-	LARGE	H	7	7/8	1-5/8	1-1/8	1215	
Discus - Low Temperature - R-404A															
HTSD-0300LS	2DF3F16KE	\$11,940	\$10,820	\$11,540	\$840	-	17.30	MEDIUM	C	2	1/2	1-1/8	5/8	596	
HTSD-0400LS	2DL3F20KE	-	\$11,760	\$12,480	\$850	-	21.80	MEDIUM	C	3	5/8	1-1/8	5/8	601	
HTSD-0600LS	2DB3F25KE	-	\$12,210	\$12,910	\$880	-	26.10	MEDIUM	D	3	5/8	1-1/8	5/8	655	
HTSD-0601LS	3DA3F28KE	-	\$13,050	\$13,770	\$1,050	-	30.20	MEDIUM	E	4	5/8	1-3/8	7/8	765	
HTSD-0750LS	3DB3F33KE	-	\$15,530	\$16,260	\$1,200	-	37.20	LARGE	E	5	5/8	1-3/8	7/8	1227	
HTSD-0900LS	3DF3F40KE	-	\$16,590	\$17,330	\$1,260	-	44.20	LARGE	F	5	5/8	1-3/8	7/8	1242	
HTSD-1000LS	3DS3F46KE	-	\$18,170	\$18,550	\$1,390	-	48.80	LARGE	F	5	5/8	1-5/8	7/8	1273	
HTSD-1001LS	4DA3F47KE	-	\$20,050	\$20,340	\$1,470	-	52.00	LARGE	H	7	7/8	2-1/8	1-1/8	1278	
HTSD-1500LS	4DL3F63KE	-	\$21,800	\$22,000	\$1,770	-	66.70	LARGE	H	7	7/8	2-1/8	1-1/8	1282	
HTSD-2200LS	4DT3F76KE	-	\$25,130	\$25,510	\$2,010	-	76.50	LARGE	H	7	7/8	2-1/8	1-1/8	1290	

* Standard Units Supplied With Liquid Line Kit and Pumpdown Switch

CABINET SIZE			
	L	W	H
Small	-	-	-
Medium	48.000	34.750	36.285
Large	83.860	34.750	36.285

RECEIVER SIZE & CAPACITY			
RECEIVER SIZE	CAPACITY - 90% FULL		HEATED/ INSULATED RECEIVER KIT LIST PRICE
	R-22(LBS)	R-404A/R507(LBS)	
A 6 X 12	12.8	11.1	\$120
B 6 X 18	19.2	16.7	\$120
C 6 X 23	24.6	21.4	\$120
D 6 X 30	32.0	27.9	\$120
E 8-5/8 X 30	62.0	53.9	\$120
F 10-3/4 X 30	94.6	82.3	\$120
G 10-3/4 X 38	122.0	106.2	--
H 12-3/4 X 30	115.0	100.1	\$130

HTSS-SERIES CONDENSING UNIT

MODEL	COMPRES MODEL	LIST PRICE			Optional 4-Year Extended Compres Warranty	@ 95° Ambient		TECHNICAL SPECIFICATION						SHIP GT.(LBS)
		Voltage				MBH	Cabinet	Rcvr	Cond	Connection				
		208V/1P H	208V/3P H	460V/3P H						Liq	Suct	Disc		
		D	K	M						@ +25° SST	@ -20° SST	Size	Size	
Semi-Hermetic - Medium Temperature - R-22														
HTSS-0050MV	HAI# - 005E	\$3,950	\$4,260	-	\$480	4.90	-	SMALL	A	1	3/8	7/8	1/2	261
HTSS-0070MV	KAN# - 007E	\$4,130	-	-	\$540	6.50	-	SMALL	A	1	3/8	7/8	1/2	280
HTSS-0071MV	KAE# - 007E	\$4,310	\$4,320	-	\$480	7.70	-	SMALL	A	1	3/8	7/8	1/2	280
HTSS-0100MV	KAR# - 010E	\$5,000	\$5,200	\$4,550	\$540	8.80	-	SMALL	A	1	3/8	7/8	1/2	282
HTSS-0200MV	KAK# - 020E	\$5,710	\$5,620	\$5,780	\$650	14.80	-	SMALL	B	1	1/2	7/8	1/2	294
HTSS-0201MV	ERC# - 020E	-	\$5,930	\$6,110	\$730	16.40	-	SMALL	B	1	1/2	7/8	1/2	356
HTSS-0300MV	ERF# - 031E	\$7,600	\$6,920	\$6,640	\$760	24.80	-	MEDIUM	C	2	1/2	1-1/8	5/8	493
HTSS-0301MV	3RA#031E	-	\$7,910	\$8,140	\$760	28.30	-	MEDIUM	C	2	1/2	1-1/8	5/8	493
Semi-Hermetic - Low Temperature - R-22														
HTSS-0070LV	KAM# - 007E	\$4,290	\$4,390	-	\$540	-	3.10	SMALL	A	1	3/8	7/8	1/2	280
HTSS-0100LV	KAJ# - 010E	\$4,540	\$4,630	\$4,770	\$540	-	4.10	SMALL	A	1	3/8	7/8	1/2	282
HTSS-0200LV	KAK# - 020E	\$5,730	\$5,650	\$5,810	\$650	-	4.60	SMALL	B	1	1/2	7/8	1/2	294
HTSS-0201LV	EAD# - 020E	\$6,260	\$5,950	-	\$720	-	6.60	SMALL	B	1	1/2	7/8	1/2	351
HTSS-0202LV	EAV# - 021E	\$6,330	\$6,250	\$6,430	\$550	-	6.20	SMALL	B	1	1/2	7/8	1/2	356
HTSS-0250LV	LAH# - 032E	\$7,990	\$7,660	\$7,880	\$790	-	11.60	MEDIUM	C	2	1/2	1-1/8	5/8	526
Semi-Hermetic - Medium Temperature - R-404A														
HTSS-0050MS	HAI# - 005E	\$4,050	\$4,430	-	\$480	5.20	-	SMALL	A	1	3/8	7/8	1/2	261
HTSS-0100MS	KAR# - 010E	\$4,690	\$4,720	\$4,850	\$540	9.60	-	SMALL	A	1	3/8	7/8	1/2	282
HTSS-0101MS	KAG# - 010E	\$5,370	\$5,360	\$5,510	\$540	11.30	-	SMALL	A	1	3/8	7/8	1/2	282
HTSS-0200MS	KAK# - 020E	\$5,910	\$5,900	\$6,070	\$650	14.40	-	SMALL	B	1	1/2	7/8	1/2	294
HTSS-0201MS	ERC# - 021E	-	\$6,460	\$6,650	\$730	17.60	-	SMALL	B	1	1/2	7/8	1/2	356
HTSS-0300MS	ERF# - 031E	\$7,680	\$7,510	\$7,730	\$760	25.70	-	MEDIUM	C	2	1/2	1-1/8	5/8	493
HTSS-0301MS	3RA# - 031E	-	\$8,280	\$8,520	\$760	28.90	-	MEDIUM	C	2	1/2	1-1/8	5/8	493
HTSS-0400MS	NRB# - 040E	-	\$8,800	\$9,060	\$1,010	31.40	-	MEDIUM	C	2	1/2	1-1/8	5/8	547
Semi-Hermetic - Low Temperature - R404A														
HTSS-0050LS	KAN# - 006E	\$4,460	\$4,540	-	\$540	-	1.90	SMALL	A	1	3/8	7/8	1/2	280
HTSS-0070LS	KAM# - 007E	\$4,520	\$4,550	-	\$540	-	3.30	SMALL	A	1	3/8	7/8	1/2	280
HTSS-0100LS	KAJ# - 011E	\$4,770	\$4,820	\$4,960	\$540	-	4.50	SMALL	A	1	3/8	7/8	1/2	282
HTSS-0150LS	KAL# - 016E	\$5,560	\$5,580	\$5,740	\$600	-	6.50	SMALL	B	1	1/2	7/8	1/2	294
HTSS-0200LS	EAV# - 021E	\$6,610	\$6,670	\$6,860	\$550	-	8.00	SMALL	B	1	1/2	7/8	1/2	356
HTSS-0250LS	LAH# - 032E	\$8,170	\$7,830	\$8,060	\$790	-	12.90	MEDIUM	C	2	1/2	1-1/8	5/8	526

* Standard Unit Supplied with Liquid Line Kit and Pumpdown Switch

CABINET SIZE			
	L	W	H
Small	41.750	32.000	24.294
Medium	48.000	34.750	36.285
Large	--	--	--

RECEIVER SIZE & CAPACITY			
RECEIVER SIZE	CAPACITY - 90% FULL		HEATED/ INSULATED RECEIVER KIT
	R-22(LBS)	R-404A/R507(LBS)	LIST PRICE
A 6 X 12	12.8	11.1	\$120
B 6 X 18	19.2	16.7	\$120
C 6 X 23	24.6	21.4	\$120
D 6 X 30	32.0	27.9	\$120
E 8-5/8 X 30	62.0	53.9	\$120
F 10-3/4 X 30	94.6	82.3	\$120
G 10-3/4 X 38	122.0	106.2	--
H 12-3/4 X 30	115.0	100.1	\$130

HTSZ SERIES CONDENSING UNITS

MODEL	COMPRES MODEL	LIST PRICE				Optional 4-Year Extended Warranty	@ 95° Ambient		TECHNICAL SPECIFICATION						SHIPPING WGT.(LBS)
		Voltage			Compressor		MBH		Cabinet Size	Rcvr Size	Cond Size	Connections			
		208V/1P	208V/3P	460V/3P			@ +25° SST	@ -20° SST				Liq	Suct	Disc	
		H	H	H			D	K				M			
Scroll - Medium Temperature - R-22															
HTSZ-0200MV	ZS15K4E	\$5,830	\$5,900	\$6,080	\$720	16.40	-	Small	B	1	1/2"	1-1/8"	5/8"	263	
HTSZ-0250MV	ZS19K4E	\$6,360	\$6,000	\$6,180	\$720	21.10	-	Medium	C	2	1/2"	1-1/8"	5/8"	381	
HTSZ-0300MV	ZS21K4E	\$6,400	\$6,230	\$6,420	\$720	23.50	-	Medium	C	2	1/2"	1-1/8"	5/8"	381	
HTSZ-0350MV	ZS26K4E	\$6,520	\$6,790	\$6,990	\$720	28.10	-	Medium	C	2	1/2"	1-1/8"	5/8"	384	
HTSZ-0400MV	ZS30K4E	\$6,960	\$7,600	\$7,830	\$720	33.60	-	Medium	D	3	5/8"	1-1/8"	5/8"	450	
HTSZ-0500MV	ZS38K4E	\$7,010	\$7,820	\$8,050	\$720	40.20	-	Medium	D	3	5/8"	1-1/8"	7/8"	460	
HTSZ-0600MV	ZS45K4E	-	\$8,280	\$8,530	\$720	48.60	-	Medium	E	4	5/8"	1-3/8"	7/8"	515	
HTSZ-0750MV	ZS56K4E	-	\$14,500	\$14,930	\$920	60.00	-	Large	E	5	5/8"	1-3/8"	7/8"	879	
HTSZ-1000MV	ZS75K4E	-	\$17,570	\$18,100	\$920	84.90	-	Large	F	7	5/8"	1-3/8"	7/8"	939	
HTSZ-1300MV	ZS92K4E	-	\$18,650	\$19,210	\$920	101.40	-	Large	H	7	7/8"	1-5/8"	1-1/8"	1087	
HTSZ-1500MV	ZS11M4E	-	\$19,610	\$20,200	\$720	113.70	-	Large	H	7	7/8"	1-5/8"	1-1/8"	1192	
Scroll - Low Temperature - R-22															
HTSZ-0200LV	ZF06K4E	\$6,230	\$5,880	\$6,050	\$760	-	6.80	SMALL	A	1	3/8"	7/8"	1/2"	247	
HTSZ-0250LV	ZF08K4E	\$6,270	\$5,970	\$6,150	\$760	-	8.50	SMALL	A	1	3/8"	7/8"	1/2"	256	
HTSZ-0300LV	ZF09K4E	\$6,380	\$6,230	\$6,420	\$760	-	9.50	SMALL	B	1	1/2"	1-1/8"	5/8"	357	
HTSZ-0350LV	ZF11K4E	\$6,510	\$6,790	\$6,990	\$760	-	12.00	MEDIUM	C	2	1/2"	1-1/8"	5/8"	428	
HTSZ-0400LV	ZF13K4E	\$7,420	\$7,540	\$7,770	\$760	-	13.70	MEDIUM	C	2	1/2"	1-1/8"	5/8"	445	
HTSZ-0500LV	ZF15K4E	\$7,650	\$7,760	\$7,990	\$830	-	16.50	MEDIUM	C	2	1/2"	1-1/8"	5/8"	455	
HTSZ-0600LV	ZF18K4E	-	\$8,280	\$8,530	\$830	-	19.80	MEDIUM	C	3	5/8"	1-3/8"	7/8"	466	
HTSZ-0750LV	ZF24K4E	-	\$12,870	\$13,260	\$900	-	23.80	MEDIUM	D	4	5/8"	1-3/8"	7/8"	612	
HTSZ-1000LV	ZF33K4E	-	\$15,780	\$16,260	\$900	-	34.00	LARGE	E	5	5/8"	1-3/8"	7/8"	878	
Scroll - Medium Temperature - R-404A															
HTSZ-0200MS	ZS15K4E	\$5,830	\$5,900	\$6,080	\$720	17.20	-	SMALL	B	1	1/2"	1-1/8"	5/8"	263	
HTSZ-0250MS	ZS19K4E	\$6,360	\$6,000	\$6,180	\$720	22.00	-	MEDIUM	C	2	1/2"	1-1/8"	5/8"	381	
HTSZ-0300MS	ZS21K4E	\$6,400	\$6,230	\$6,420	\$720	24.20	-	MEDIUM	C	2	1/2"	1-1/8"	5/8"	381	
HTSZ-0350MS	ZS26K4E	\$6,520	\$6,790	\$6,990	\$720	28.70	-	MEDIUM	C	2	1/2"	1-1/8"	5/8"	384	
HTSZ-0400MS	ZS30K4E	\$6,960	\$7,600	\$7,830	\$720	35.20	-	MEDIUM	D	3	5/8"	1-1/8"	5/8"	450	
HTSZ-0500MS	ZS38K4E	\$7,120	\$7,820	\$8,050	\$720	40.70	-	MEDIUM	D	3	5/8"	1-1/8"	7/8"	460	
HTSZ-0600MS	ZS45K4E	-	\$8,280	\$8,530	\$720	49.50	-	MEDIUM	E	4	5/8"	1-3/8"	7/8"	515	
HTSZ-0750MS	ZS56K4E	-	\$14,500	\$14,930	\$920	62.90	-	LARGE	E	5	5/8"	1-3/8"	7/8"	879	
HTSZ-1000MS	ZS75K4E	-	\$17,570	\$18,100	\$920	88.10	-	LARGE	F	7	5/8"	1-3/8"	7/8"	939	
HTSZ-1300MS	ZS92K4E	-	\$18,650	\$19,210	\$920	102.40	-	LARGE	H	7	7/8"	1-5/8"	1-1/8"	1087	
HTSZ-1500MS	ZS11M4E	-	\$19,610	\$20,200	\$720	112.80	-	LARGE	H	7	7/8"	1-5/8"	1-1/8"	1192	
Scroll - Low Temperature - R-404A															
HTSZ-0200LS	ZF06K4E	\$6,230	\$5,870	\$6,050	\$760	-	7.30	SMALL	A	1	3/8"	7/8"	1/2"	247	
HTSZ-0250LS	ZF08K4E	\$6,270	\$5,970	\$6,150	\$760	-	9.00	SMALL	A	1	3/8"	7/8"	1/2"	256	
HTSZ-0300LS	ZF09K4E	\$6,380	\$6,230	\$6,420	\$760	-	10.00	SMALL	B	1	1/2"	1-1/8"	5/8"	357	
HTSZ-0350LS	ZF11K4E	\$6,510	\$6,790	\$6,990	\$760	-	12.60	MEDIUM	C	2	1/2"	1-1/8"	5/8"	428	
HTSZ-0400LS	ZF13K4E	\$7,420	\$7,540	\$7,770	\$760	-	14.20	MEDIUM	C	2	1/2"	1-1/8"	5/8"	445	
HTSZ-0500LS	ZF15K4E	\$7,650	\$7,760	\$7,990	\$830	-	17.20	MEDIUM	C	2	1/2"	1-1/8"	5/8"	455	
HTSZ-0600LS	ZF18K4E	-	\$8,280	\$8,530	\$830	-	21.20	MEDIUM	D	3	5/8"	1-3/8"	7/8"	466	
HTSZ-0750LS	ZF24K4E	-	\$12,870	\$13,260	\$900	-	25.30	MEDIUM	D	4	5/8"	1-3/8"	7/8"	612	
HTSZ-1000LS	ZF33K4E	-	\$15,780	\$16,260	\$900	-	36.90	LARGE	E	5	5/8"	1-3/8"	7/8"	878	

* Standard Unit Supplied with Liquid Line Kit and Pumpdown

RECEIVER SIZE & CAPACITY

CABINET SIZE	L	W	H
Small	41.750	32.000	24.294
Medium	48.000	34.750	36.285
Large	83.860	34.750	36.285

RECEIVER SIZE	CAPACITY - 90% FULL		HEATED/INSULATED RECEIVER KIT LIST PRICE
	R-22(LBS)	R-404A/R507(LBS)	
A 6 X 12	12.8	11.1	\$120
B 6 X 18	19.2	16.7	\$120
C 6 X 23	24.6	21.4	\$120
D 6 X 30	32.0	27.9	\$120
E 8-5/8 X 30	62.0	53.9	\$120
F 10-3/4 X 30	94.6	82.3	\$120
G 10-3/4 X 38	122.0	106.2	--
H 12-3/4 X 30	115.0	100.1	\$130

OPTIONS

Non-Replaceable Suction Filter (Note 1)	
Suction Connection	Price List
1/2	\$90
5/8	\$90
7/8	\$90
1-1/8	\$90
1-3/8	\$130
1-5/8	\$140
2-1/8	\$310

Liquid Line Solenoid Valve (Ship Loose)	
Liquid Connection	Price List
3/8	\$180
1/2	\$230
5/8	\$230
7/8	\$330

Heated / Insulated Receiver	
Receiver Size	Price List
A, B, C, D	\$120
E, F	\$130
G, H	\$130

Defrost Timer	Price List
Standard	\$350

Condenser Size	Condenser Coil Protection (Note 2 and 3)				
	Electrofin	Phenolic	Vinyl	Gray Backed	Copper Fin
1	\$860	\$1,060	\$2,400	\$2,570	\$3,000
2	\$1,170	\$1,440	\$2,790	\$3,020	\$3,630
3	\$1,170	\$1,440	\$2,790	\$3,020	\$3,630
4	\$1,410	\$1,750	\$3,000	\$3,180	\$4,260
5	\$2,160	\$2,670	\$3,570	\$3,900	\$5,580
7	\$2,610	\$3,230	\$3,800	\$4,080	\$7,250

Cabinet Size	Standard Aluminum	Sub-Cooling Coil Protection (Note 2)				
		Electrofin	Phenolic	Vinyl	Gray Backed	Copper Fin
Small	\$400	\$1,260	\$1,460	\$2,430	\$2,610	\$2,520
Medium	\$480	\$1,310	\$1,510	\$2,530	\$2,740	\$2,660
Large	\$700	\$1,530	\$1,740	\$2,790	\$3,040	\$3,020

Suction Accumulator	
Suction connection	Price List
5/8	\$350
7/8	\$350
1 1/8	\$390
1 3/8	\$440
1 5/8	\$520
2 1/8	\$640

Oil Separator	
Discharge	Price List
1/2 (S)	\$1,140
5/8 (M)	\$1,140
7/8 (M)	\$1,140
1 1/8 (L)	\$1,540

Fan Cycling	
Cond Size	# of Fans
1	1
2	1
6	2
4	2
5	4
7	4

Fused Disconnect	
Amp/Poles/Voltage	Price List
30A 3P 240V	\$400
60A 3P 240V	\$640
100A 3P 240V	\$920
200A 3P 240V	\$1,690
30A 3P 600V	\$1,140
60A 3P 600V	\$760
100A 3P 600V	\$1,190
200A 3P 600V	\$1,690

Phase Loss Monitor	
Voltage	Price List
208 - 460V	\$267
575V	\$267

Fan Cycling (per fan)	
Cycle	Price List
1 Step	\$270
2 Step	\$540
3 Step	\$810
4 Step	\$1,080

Note 1: Non-Replaceable Suction Filter is an Option on All Units.
 Note 2: Consult Factory for Lead Time on Condenser/Subcooling with Coil Protection.
 The Sub-Cooling MUST have the same protection than the Condenser has.
 Note 3: Condensers With Coil Protection MUST NOT be Sold Separately.
 Consult Factory for Just the Price List for Condenser With Coil Protection.

Standard Features List

HTS Condensing Units



Small Standard H-Series Unit



Medium Heavy Duty H-Series Unit



Large Standard H-Series Unit

- Outdoor Housing
- Manual Re-set High Pressure control (cartridge type)
- Adjustable auto-rest low pressure control
- Oil pressure failure control (Sentronic for Copeland/Electro-mechanical for Bitzer)
- Head Pressure Control (winter control valve)
- Crankcase heater
- Vertical receiver with fusible plug
- Suction accumulator on all scroll compressor units and extended medium temp hermetic compressor units
- Compressor contactor
- Fuses for compressor power
- Separate fuses for control circuit power
- UL Listed

FEATURES INCLUDED WITH KRACK STOCK UNITS

FEATURES INCLUDED WITH KRACK STOCK UNITS	
Description	Stock
Crankcase heater	Standard
Head pressure control flooding valve	Standard
Liquid drier, sight glass and ball valve	Standard
Suction filter	N/A
Suction accumulator Std on Scroll and EM units	N/A
Oil separator with discharge check valve	N/A
Pumpdown switch	Standard
Liquid line solenoid valve Ship Loose	N/A
Liquid line solenoid valve factory installed	N/A
Replaceable core liquid line filter	N/A
Replaceable core suction line filter	N/A
Subcooling coil	N/A
Protective coil coatings	N/A
Oversize receiver	N/A
Insulated and heated receiver	N/A
Pressure relief valve	N/A
Auto reset high pressure control	Standard
Adjustable low pressure control	Standard
Phase loss / low voltage monitor	N/A
Fan cycling control	N/A
Thermostat (ship loose)	N/A
Air or electric defrost kit	N/A
Electric defrost contactor	N/A
Fused disconnect Ship Loose	N/A

Note: Not included in HTST Units

H-SERIES CONDENSING UNIT - DEFROST KITS

COND UNIT VOLTAGE	ELECTRIC DEFROST KIT ** W/ FUSES	EVAPORATOR HEATERS					EVAPORATOR MOTORS			PRICE LIST US\$
		GROUP A		GROUP B		DEFROST VOLTAGE	NUMBER CONTACT	MAX. AMPS	EVAP. VOLTAGE	
		NUMBER OF CONTACTORS	MAX. AMPS	NUMBER OF CONTACTORS	MAX. AMPS					
208/1/60	E-2-FDA	1	16	0	0	208/1/60	1	12	208/1/60	\$770
208/1/60	E-2-FDB	1	20	0	0	208/1/60	1	12	208/1/60	\$770
208/1/60	E-2-FDC	1	40	0	0	208/1/60	1	12	208/1/60	\$770
208/1/60	E-2-FDD	1	48	0	0	208/1/60	1	12	208/1/60	\$770
208/3/60	E-2-FKA	1	12	0	0	208/1/60	1	12	208/1/60	\$770
208/3/60	E-2-FKB	1	16	0	0	208/1/60	1	12	208/1/60	\$770
208/3/60	E-2-FKC	1	20	0	0	208/1/60	1	12	208/1/60	\$770
208/3/60	E-2-FKD	1	28	0	0	208/1/60	1	12	208/1/60	\$770
208/3/60	E-2-FKE	1	32	0	0	208/1/60	1	12	208/1/60	\$770
208/3/60	E-2-FKF	1	24	0	0	208/3/60	1	12	208/1/60	\$770
208/3/60	E-2-FKG	1	40	0	0	208/3/60	1	12	208/1/60	\$770
208/3/60	E-2-FKH	1	48	0	0	208/3/60	1	12	208/1/60	\$770
208/3/60	E-3-FKA	1	48	0	0	208/3/60	1	12	208/3/60	\$1,130
208/3/60	E-4-FKA	2	48	0	0	208/3/60	1	12	208/3/60	\$1,560
208/3/60	E-4-FKB	4	48	0	0	208/3/60	2	12	208/3/60	\$1,560
208/3/60	E-4-FKC	1	48	1	24	208/3/60	1	12	208/3/60	\$1,560
208/3/60	E-4-FKD	2	48	2	24	208/3/60	2	12	208/3/60	\$1,560
208/3/60	E-4-FKE	1	48	1	40	208/3/60	1	12	208/3/60	\$1,560
208/3/60	E-4-FKF	2	48	2	40	208/3/60	2	12	208/3/60	\$1,560
460/3/60	E-2-FMA	1	24	0	0	208/3/60	1	12	208/1/60	\$770
460/3/60	E-2-FMB	1	40	0	0	208/3/60	1	12	208/1/60	\$770
460/3/60	E-2-FMC	1	48	0	0	208/3/60	1	12	208/1/60	\$770
460/3/60	E-3-FMA	1	48	0	0	208/3/60	1	12	208/3/60	\$1,130
460/3/60	E-4-FMA	2	48	0	0	208/3/60	1	12	208/3/60	\$1,560
460/3/60	E-4-FMB	4	48	0	0	208/3/60	2	12	208/3/60	\$1,560
460/3/60	E-4-FMC	1	48	1	24	208/3/60	1	12	208/3/60	\$1,560
460/3/60	E-4-FMD	2	48	2	24	208/3/60	2	12	208/3/60	\$1,560
460/3/60	E-4-FME	1	48	1	40	208/3/60	1	12	208/3/60	\$1,560
460/3/60	E-4-FMF	2	48	2	40	208/3/60	2	12	208/3/60	\$1,560
460/3/60	E-3-FMB	1	12	0	0	460/1/60	1	12	460/1/60	\$1,130
460/3/60	E-3-FMC	1	16	0	0	460/1/60	1	12	460/1/60	\$1,130
460/3/60	E-3-FML	1	20	0	0	460/1/60	1	12	460/1/60	\$1,130
460/3/60	E-3-FMD	1	24	0	0	460/1/60	1	12	460/1/60	\$1,130
460/3/60	E-3-FMM	1	28	0	0	460/1/60	1	12	460/1/60	\$1,130
460/3/60	E-3-FMN	1	32	0	0	460/1/60	1	12	460/1/60	\$1,130
460/3/60	E-3-FME	1	36	0	0	460/1/60	1	12	460/1/60	\$1,130
460/3/60	E-3-FMO	1	40	0	0	460/1/60	1	12	460/1/60	\$1,130
460/3/60	E-3-FMF	1	48	0	0	460/1/60	1	12	460/1/60	\$1,130
460/3/60	E-3-FMG	1	12	0	0	460/3/60	1	12	460/3/60	\$1,130
460/3/60	E-3-FMH	1	16	0	0	460/3/60	1	12	460/3/60	\$1,130
460/3/60	E-3-FMP	1	20	0	0	460/3/60	1	12	460/3/60	\$1,130
460/3/60	E-3-FMI	1	24	0	0	460/3/60	1	12	460/3/60	\$1,130
460/3/60	E-3-FMQ	1	28	0	0	460/3/60	1	12	460/3/60	\$1,130
460/3/60	E-4-FMO	2	28	0	0	460/3/60	1	12	460/3/60	\$1,560
460/3/60	E-3-FMR	1	32	0	0	460/3/60	1	12	460/3/60	\$1,130
460/3/60	E-4-FMP	2	32	0	0	460/3/60	1	12	460/3/60	\$1,560

NOTE: 575 VOLT AND 380 VOLT/50 HZ UNITS, ADD 2% TO 460 VOLT PRICES

460/3/60	E-4-FMQ	3	32	0	0	460/3/60	2	12	460/3/60	\$1,560
460/3/60	E-3-FMS	1	36	0	0	460/3/60	1	12	460/3/60	\$1,130
460/3/60	E-4-FMR	2	36	0	0	460/3/60	1	12	460/3/60	\$1,560
460/3/60	E-4-FMS	3	36	0	0	460/3/60	2	12	460/3/60	\$1,560
460/3/60	E-4-FMT	4	36	0	0	460/3/60	2	12	460/3/60	\$1,560
460/3/60	E-3-FMJ	1	40	0	0	460/3/60	1	12	460/3/60	\$1,130
460/3/60	E-4-FMH	2	40	0	0	460/3/60	1	12	460/3/60	\$1,560
460/3/60	E-4-FMI	3	40	0	0	460/3/60	2	12	460/3/60	\$1,560
460/3/60	E-4-FMJ	4	40	0	0	460/3/60	2	12	460/3/60	\$1,560
460/3/60	E-3-FMK	1	48	0	0	460/3/60	1	12	460/3/60	\$1,130
460/3/60	E-4-FMG	2	48	0	0	460/3/60	1	12	460/3/60	\$1,560
460/3/60	E-4-FMK	3	48	0	0	460/3/60	2	12	460/3/60	\$1,560
460/3/60	E-4-FML	4	48	0	0	460/3/60	2	12	460/3/60	\$1,560
460/3/60	E-4-FMM	1	48	1	40	460/3/60	1	12	460/3/60	\$1,560
460/3/60	E-4-FMN	2	48	2	40	460/3/60	2	12	460/3/60	\$1,560

* SUPPLY 2 VOLTAGE

** FOR 575V/3/60, E-#-FM# BECAMES E-#-FP#

COND UNIT VOLTAGE	DEFROST KIT	DESCRIPTION	EVAPORATOR MOTORS			PRICE LIST US\$
	W/ FUSES		NUMBER OF CONTACTORS	MAX. AMPS	EVAP. VOLTAGE	
ALL	A-1	ONLY AIR DEFROST TIMER	-	-	-	\$370
208/1/60	A-2-FDA	AIR DEFROST TIMER W/ FAN CONTACTOR	1	12	208/1/60	\$640
208/3/60	A-2-FKA	AIR DEFROST TIMER W/ FAN CONTACTOR	1	12	208/3/60	\$640
460/3/60	A-2-FMA	AIR DEFROST TIMER W/ FAN CONTACTOR	1	12	460/3/60	\$640
575/3/60	A-2-FPA	AIR DEFROST TIMER W/ FAN CONTACTOR	1	12	575/3/60	\$640

Standard	Compressor Model		MBH@		List Price			Optional Htd Ins Receiver	O P T I O N S					Optional 4-Year Extended Compressor Warranty		
	High Temp Models	Ingersoll Rand	Copeland Discus	+25 SST	-20 SST	230V (K)	460V (M)		575V(P)	Suction ccumulat	Oil Separator	Repl Core Suct Filter	Pressure fan	Suction filter	IR	Copeland Discus
CS*0100H2	IR4C1761S	3DB3R12ME	105.4	-	\$16,670	\$17,100	\$17,460	\$1,560	\$1,340	\$2,440	\$1,250	-	\$830	\$1,130	\$1,290	
CS*0150H2	IR4C2397S	3DS3R17ME	141.5	-	\$18,550	\$19,060	\$19,480	\$1,560	\$1,340	\$2,440	\$1,250	\$880	\$830	\$1,260	\$1,390	
CS*0200H2	IR4B2707P	4DA3R18ME	151.4	-	\$20,950	\$21,630	\$22,100	\$1,560	\$1,340	\$2,510	\$1,250	\$880	\$830	\$1,490	\$1,440	
CS*0250H2	IR4B3139P	4DH3R22ME	195.9	-	\$25,460	\$26,170	\$26,720	\$1,660	\$1,340	\$2,510	\$1,250	\$880	\$830	\$1,670	\$1,800	
CS*0300H2	IR4B3604P	4DJ3R28ME	228.8	-	\$31,540	\$32,290	\$32,970	\$1,710	\$1,340	\$2,510	\$1,250	\$880	\$830	\$1,920	\$1,970	
CS*0350H2	IR6B4709P	6DH3R35ME	281.1	-	\$35,910	\$36,700	\$37,490	\$1,710	\$1,340	\$3,140	\$1,250	\$1,400	\$830	\$2,300	\$2,330	
CS*0400H2	IR6B5406P	6DJ3R40ME	336.3	-	\$39,270	\$40,100	\$40,950	\$1,760	\$1,340	\$3,140	\$1,250	\$1,400	\$830	\$2,240	\$2,390	
CS*0500H2	IR6B6462P	8DP1-5000	428.3	-	\$52,790	\$54,520	\$55,680	\$1,760	\$1,740	\$3,850	\$1,620	\$1,920	\$1,140	\$2,670	\$2,870	
CS*0600H2	IR8C7863P**	8DS1-6000	497.8	-	\$61,870	\$63,210	\$64,560	\$1,830	\$1,740	\$3,850	\$1,620	\$2,970	\$1,140	\$2,670	\$3,440	
CS*0150M4	IR4C2397S	3DS3R17ME	144.4	-	\$18,550	\$19,060	\$19,480	\$1,560	\$1,340	\$2,440	\$1,250	\$880	\$830	\$1,260	\$1,390	
CS*0200M4	IR4B2707P	4DA3R18ME	151.0	-	\$20,950	\$21,630	\$22,100	\$1,560	\$1,340	\$2,440	\$1,250	\$880	\$830	\$1,490	\$1,440	
CS*0250M4	IR4B3139P	4DH3R22ME	193.5	-	\$25,460	\$26,170	\$26,720	\$1,660	\$1,340	\$2,440	\$1,250	\$880	\$830	\$1,670	\$1,800	
CS*0300M4	IR4B3604P	4DJ3R28ME	229.8	-	\$31,540	\$32,290	\$32,970	\$1,710	\$1,340	\$2,440	\$1,250	\$880	\$830	\$1,920	\$1,970	
CS*0350M4	IR6B4709P	6DH3R35ME	280.1	-	\$35,910	\$36,700	\$37,490	\$1,760	\$1,340	\$2,510	\$1,250	\$1,400	\$830	\$2,300	\$2,330	
CS*0400M4	IR6B5406P	6DJ3R40ME	340.6	-	\$39,270	\$40,100	\$40,950	\$1,760	\$1,740	\$2,510	\$1,250	\$1,400	\$830	\$2,240	\$2,390	
CS*0150L2	IR4B3139P	4DL3F63KE	-	61.4	\$25,260	\$25,930	\$26,470	\$1,560	INCL	\$2,440	\$1,250	-	\$830	\$1,670	\$1,770	
CS*0220L2	IR4B3604P	4DT3F76KE	-	73.7	\$27,760	\$28,540	\$29,140	\$1,560	INCL	\$2,510	\$1,250	\$880	\$830	\$1,920	\$2,010	
CS*0270L2	IR6B4709P	6DL3F93KE	-	92.9	\$32,400	\$32,300	\$32,980	\$1,560	INCL	\$2,510	\$1,250	\$880	\$830	\$2,300	\$2,240	
CS*0300L2	IR6B5406P	6DT3F11ME	-	109.0	\$35,830	\$36,120	\$36,880	\$1,560	INCL	\$2,510	\$1,250	\$880	\$830	\$2,240	\$2,370	
CS*0150L4	IR4B3139P	4DL3F63KE	-	71.1	\$24,170	\$24,270	\$24,770	\$1,560	INCL	\$2,440	\$1,250	-	\$830	\$1,670	\$1,770	
CS*0220L4	IR4B3604P	4DT3F76KE	-	86.3	\$26,690	\$26,740	\$27,310	\$1,560	INCL	\$2,510	\$1,250	\$880	\$830	\$1,920	\$2,010	
CS*0270L4	IR6B4709P	6DL3F93KE	-	107.9	\$31,060	\$31,170	\$31,830	\$1,660	INCL	\$2,510	\$1,250	\$880	\$830	\$2,300	\$2,240	
CS*0300L4	IR6B5406P	6DT3F11ME	-	120.3	\$34,420	\$35,170	\$35,900	\$1,660	INCL	\$2,510	\$1,250	\$880	\$830	\$2,240	\$2,370	

Standard	Unit size	L	W	H	Shipping g wt. (lbs)
CS*0100H2	A	92.00	45.25	51.50	1,564
CS*0150H2	B	#####	45.25	51.50	1,848
CS*0200H2	B	#####	45.25	51.50	1,931
CS*0250H2	B	#####	45.25	51.50	2,064
CS*0300H2	B	#####	45.25	51.50	2,173
CS*0350H2	C	#####	45.25	51.50	2,656
CS*0400H2	C	#####	45.25	51.50	2,787
CS*0500H2	D	#####	90.50	51.50	3,330
CS*0600H2	E	#####	90.50	51.50	3,950
CS*0150M4	B	#####	45.25	51.50	1,834
CS*0200M4	B	#####	45.25	51.50	1,882
CS*0250M4	B	#####	45.25	51.50	2,002
CS*0300M4	B	#####	45.25	51.50	2,106
CS*0350M4	C	#####	45.25	51.50	2,511
CS*0400M4	C	#####	45.25	51.50	2,820
CS*0150L2	A	92.00	45.25	51.50	1,639
CS*0220L2	B	#####	45.25	51.50	1,885
CS*0270L2	B	#####	45.25	51.50	2,044
CS*0300L2	B	#####	45.25	51.50	2,069
CS*0150L4	A	92.00	45.25	51.50	1,639
CS*0220L4	B	#####	45.25	51.50	1,890
CS*0270L4	B	#####	45.25	51.50	2,056
CS*0300L4	B	#####	45.25	51.50	2,170

Oversized	Compressor Model		MBH@		List Price			Optional Htd Ins Receiver	O P T I O N S					Optional 4-Year Extended Compressor Warranty		
	High Temp Models	Ingersoll Rand	Copeland Discus	+25 SST	-20 SST	230V (K)	460V (M)		575V(P)	Suction ccumulat	Oil Separator	Repl Core Suct Filter	Pressure fan	Suction filter	IR	Copeland Discus
CS*0101H2	IR4C1761S	3DB3R12ME	108.8	-	\$19,080	\$19,530	\$19,950	\$1,560	\$1,340	\$2,440	\$1,250	\$880	\$830	\$1,130	\$1,290	
CS*0151H2	IR4C2397S	3DS3R17ME	143.7	-	\$19,910	\$20,410	\$20,860	\$1,660	\$1,340	\$2,440	\$1,250	\$880	\$830	\$1,260	\$1,390	
CS*0201H2	IR4B2707P	4DA3R18ME	154.0	-	\$22,310	\$22,990	\$23,480	\$1,660	\$1,340	\$2,510	\$1,250	\$880	\$830	\$1,490	\$1,440	
CS*0251H2	IR4B3139P	4DH3R22ME	198.9	-	\$26,770	\$27,480	\$28,070	\$1,660	\$1,340	\$2,510	\$1,250	\$1,400	\$830	\$1,670	\$1,800	
CS*0301H2	IR4B3604P	4DJ3R28ME	234.2	-	\$33,530	\$34,290	\$35,020	\$1,710	\$1,340	\$2,510	\$1,250	\$1,400	\$830	\$1,920	\$1,970	
CS*0351H2	IR6B4709P	6DH3R35ME	283.9	-	\$38,620	\$39,420	\$40,240	\$1,760	\$1,340	\$3,140	\$1,250	\$1,400	\$830	\$2,300	\$2,330	
CS*0401H2	IR6B5406P	6DJ3R40ME	347.5	-	\$45,730	\$46,560	\$47,550	\$1,760	\$1,340	\$3,140	\$1,250	\$1,920	\$830	\$2,240	\$2,390	
CS*0501H2	IR6B6462P	8DP1-5000	441.2	-	\$60,640	\$62,360	\$63,690	\$1,830	\$1,740	\$3,850	\$1,620	\$2,970	\$1,140	\$2,670	\$2,870	
CS*0601H2	IR8C7863P**	8DS1-6000	514.1	-	\$74,310	\$75,660	\$77,250	\$1,910	\$1,740	\$3,850	\$1,620	\$2,970	\$1,140	\$2,670	\$3,440	
CS*0151M4	IR4C2397S	3DS3R17ME	148.7	-	\$19,910	\$20,410	\$20,860	\$1,660	\$1,340	\$2,440	\$1,250	\$880	\$830	\$1,260	\$1,390	
CS*0201M4	IR4B2707P	4DA3R18ME	156.8	-	\$22,310	\$22,990	\$23,480	\$1,660	\$1,340	\$2,440	\$1,250	\$880	\$830	\$1,490	\$1,440	
CS*0251M4	IR4B3139P	4DH3R22ME	203.8	-	\$28,810	\$29,500	\$30,140	\$1,710	\$1,340	\$2,440	\$1,250	\$1,400	\$830	\$1,670	\$1,800	
CS*0301M4	IR4B3604P	4DJ3R28ME	239.7	-	\$33,530	\$34,290	\$35,020	\$1,760	\$1,340	\$2,440	\$1,250	\$1,400	\$830	\$1,920	\$1,970	
CS*0351M4	IR6B4709P	6DH3R35ME	304.5	-	\$42,000	\$42,790	\$43,700	\$1,760	\$1,340	\$2,510	\$1,250	\$1,920	\$830	\$2,300	\$2,330	
CS*0401M4	IR6B5406P	6DJ3R40ME	354.2	-	\$43,020	\$43,860	\$44,790	\$1,830	\$1,740	\$2,510	\$1,250	\$1,920	\$830	\$2,240	\$2,390	
CS*0151L2	IR4B3139P	4DL3F63KE	-	63.1	\$26,420	\$27,090	\$27,670	\$1,560	INCL	\$2,440	\$1,250	\$880	\$830	\$1,670	\$1,770	
CS*0221L2	IR4B3604P	4DT3F76KE	-	74.6	\$29,110	\$29,900	\$30,520	\$1,560	INCL	\$2,510	\$1,250	\$880	\$830	\$1,920	\$2,010	
CS*0271L2	IR6B4709P	6DL3F93KE	-	93.9	\$33,710	\$33,620	\$34,330	\$1,560	INCL	\$2,510	\$1,250	\$1,400	\$830	\$2,300	\$2,240	
CS*0301L2	IR6B5406P	6DT3F11ME	-	111.6	\$39,180	\$39,470	\$40,310	\$1,660	INCL	\$2,510	\$1,250	\$1,400	\$830	\$2,240	\$2,370	
CS*0151L4	IR4B3139P	4DL3F63KE	-	73.1	\$25,330	\$25,420	\$25,960	\$1,560	INCL	\$2,440	\$1,250	\$880	\$830	\$1,670	\$1,770	
CS*0221L4	IR4B3604P	4DT3F76KE	-	88.3	\$28,040	\$28,090	\$28,690	\$1,660	INCL	\$2,510	\$1,250	\$880	\$830	\$1,920	\$2,010	
CS*0271L4	IR6B4709P	6DL3F93KE	-	109.4	\$32,380	\$32,480	\$33,180	\$1,660	INCL	\$2,510	\$1,250	\$1,400	\$830	\$2,300	\$2,240	
CS*0301L4	IR6B5406P	6DT3F11ME	-	123.4	\$36,420	\$37,160	\$37,940	\$1,710	INCL	\$2,510	\$1,250	\$1,400	\$830	\$2,240	\$2,370	

Oversized	Unit size	L	W	H	Shipping g wt. (lbs)
CS*0101H2	B	#####	45.25	51.50	1845
CS*0151H2	B	#####	45.25	51.50	1945
CS*0201H2	B	#####	45.25	51.50	2027
CS*0251H2	C	#####	45.25	51.50	2448
CS*0301H2	C	#####	45.25	51.50	2587
CS*0351H2	C	#####	45.25	51.50	2813
CS*0401H2	D	#####	45.25	51.50	3343
CS*0501H2	E	#####	45.25	51.50	4124
CS*0601H2	E	#####	45.25	51.50	4367
CS*0151M4	B	#####	45.25	51.50	1930
CS*0201M4	B	#####	45.25	51.50	1979
CS*0251M4	C	#####	45.25	51.50	2511
CS*0301M4	C	#####	45.25	51.50	2584
CS*0351M4	D	#####	45.25	51.50	3099
CS*0401M4	D	#####	45.25	51.50	3380
CS*0151L2	B	#####	45.25	51.50	1934
CS*0221L2	B	#####	45.25	51.50	1947
CS*0271L2	C	#####	45.25	51.50	2427
CS*0301L2	C	#####	45.25	51.50	2580
CS*0151L4	B	#####	45.25	51.50	1934
CS*0221L4	B	#####	45.25	51.50	1987
CS*0271L4	C	#####	45.25	51.50	2439
CS*0301L4	C	#####	45.25	51.50	2617

CD* - Dual Compressor Models

Two independent refrigerant and electrical circuits

Standard High Temp	Compressor Model		MBH@		List Price	List Price	Optional Htd Ins	O P T I O N S					Optional 4-Year Extended Compressor Warranty	
	Copeland		+25 SST	-20 SST				Suction	Oil	Repl Core	Pressure fan	Suction filter	IR	Copeland Discus
	Ingersoll Rand	Discus	230V(K),460 V(M)	575V(P)										
CD*0100H2	(2) IR4C0770S	(2) 2DC3R53KE	43.2	-	\$20,870	\$21,320	\$3,110	\$2,670	\$4,870	\$2,610	-	\$1,660	\$1,600	\$1,900
CD*0150H2	(2) IR4C1145S	(2) 2CD3R78KE	63.7	-	\$28,380	\$28,970	\$3,110	\$2,670	\$4,870	\$2,610	-	\$1,660	\$1,600	\$2,020
CD*0160H2	(2) IR4C1145S	(2) 2DA3R89KE	73.8	-	\$30,500	\$31,170	\$3,110	\$2,670	\$4,870	\$2,610	\$880	\$1,660	\$1,600	\$2,030
CD*0180H2	(2) IR4C1480S	(2) 3DA3R10ME	87.8	-	\$33,720	\$34,440	\$3,110	\$2,670	\$4,870	\$2,610	\$880	\$1,660	\$1,600	\$2,100
CD*0200H2	(2) IR4C1761S	(2) 3DB3R12ME	105.4	-	\$38,100	\$38,910	\$3,110	\$2,670	\$4,870	\$2,610	\$880	\$1,660	\$2,260	\$2,570
CD*0240H2	(2) IR4C2067S	(2) 3DF3R15ME	122.4	-	\$42,780	\$43,690	\$3,110	\$2,670	\$4,870	\$2,610	\$880	\$1,660	\$2,370	\$3,050
CD*0300H2	(2) IR4C2397S	(2) 3DS3R17ME	141	-	\$45,480	\$46,440	\$3,110	\$2,670	\$4,870	\$2,610	\$1,400	\$1,660	\$2,510	\$3,050
CD*0400H2	(2) IR4B2707P	(2) 4DA3R18ME	150.8	-	\$46,950	\$47,950	\$3,110	\$2,670	\$5,010	\$2,610	\$1,400	\$1,660	\$2,980	\$2,880
CD*0500H2	(2) IR4B3139P	(2) 4DH3R22ME	192.3	-	\$54,920	\$56,090	\$3,300	\$2,670	\$5,010	\$2,610	\$1,400	\$1,660	\$3,330	\$3,600
CD*0600H2	(2) IR4B3604P	(2) 4DJ3R28ME	228.8	-	\$61,960	\$63,270	\$3,420	\$2,670	\$5,010	\$2,610	\$1,920	\$1,660	\$3,830	\$3,930
CD*0700H2	(2) IR6B4709P	(2) 6DH3R35ME	281.2	-	\$69,220	\$70,710	\$3,420	\$2,670	\$6,270	\$2,610	\$2,970	\$1,660	\$4,590	\$4,650
CD*0800H2	(2) IR6B5406P	(2) 6DJ3R40ME	340.1	-	\$77,980	\$79,630	\$3,520	\$2,670	\$6,270	\$2,610	\$2,970	\$1,660	\$4,470	\$5,110
CD*1000H2	(2) IR6B6462P	(2) 8DP1-5000	428.3	-	\$99,320	\$101,370	\$3,520	\$3,480	\$7,700	\$3,240	\$1,920	\$2,270	\$7,690	\$5,730
CD*1200H2	(2) IR8C7863P**	(2) 8DS1-6000	500.9	-	\$115,070	\$118,080	\$3,640	\$3,480	\$7,700	\$3,240	\$2,440	\$2,270	\$7,690	\$6,880
CD*0400M4	(2) IR4B2707P	(2) 4DA3R18ME	149.7	-	\$46,950	\$47,330	\$3,110	\$2,670	\$5,010	\$2,610	\$1,400	\$1,660	\$2,980	\$2,880
CD*0500M4	(2) IR4B3139P	(2) 4DH3R22ME	188.2	-	\$54,920	\$55,470	\$3,300	\$2,670	\$5,010	\$2,610	\$1,400	\$1,660	\$3,330	\$3,600
CD*0600M4	(2) IR4B3604P	(2) 4DJ3R28ME	229.9	-	\$61,960	\$63,270	\$3,420	\$2,670	\$5,010	\$2,610	\$1,920	\$1,660	\$3,830	\$3,930
CD*0700M4	(2) IR6B4709P	(2) 6DH3R35ME	280.5	-	\$69,220	\$70,710	\$3,420	\$2,670	\$6,270	\$2,610	\$2,970	\$1,660	\$4,590	\$4,650
CD*0800M4	(2) IR6B5406P	(2) 6DJ3R40ME	340.7	-	\$77,980	\$79,630	\$3,520	\$3,480	\$6,270	\$2,610	\$2,970	\$1,660	\$4,470	\$4,780
CD*0440L2	(2) IR4B3604P	(2) 4DT3F76KE	-	73.5	\$54,350	\$55,500	\$3,110	INCL	\$5,010	\$2,610	\$1,400	\$1,660	\$3,830	\$4,010
CD*0540L2	(2) IR6B4709P	(2) 6CD3F93KE	-	91.8	\$60,490	\$61,760	\$3,300	INCL	\$5,010	\$2,610	\$1,400	\$1,660	\$4,590	\$4,470
CD*0600L2	(2) IR6B5406P	(2) 6DT3F11ME	-	109	\$66,050	\$67,450	\$3,300	INCL	\$5,010	\$2,610	\$1,920	\$1,660	\$4,470	\$4,740
CD*0440L4	(2) IR4B3604P	(2) 4DT3F76KE	-	85.9	\$51,820	\$52,910	\$3,110	INCL	\$5,010	\$2,610	\$1,400	\$1,660	\$3,830	\$4,010
CD*0540L4	(2) IR6B4709P	(2) 6CD3F93KE	-	106.1	\$57,960	\$59,170	\$3,300	INCL	\$5,010	\$2,610	\$1,400	\$1,660	\$4,590	\$4,470
CD*0600L4	(2) IR6B5406P	(2) 6DT3F11ME	-	118.8	\$63,520	\$64,870	\$3,300	INCL	\$5,010	\$2,610	\$1,920	\$1,660	\$4,470	\$4,740

Standard High Temp	Unit size	L	W	H	Shipping wgt. (lbs)
CD*0100H2	F	124.75	45.25	51.50	1748
CD*0150H2	F	124.75	45.25	51.50	1839
CD*0160H2	G	178.75	45.25	51.50	2378
CD*0180H2	G	178.75	45.25	51.50	2533
CD*0200H2	G	178.75	45.25	51.50	2660
CD*0240H2	G	178.75	45.25	51.50	2725
CD*0300H2	H	232.75	45.25	51.50	3115
CD*0400H2	H	232.75	45.25	51.50	3270
CD*0500H2	H	232.75	45.25	51.50	3509
CD*0600H2	I	146.00	90.50	51.50	3906
CD*0700H2	J	200.00	90.50	51.50	4613
CD*0800H2	J	200.00	90.50	51.50	5062
CD*1000H2	K	254.00	90.50	51.50	5802
CD*1200H2	L	308.00	90.50	51.50	6705
CD*0400M4	H	232.75	45.25	51.50	3168
CD*0500M4	H	232.75	45.25	51.50	3381
CD*0600M4	I	146.00	90.50	51.50	3776
CD*0700M4	J	200.00	90.50	51.50	4319
CD*0800M4	J	200.00	90.50	51.50	4942
CD*0440L2	H	232.75	45.25	51.50	3167
CD*0540L2	H	232.75	45.25	51.50	3452
CD*0600L2	I	146.00	90.50	51.50	3688
CD*0440L4	H	232.75	45.25	51.50	3179
CD*0540L4	H	232.75	45.25	51.50	3477
CD*0600L4	I	146.00	90.50	51.50	3765

Oversized High Temp	Compressor Model		MBH@		List Price	List Price	Optional Htd Ins	O P T I O N S					Optional 4-Year Extended Compressor Warranty	
	Copeland		+25 SST	-20 SST				Suction	Oil	Repl Core	Pressure fan	Suction filter	IR	Copeland Discus
	Ingersoll Rand	Discus	230V(K),460V(I)	575V(P)										
CD*0101H2	(2) IR4C0770S	(2) 2DC3R53KE	44.9	-	\$23,340	\$23,830	\$3,110	\$2,670	\$4,870	\$2,610	-	\$1,660	\$4,650	\$4,930
CD*0151H2	(2) IR4C1145S	(2) 2CD3R78KE	65.8	-	\$29,530	\$30,170	\$3,110	\$2,670	\$4,870	\$2,610	\$880	\$1,660	\$4,650	\$4,930
CD*0161H2	(2) IR4C1145S	(2) 2DA3R89KE	75.2	-	\$31,860	\$32,550	\$3,110	\$2,670	\$4,870	\$2,610	\$880	\$1,660	\$4,650	\$4,930
CD*0181H2	(2) IR4C1480S	(2) 3DA3R10ME	90.6	-	\$36,430	\$37,200	\$3,110	\$2,670	\$4,870	\$2,610	\$880	\$1,660	\$4,650	\$4,930
CD*0201H2	(2) IR4C1761S	(2) 3DB3R12ME	105.4	-	\$41,440	\$42,330	\$3,110	\$2,670	\$4,870	\$2,610	\$1,400	\$1,660	\$4,650	\$4,930
CD*0241H2	(2) IR4C2067S	(2) 3DF3R15ME	108.6	-	\$44,770	\$45,720	\$3,110	\$2,670	\$4,870	\$2,610	\$1,400	\$1,660	\$4,650	\$4,930
CD*0301H2	(2) IR4C2397S	(2) 3DS3R17ME	142.2	-	\$48,180	\$49,210	\$3,300	\$2,670	\$4,870	\$2,610	\$1,400	\$1,660	\$4,650	\$4,930
CD*0401H2	(2) IR4B2707P	(2) 4DA3R18ME	154.0	-	\$50,320	\$51,400	\$3,300	\$2,670	\$5,010	\$2,610	\$1,920	\$1,660	\$4,650	\$4,930
CD*0501H2	(2) IR4B3139P	(2) 4DH3R22ME	198.9	-	\$57,810	\$59,040	\$3,300	\$2,670	\$5,010	\$2,610	\$1,920	\$1,660	\$4,650	\$4,930
CD*0601H2	(2) IR4B3604P	(2) 4DJ3R28ME	234.2	-	\$66,720	\$68,140	\$3,420	\$2,670	\$5,010	\$2,610	\$2,970	\$1,660	\$4,650	\$4,930
CD*0701H2	(2) IR6B4709P	(2) 6DH3R35ME	283.9	-	\$75,000	\$76,590	\$3,520	\$2,670	\$6,270	\$2,610	\$2,970	\$1,660	\$4,650	\$4,930
CD*0801H2	(2) IR6B5406P	(2) 6DJ3R40ME	347.5	-	\$88,750	\$90,590	\$3,520	\$2,670	\$6,270	\$2,610	\$1,920	\$1,660	\$4,650	\$4,930
CD*1001H2	(2) IR6B6462P	(2) 8DP1-5000	439.6	-	\$117,360	\$120,410	\$3,640	\$3,480	\$7,700	\$3,240	\$2,440	\$2,270	\$4,650	\$4,930
CD*1201H2	(2) IR8C7863P**	(2) 8DS1-6000	514.1	-	\$128,210	\$130,880	\$3,820	\$3,480	\$7,700	\$3,240	\$2,970	\$2,270	\$4,650	\$4,930
CD*0401M4	(2) IR4B2707P	(2) 4DA3R18ME	156.6	-	\$59,210	\$59,850	\$3,300	\$2,670	\$5,010	\$2,610	\$1,920	\$1,660	\$4,650	\$4,930
CD*0501M4	(2) IR4B3139P	(2) 4DH3R22ME	203.8	-	\$63,440	\$64,790	\$3,420	\$2,670	\$5,010	\$2,610	\$2,970	\$1,660	\$4,650	\$4,930
CD*0601M4	(2) IR4B3604P	(2) 4DJ3R28ME	239.7	-	\$66,720	\$68,140	\$3,520	\$2,670	\$5,010	\$2,610	\$2,970	\$1,660	\$4,650	\$4,930
CD*0701M4	(2) IR6B4709P	(2) 6DH3R35ME	304.5	-	\$86,630	\$88,430	\$3,520	\$2,670	\$6,270	\$2,610	\$1,920	\$1,660	\$4,650	\$4,930
CD*0801M4	(2) IR6B5406P	(2) 6DJ3R40ME	354.2	-	\$88,750	\$90,590	\$3,640	\$3,480	\$6,270	\$2,610	\$1,920	\$1,660	\$4,650	\$4,930
CD*0441L2	(2) IR4B3604P	(2) 4DT3F76KE	-	74.0	\$57,050	\$58,260	\$3,300	INCL	\$5,010	\$2,610	\$1,400	\$1,660	\$4,650	\$4,930
CD*0541L2	(2) IR6B4709P	(2) 6CD3F93KE	-	93.7	\$64,240	\$65,600	\$3,300	INCL	\$5,010	\$2,610	\$1,920	\$1,660	\$4,650	\$4,930
CD*0601L2	(2) IR6B5406P	(2) 6DT3F11ME	-	111.6	\$73,900	\$75,470	\$3,300	INCL	\$5,010	\$2,610	\$2,970	\$1,660	\$4,650	\$4,930
CD*0441L4	(2) IR4B3604P	(2) 4DT3F76KE	-	88.3	\$55,190	\$56,370	\$3,300	INCL	\$5,010	\$2,610	\$1,920	\$1,660	\$4,650	\$4,930
CD*0541L4	(2) IR6B4709P	(2) 6CD3F93KE	-	109.0	\$61,710	\$63,010	\$3,300	INCL	\$5,010	\$2,610	\$1,920	\$1,660	\$4,650	\$4,930
CD*0601L4	(2) IR6B5406P	(2) 6DT3F11ME	-	123.4	\$71,360	\$72,880	\$3,300	INCL	\$5,010	\$2,610	\$2,970	\$1,660	\$4,650	\$4,930

Oversized High Temp	Unit size	L	W	H	Shipping wgt. (lbs)
CD*0101H2	F	124.75	45.25	51.50	1812
CD*0151H2	G	178.75	45.25	51.50	2371
CD*0161H2	G	178.75	45.25	51.50	2440
CD*0181H2	G	178.75	45.25	51.50	2729
CD*0201H2	H	232.75	45.25	51.50	3077
CD*0241H2	H	232.75	45.25	51.50	3079
CD*0301H2	H	232.75	45.25	51.50	3277
CD*0401H2	I	146.			

CP* - Parallel Compressor Models

One refrigeration circuit with two compressors and one electrical circuit

Standard High Temp	Compressor Model				List Price		Options			Optional 4-Year Extended Compressor Warranty	
	Copeland		MBH@				Heated & Insulated	Pressure fan	Suction filter	IR	Copeland Discus
	Ingersoll Rand	Discus	+25 SST	-20 SST	230V(K),460V(M)	575V(P)					
CP*0500H2	(2) IR4B3139P	(2) 4DH3R22ME	384.6	-	\$60,860	\$62,120	\$1,760	\$1,400	\$830	\$3,330	\$3,600
CP*0600H2	(2) IR4B3604P	(2) 4DJ3R28ME	457.5	-	\$67,900	\$69,310	\$1,830	\$1,920	\$830	\$3,830	\$3,930
CP*0700H2	(2) IR6B4709P	(2) 6DH3R35ME	562.3	-	\$75,160	\$76,740	\$1,830	\$2,970	\$830	\$4,590	\$4,650
CP*0800H2	(2) IR6B5406P	(2) 6DJ3R40ME	680.1	-	\$83,610	\$85,370	\$2,380	\$2,970	\$1,140	\$4,470	\$5,110
CP*1000H2	(2) IR6B6462P	(2) 8DP1-5000	856.5	-	\$104,940	\$107,100	\$2,380	\$1,920	\$1,140	\$7,690	\$5,730
CP*1200H2	(2) IR8C7863P**	(2) 8DS1-6000	1001.7	-	\$121,310	\$123,810	\$3,640	\$2,440	\$1,140	\$7,690	\$6,880
CP*0500M4	(2) IR4B3139P	(2) 4DH3R22ME	376.3	-	\$60,860	\$62,120	\$1,760	\$1,400	\$830	\$3,330	\$3,600
CP*0600M4	(2) IR4B3604P	(2) 4DJ3R28ME	459.6	-	\$67,900	\$69,310	\$1,830	\$1,920	\$830	\$3,830	\$3,930
CP*0700M4	(2) IR6B4709P	(2) 6DH3R35ME	561.0	-	\$75,160	\$76,740	\$1,830	\$2,970	\$830	\$4,590	\$4,650
CP*0800M4	(2) IR6B5406P	(2) 6DJ3R40ME	681.3	-	\$83,910	\$85,670	\$2,380	\$2,970	\$830	\$4,470	\$5,110
CP*0440L2	(2) IR4B3604P	(2) 4DT3F76KE	-	146.9	\$60,280	\$61,530	\$1,610	\$1,400	\$830	\$3,830	\$4,010
CP*0540L2	(2) IR4B4709P	(2) 6DL3F93KE	-	183.6	\$66,420	\$67,790	\$1,760	\$1,400	\$830	\$4,590	\$4,470
CP*0600L2	(2) IR6B5406P	(2) 6DT3F11ME	-	218.0	\$71,680	\$73,180	\$1,760	\$1,920	\$1,140	\$4,470	\$4,740
CP*0440L4	(2) IR4B3604P	(2) 4DT3F76KE	-	171.8	\$57,440	\$58,630	\$1,610	\$1,400	\$1,140	\$3,830	\$4,010
CP*0540L4	(2) IR4B4709P	(2) 6DL3F93KE	-	212.1	\$63,580	\$64,900	\$1,760	\$1,400	\$1,140	\$4,590	\$4,470
CP*0600L4	(2) IR6B5406P	(2) 6DT3F11ME	-	237.5	\$69,150	\$70,590	\$1,760	\$1,920	\$1,140	\$4,470	\$4,740

Standard High Temp	Unit size	L	W	H	Shipping wt. (lbs)
CP*0500H2	H	232.75	45.25	51.50	3,536
CP*0600H2	I	146.00	90.50	51.50	3,968
CP*0700H2	J	200.00	90.50	51.50	4,675
CP*0800H2	J	200.00	90.50	51.50	5,163
CP*1000H2	K	254.00	90.50	51.50	5,923
CP*1200H2	L	308.00	90.50	51.50	6,812
CP*0500M4	H	323.75	45.25	51.50	3,410
CP*0600M4	I	146.00	90.50	51.50	3,833
CP*0700M4	J	200.00	90.50	51.50	4,397
CP*0800M4	J	200.00	90.50	51.50	5,058
CP*0440L2	H	232.75	45.25	51.50	3,164
CP*0540L2	H	232.75	45.25	51.50	3,512
CP*0600L2	I	146.00	90.50	51.50	3,769
CP*0440L4	H	232.75	45.25	51.50	3,167
CP*0540L4	H	232.75	45.25	51.50	3,453
CP*0600L4	I	146.00	90.50	51.50	3,772

Oversized High Temp	Compressor Model				List Price		Options			Optional 4-Year Extended Compressor Warranty	
	Copeland		MBH@				Heated & Insulated	Pressure fan	Suction filter	IR	Copeland Discus
	Ingersoll Rand	Discus	+25 SST	-20 SST	230V(K),460V(M)	575V(P)					
CP*0501H2	(2) IR4B3139P	(2) 4DH3R22ME	397.8	-	\$62,690	\$64,020	\$1,760	\$2,970	\$830	\$3,330	\$3,600
CP*0601H2	(2) IR4B3604P	(2) 4DJ3R28ME	468.4	-	\$72,650	\$74,180	\$1,830	\$2,970	\$830	\$3,830	\$3,930
CP*0701H2	(2) IR6B4709P	(2) 6DH3R35ME	567.7	-	\$80,930	\$82,620	\$1,910	\$2,970	\$830	\$4,590	\$4,650
CP*0801H2	(2) IR6B5406P	(2) 6DJ3R40ME	694.9	-	\$94,380	\$96,330	\$2,380	\$1,920	\$1,140	\$4,470	\$5,110
CP*1001H2	(2) IR6B6462P	(2) 8DP1-5000	879.1	-	\$123,600	\$126,140	\$3,640	\$2,440	\$1,140	\$7,690	\$5,730
CP*1201H2	(2) IR8C7863P**	(2) 8DS1-6000	1028.2	-	\$134,460	\$137,220	\$3,820	\$2,970	\$1,140	\$7,690	\$6,880
CP*0501M4	(2) IR4B3139P	(2) 4DH3R22ME	407.5	-	\$62,690	\$64,020	\$1,830	\$2,970	\$830	\$3,330	\$3,600
CP*0601M4	(2) IR4B3604P	(2) 4DJ3R28ME	479.4	-	\$72,650	\$74,180	\$1,910	\$2,970	\$830	\$3,830	\$3,930
CP*0701M4	(2) IR6B4709P	(2) 6DH3R35ME	609	-	\$81,670	\$83,360	\$2,380	\$1,920	\$1,140	\$4,590	\$4,650
CP*0801M4	(2) IR6B5406P	(2) 6DJ3R40ME	708.4	-	\$94,380	\$96,330	\$2,380	\$1,920	\$1,140	\$4,470	\$5,110
CP*0441L2	(2) IR4B3604P	(2) 4DT3F76KE	-	147.9	\$62,990	\$64,290	\$1,760	\$1,400	\$830	\$3,830	\$4,010
CP*0541L2	(2) IR4B4709P	(2) 6DL3F93KE	-	187.3	\$70,180	\$71,630	\$1,830	\$1,920	\$830	\$4,590	\$4,470
CP*0601L2	(2) IR6B5406P	(2) 6DT3F11ME	-	223.2	\$79,530	\$81,200	\$1,830	\$2,970	\$1,140	\$4,470	\$4,740
CP*0441L4	(2) IR4B3604P	(2) 4DT3F76KE	-	176.6	\$60,820	\$62,090	\$1,760	\$1,920	\$1,140	\$3,830	\$4,010
CP*0541L4	(2) IR4B4709P	(2) 6DL3F93KE	-	217.9	\$67,330	\$68,740	\$1,830	\$1,920	\$1,140	\$4,590	\$4,470
CP*0601L4	(2) IR6B5406P	(2) 6DT3F11ME	-	246.8	\$76,990	\$78,610	\$1,830	\$2,970	\$1,140	\$4,470	\$4,740

Oversized High Temp	Unit size	L	W	H	Shipping wt. (lbs)
CP*0501H2	J	200.00	90.50	51.50	4231
CP*0601H2	J	200.00	90.50	51.50	4539
CP*0701H2	J	200.00	90.50	51.50	4905
CP*0801H2	K	254.00	90.50	51.50	5920
CP*1001H2	L	308.00	90.50	51.50	7109
CP*1201H2	M	362.00	90.50	51.50	7966
CP*0501M4	J	200.00	90.50	51.50	4389
CP*0601M4	J	200.00	90.50	51.50	4448
CP*0701M4	K	254.00	90.50	51.50	5412
CP*0801M4	K	254.00	90.50	51.50	5816
CP*0441L2	H	232.75	45.25	51.50	3320
CP*0541L2	I	146.00	90.50	51.50	3823
CP*0601L2	J	200.00	90.50	51.50	4465
CP*0441L4	I	146.00	90.50	51.50	3509
CP*0541L4	I	146.00	90.50	51.50	3872
CP*0601L4	J	200.00	90.50	51.50	4566

*-IR, Copeland Discus Compressor
 **-N/a on 230/3/60

RECEIVER SIZING FOR CONDENSING UNITS

This document serves to define how Krack sizes condensing unit receivers and how to verify the sizing against the required system charge.

The receiver is sized (at 80% full, 90°F liquid) to handle the sum of the following:

- Winter flooding charge (assuming -20°F ambient design)
- 100 feet of liquid line
- Liquid charge of a single evaporator (up to 1/2" OD tubing) selected at a 10°F TD

$$\text{Receiver Volume} = \text{Flooding Charge} + \text{Liquid Line} + \text{Evaporator Charge}$$

The receiver pumpdown capacity (volume) should be compared to the required system charge whenever any of the following occurs:

- Multiple evaporators are matched to one compressor
- Any Industrial evaporator is used (tubing larger than 1/2" OD)
- Liquid line is known to exceed 100 feet in length

Winter Flooding Charge

Winter flooding charge is defined as the additional refrigerant that must be added to the system to flood the condenser for winter operation. The charge can be obtained from the Condensing Unit O&I manual or from Table 4.

$$\text{Winter Flooding Charge} = \text{Winter Charge} - \text{Summer Charge}$$

Liquid Line Charge

The weight of the refrigerant in a liquid line per 100 feet is shown in Table 1.

TABLE 1	Liquid Line Refrigerant Weight During Operation					
	(Pounds per 100 lineal feet of type "L" tubing)					
Refrigerant	1/2" OD	5/8" OD	7/8" OD	1-1/8" OD	1-3/8" OD	1-5/8" OD
R-22	7.4	11.8	24.4	41.6	63.5	90
R-404a/507	6.4	10.3	21.2	36.1	55	78

Evaporator Charge

The evaporator liquid charge is estimated to be between 15% and 30% of the coil volume, with the density of the refrigerant taken at the saturated suction temperature of the coil. See Table 2 for refrigerant densities at varying temperatures.

$$\text{Evaporator Liquid Charge} = \text{Evaporator Coil Volume} \times 0.30 \times \text{Density}$$

TABLE 2	Density Table (lb/cu ft)			
	Liquid Temperature (°F)			
Refrigerant	-20°F	0°F	20°F	90°F
R-22	85.8	83.6	81.4	72.5
R-404a/507	77.3	74.9	72.3	60.4

Receiver Size and Pricing

If the receiver requires up sizing see Table 3 for receiver capacity chart and pricing.

EXAMPLE:

Verify the receiver sizing for the following matched system:

- (1) SLD0300H2M Condensing Unit (10-3/4" x 48" Receiver, 128 lbs @ 80%)
- (1) PCC3L-608-4-2-DXV-EDL (7.5 cu ft coil volume)

Step 1: Determine the Winter Flooding Charge

From Table 3, or SLD O&I Manual, calculate the difference in operating charge between +70°F and -20°F (adjust temperatures per the location):

$$\text{Winter Flooding Charge} = 95.3 - 53.2 = 42.1 \text{ lbs R-22}$$

Step 2: Determine the Liquid Line Charge

If the actual length is not known, use the best judgement in determining length of liquid line. Also, the liquid line should be sized based on line sizing charts for the application, not just the liquid line connection on the condensing unit. For this example 100 feet of 7/8" OD tubing is assumed:

$$\text{From Table 1, } 24.4 \text{ lbs of R-22}$$

Step 3: Determine the Evaporator Charge

Evaporator coil volume is 7.5 cu ft. Multiply by percent of coil assumed to be liquid and the density (Table 2) of the liquid refrigerant (-20°F):

$$\text{Evaporator Liquid Charge} = 7.5 \text{ cu ft} \times 0.30 \times 85.8 \text{ lb/cu ft} = 193.0 \text{ lbs R-22}$$

Step 4: Calculate the total charge required for receiver volume

$$\text{Required Charge} = 42.1 + 24.4 + 193.0 = 259.5 \text{ lbs R-22}$$

Receiver volume is 128 lbs. Therefore the standard receiver is NOT adequate. The correct receiver for the application from Table 3 is the 10-3/4" x 96" vessel.

Price Adder = "F" Recvr

$$\begin{aligned} & \$2,371 \quad - \text{"D" Recvr} \quad \$1,251 \\ & = \quad \$1,120 \quad \text{List} \end{aligned}$$

TABLE 3		Receiver Capacity 80% Full		List Price	Htd & Ins List Price
Receiver	Recr Size	R-22	R-404a/507		
A	8-5/8 x 28	48	43	\$1,110	\$1,390
B	8-5/8 x 48	84	75	\$1,300	\$1,560
C	8-5/8 x 60	106	94	\$1,410	\$1,660
D	10-3/4 x 48	128	114	\$1,450	\$1,710
E	10-3/4 x 72	195	174	\$2,450	\$1,760
F	10-3/4 x 96	262	233	\$2,730	\$1,830
G	10-3/4 x 108	295	263	\$3,160	\$1,910
H	10-3/4 x 144	390	347	\$3,710	\$2,380

Drawing Letter	Maximum Length of Receiver
A	48"
B	108"
C	144"
D	108"
E	144"
F	48"
G	108"
H	144"
I	108"
J	144"
K	144"
L	144"
M	144"

The list price add for an OVERSIZED RECEIVER is obtained by subtracting the list price of the original receiver from the list price of the larger receiver.

The list price add to HEAT & INSULATE a receiver is the full price shown next to the corresponding receiver size.

SEE TABLE 3b FOR MAXIMUM RECEIVER SIZE PER CONDENSER LENGTH

Table 3b

Refer to condensing unit drawing letter shown on the right-hand side of each page in brochure SPDL-1104.

TABLE 4a SL* Unit Refrigerant Charge

Model	Refrigerant	REFRIGERANT CHARGE - LBS					
		Above 70°F	50°F	30°F	10°F	0°F	Below -20°F
SL*0100H2	R-22	29.1	39.8	43.6	45.9	46.8	48.4
SL*0150H2	R-22	31.6	37.3	44.8	49.0	50.6	53.1
SL*0200H2	R-22	31.6	37.3	44.8	49.0	50.6	53.1
SL*0250H2	R-22	42.4	50.7	61.9	68.2	70.5	74.2
SL*0300H2	R-22	53.2	64.2	79.0	87.4	90.4	95.3
SL*0350H2	R-22	55.7	58.6	71.9	84.0	88.5	95.4
SL*0400H2	R-22	72.5	76.0	89.6	101.9	106.6	113.7
SL*0500H2	R-22	80.6	97.0	119.3	131.8	136.4	143.7
SL*0600H2	R-22	97.1	101.8	120.0	136.4	142.6	152.2
SL*0101H2	R-22	31.6	42.4	48.3	51.6	53.0	55.5
SL*0151H2	R-22	42.4	58.4	67.1	72.1	74.1	77.8
SL*0201H2	R-22	42.4	58.4	67.1	72.1	74.1	77.8
SL*0251H2	R-22	42.3	48.0	60.6	67.1	69.5	73.4
SL*0301H2	R-22	55.7	63.9	82.7	92.4	95.9	101.7
SL*0351H2	R-22	80.4	91.5	116.6	129.7	134.5	142.2
SL*0401H2	R-22	91.2	132.9	155.9	168.7	173.8	183.5
SL*0501H2	R-22	112.9	129.4	166.9	186.4	193.5	205.0
SL*0601H2	R-22	137.0	158.4	208.2	234.0	243.3	258.4
SL*0150L2	R-22	31.8	52.0	55.0	56.9	57.7	59.2
SL*0220L2	R-22	31.6	47.5	51.8	54.1	55.2	57.1
SL*0270L2	R-22	36.9	60.3	66.6	70.0	71.5	74.1
SL*0300L2	R-22	36.9	60.3	66.6	70.0	71.5	74.1
SL*0151L2	R-22	36.9	60.3	66.6	70.0	71.5	74.1
SL*0221L2	R-22	36.9	60.3	66.6	70.0	71.5	74.1
SL*0271L2	R-22	36.8	53.8	62.1	66.5	68.4	71.4
SL*0301L2	R-22	50.2	75.6	87.9	94.4	97.3	101.6
SL*0150M4	R-404a	27.9	33.4	40.2	44.2	45.7	48.1
SL*0200M4	R-404a	27.9	33.4	40.2	44.2	45.7	48.1
SL*0250M4	R-404a	37.4	45.4	55.6	61.5	63.6	67.1
SL*0300M4	R-404a	46.9	57.4	70.9	78.7	81.6	86.1
SL*0350M4	R-404a	42.2	45.0	53.3	60.9	63.8	68.2
SL*0400M4	R-404a	70.8	75.7	91.9	106.8	112.5	121.0
SL*0151M4	R-404a	37.4	52.1	60.2	64.9	66.8	70.3
SL*0201M4	R-404a	37.4	52.1	60.2	64.9	66.8	70.3
SL*0251M4	R-404a	49.0	57.1	74.1	83.2	86.5	91.8
SL*0301M4	R-404a	63.9	72.9	90.2	99.6	103.1	108.7
SL*0351M4	R-404a	71.0	100.2	116.3	125.7	129.4	136.4
SL*0401M4	R-404a	95.1	134.1	155.6	168.1	173.1	182.4
SL*0150L4	R-404a	29.5	43.7	47.5	50.0	50.8	52.5
SL*0220L4	R-404a	29.3	37.9	43.3	46.6	47.9	50.3
SL*0270L4	R-404a	39.5	52.1	60.2	64.9	66.8	70.3
SL*0300L4	R-404a	44.8	61.2	71.8	77.9	80.4	84.9
SL*0151L4	R-404a	29.3	42.4	46.4	48.8	49.8	51.6
SL*0221L4	R-404a	39.5	58.9	64.8	68.3	69.8	72.4
SL*0271L4	R-404a	39.4	53.1	60.9	65.2	67.1	70.0
SL*0301L4	R-404a	52.2	72.4	83.9	90.2	93.0	97.1

TABLE 4b DL* Unit Refrigerant Charge *

Model	Refrigerant	REFRIGERANT CHARGE - LBS					
		Above 70°F	50°F	30°F	10°F	0°F	Below -20°F
DL*0100H2	R-22	14.7	18.5	19.8	20.7	21.0	21.6
DL*0150H2	R-22	17.4	24.5	27.0	28.5	29.0	30.0
DL*0160H2	R-22	17.3	20.2	24.0	26.1	26.9	28.2
DL*0180H2	R-22	17.3	20.2	24.0	26.1	26.9	28.2
DL*0200H2	R-22	29.0	33.4	39.1	42.4	43.6	45.6
DL*0240H2	R-22	31.6	37.3	44.8	49.0	50.6	53.1
DL*0300H2	R-22	32.9	34.5	41.2	47.3	49.6	53.2
DL*0400H2	R-22	32.9	34.5	41.2	47.3	49.6	53.2
DL*0500H2	R-22	42.3	44.4	53.4	61.5	64.6	69.2
DL*0600H2	R-22	53.2	64.2	79.0	87.4	90.4	95.3
DL*0700H2	R-22	55.7	58.6	71.9	84.0	88.5	95.4
DL*0800H2	R-22	80.4	84.5	102.3	118.5	124.6	133.8
DL*1000H2	R-22	80.3	83.9	89.7	109.1	117.5	126.4
DL*1200H2	R-22	104.8	108.7	110.6	130.4	144.0	155.1
DL*0101H2	R-22	17.4	26.0	28.0	29.3	29.8	30.7
DL*0151H2	R-22	17.3	22.7	25.7	27.4	28.1	29.4
DL*0161H2	R-22	20.0	27.9	32.3	34.7	35.7	37.5
DL*0181H2	R-22	31.6	42.4	48.3	51.6	53.0	55.5
DL*0201H2	R-22	32.9	37.1	46.6	51.6	53.4	56.3
DL*0241H2	R-22	32.9	37.1	46.6	51.6	53.4	56.3
DL*0301H2	R-22	42.3	48.0	60.6	67.1	69.5	73.4
DL*0401H2	R-22	42.4	58.4	67.1	72.1	74.1	77.8
DL*0501H2	R-22	42.3	48.0	60.6	67.1	69.5	73.4
DL*0601H2	R-22	55.7	63.9	82.7	92.4	95.9	101.7
DL*0701H2	R-22	80.4	91.5	116.6	129.7	134.5	142.2
DL*0801H2	R-22	90.8	95.9	126.1	145.9	152.3	164.1
DL*1001H2	R-22	117.9	122.3	147.4	176.9	186.1	203.1
DL*1201H2	R-22	136.6	141.6	157.9	198.1	209.5	231.5
DL*0440L2	R-22	23.9	36.5	42.7	45.9	47.3	49.4
DL*0540L2	R-22	27.8	44.5	52.6	56.9	58.7	61.5
DL*0600L2	R-22	36.9	60.3	66.6	70.0	71.5	74.1
DL*0441L2	R-22	27.8	44.5	52.6	56.9	58.7	61.5
DL*0541L2	R-22	33.2	63.8	71.9	76.1	78.0	81.2
DL*0601L2	R-22	44.7	69.9	82.1	88.5	91.3	95.5
DL*0400M4	R-404a	29.0	30.9	37.1	42.7	44.9	48.1
DL*0500M4	R-404a	37.3	39.8	48.0	55.5	58.4	62.7
DL*0600M4	R-404a	46.9	57.4	70.9	78.7	81.6	86.1
DL*0700M4	R-404a	42.2	45.0	53.3	60.9	63.8	68.2
DL*0800M4	R-404a	70.8	75.7	91.9	106.8	112.5	121.0
DL*0401M4	R-404a	37.4	52.1	60.2	64.9	66.8	70.3
DL*0501M4	R-404a	49.0	51.7	74.1	83.2	86.5	91.8
DL*0601M4	R-404a	63.9	72.9	90.2	99.6	103.1	108.7
DL*0701M4	R-404a	70.7	75.8	96.5	110.4	115.0	123.4
DL*0801M4	R-404a	94.7	101.5	129.2	147.7	153.9	165.0
DL*0440L4	R-404a	30.5	33.3	41.9	46.5	48.2	51.0
DL*0540L4	R-404a	39.4	42.9	54.4	60.5	62.8	66.4
DL*0600L4	R-404a	39.5	52.1	60.2	64.9	66.8	70.3
DL*0441L4	R-404a	39.5	58.9	64.8	68.3	69.8	72.4
DL*0541L4	R-404a	44.8	70.2	78.0	82.4	84.3	87.6
DL*0601L4	R-404a	52.2	72.4	83.9	90.2	93.0	97.1

* All units have two refrigerant circuits. Refrigerant charge shown is per circuit.

TABLE 4c PL* Unit Refrigerant Charge

Model	Refrigerant	REFRIGERANT CHARGE - LBS					
		Above 70°F	50°F	30°F	10°F	0°F	Below -20°F
PL*0500H2	R-22	80.4	84.5	102.3	118.5	124.6	133.8
PL*0600H2	R-22	107.9	129.9	159.7	176.3	182.4	192.2
PL*0700H2	R-22	112.9	118.8	145.4	169.5	178.6	192.4
PL*0800H2	R-22	160.7	168.9	204.6	236.9	249.1	267.7
PL*1000H2	R-22	160.5	167.8	179.5	218.3	235.0	252.8
PL*1200H2	R-22	144.1	149.5	152.1	190.6	217.3	238.3
PL*0501H2	R-22	80.4	91.5	116.6	129.7	134.5	142.2
PL*0601H2	R-22	112.9	129.4	166.9	186.4	193.5	205.0
PL*0701H2	R-22	137.0	158.4	208.2	234.0	243.3	258.4
PL*0801H2	R-22	181.5	191.9	252.3	291.7	304.7	328.2
PL*1001H2	R-22	170.3	176.7	225.6	283.6	301.5	334.3
PL*1201H2	R-22	199.4	206.8	237.9	317.1	339.3	382.1
PL*0440L2	R-22	44.7	69.9	82.1	88.5	91.3	95.5
PL*0540L2	R-22	52.6	85.9	102.1	110.5	114.2	119.7
PL*0600L2	R-22	58.3	104.5	116.8	123.3	126.2	131.2
PL*0441L2	R-22	52.6	85.9	102.1	110.5	114.2	119.7
PL*0541L2	R-22	63.4	124.5	140.6	149.1	152.8	159.1
PL*0601L2	R-22	73.9	123.6	147.9	160.4	165.9	174.1
PL*0500M4	R-404a	70.8	75.7	91.9	106.8	112.5	121.0
PL*0600M4	R-404a	95.1	116.1	143.2	158.8	164.6	173.7
PL*0700M4	R-404a	85.7	91.4	108.0	123.2	129.1	137.9
PL*0800M4	R-404a	141.6	151.4	183.9	213.6	225.0	242.1
PL*0501M4	R-404a	99.4	115.7	149.6	167.8	174.5	185.2
PL*0601M4	R-404a	106.7	123.4	157.6	175.9	182.7	193.5
PL*0701M4	R-404a	141.4	149.2	193.0	220.8	230.1	246.8
PL*0801M4	R-404a	159.6	171.6	226.1	262.5	274.6	296.3
PL*0440L4	R-404a	52.2	57.1	74.1	83.2	86.5	91.8
PL*0540L4	R-404a	75.0	81.9	104.6	116.9	121.4	128.6
PL*0600L4	R-404a	75.2	100.2	116.3	125.7	129.4	136.4
PL*0441L4	R-404a	75.2	113.7	125.6	132.4	135.4	140.5
PL*0541L4	R-404a	100.7	152.1	167.9	177.0	181.0	187.9
PL*0601L4	R-404a	105.7	146.3	169.3	150.9	187.5	195.8

*-IR or Copeland Discus Compressors

LARGE CONDENSING UNIT OPTIONS

DEFROST KITS (MOUNTED)

Kit	Description	List Price*
A-1	Air Defrost Timer	\$370
A-2	Air Defrost Timer, Fused Evaporator Fan Contactor	\$640
E-1	Electric Defrost Timer, 230V, 1 phase heaters only, 230V, 1 phase motors only	\$370
E-2	Electric Defrost Timer, Fused Heater Contactor up to 48A, 230V, 1 phase motors only	\$770
E-3	Electric Defrost Timer, Fused Heater Contactor up to 48A, Fused Evaporator Fan Contactor up to 12A	\$1,130
E-4	Electric Defrost Timer, Fused Heater Contactor(s) up to 144A, Fused Evaporator Fan Contactor up to 24A	\$1,560

* Note: For Dual (DLD) units, add option per circuit (2x).
For 230V evaporators on 460V condensing units, consult factory.

LARGE CONDENSING UNIT ELECTRICAL OPTIONS

Non-Fused Disconnected (mounted)	List Price*	Fused Disconnect Shipped Loose	List Price*	
			230V (K)	460V (M)
60A	\$1,150	60A	\$1,000	\$1,090
100A	\$1,400	100A	\$1,450	\$2,000
175A	\$2,090			
200A	\$2,220	200A	\$1,810	\$2,460
400A	\$4,460	400A	\$4,510	\$5,950
600+	consult factory	600+	consult factory	

* Note: For Dual (DLD) units, there is a single point power connection.
Add amperage for entire unit (include evaporator and / or heater amps),
Select a single disconnect for amperage required.

OTHER OPTIONS	LIST PRICE
115 VOLT CONTROL CIRCUIT	\$410
PHASE LOSS MONITOR	\$870
ANTI-SHORT CYCLE TIME DELAY RELAY	\$620
SAFE START TIME DELAY (bypass low pressure control)	\$620
CURRENT SENSING RELAY	\$620
OIL RESERVOIR (for use with oil separator)	\$2,020
LIQUID LINE SOLENOID VALVE INSTALLED (5 - 22 H.P.)	\$660
LIQUID LINE SOLENOID VALVE INSTALLED (22 - 60 H.P.)	\$940
GAUGE KIT (HIGH / LOW / OIL PRESSURE)	\$1,210
COMPRESSOR UNLOADING	consult factory
HOT GAS BYPASS	consult factory
HEAT RECLAIM VALVE	consult factory
DISCHARGE LINE CHECK VALVE	consult factory
ISOLATION BALL VALVES	consult factory

* Note: For Dual (DLD) units, add option per circuit (2x).

Low noise fan

1x1	\$430
1x2	\$860
1x3	\$1,290
1x4	\$1,720
1x5	\$2,150
1x6	\$2,580
2x2	\$1,720
2x3	\$2,580
2x4	\$3,440
2x5	\$4,300
2x6	\$5,160

Access Doors

1 fan	\$120
2x1 or 2x2	\$240
3x1 or 3x2	\$360
4x1 or 4x2	\$480
5x1 or 5x2	\$600
6x1 or 6x2	\$720