



Krack Price List -- 1st Quarter 2012

Commercial Refrigeration

Edition 2012-Q1-Version Com 1 a

Effective: January 1, 2012

Expires: March 31, 2012

Changes since the last price list:

*Krack Reach-in units are no longer be available. This includes ST, STE, MU, SX, DF, & DL units.
EC Motors have been removed from Microchannel (MX) and Levitor (LA*) units*

The Krack Condensed Product Catalog highlights many of the products in this pricelist can be downloaded from our website.
The Krack Commercial Products Binder with all Krack Commercial literature may also be ordered from the Commercial Tab of the website

See Krack.com for a listing of our sales reps in your area. Call for available inventory and ask to be added to the distribution list.

Krack pricelists are updated quarterly: in January, April, July and October. Please contact us with any questions or comments.

Travis_Lumpkin@irco.com

Please visit us at www.krack.com.

Krack Corporation

Hussmann Climate Solutions

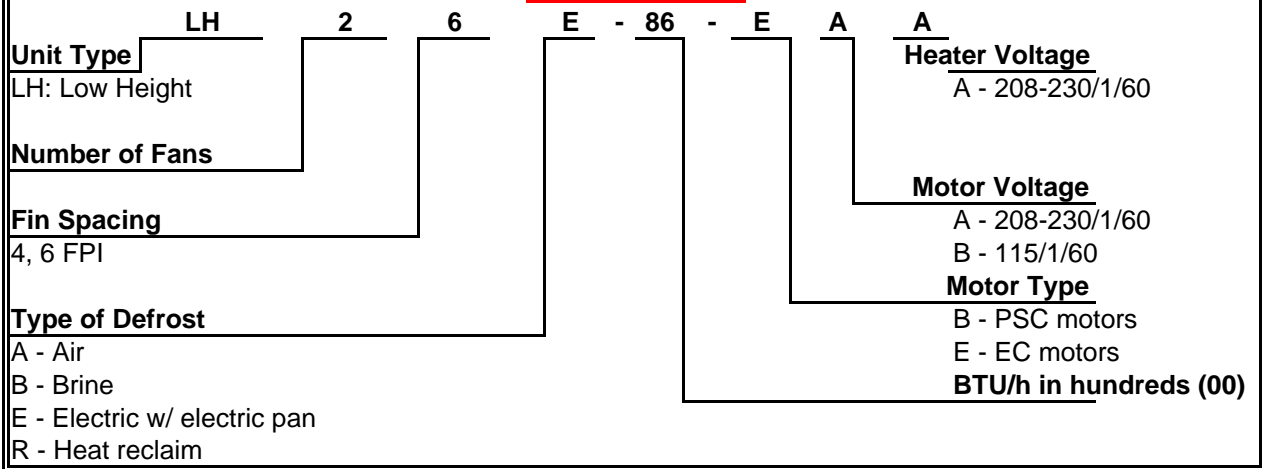
1300 N. Arlington Heights Rd. Ste. 130

Itasca, IL 60143-3128

Phone: 630-931-7500

Website: www.krack.com

LH Model Key





LH MODELS--DUAL DISCHARGE

AIR DEFROST MEDIUM TEMPERATURE STANDARD VELOCITY

MODEL	LIST PRICE	CAPACITY (BTUH)		AIR FLOW (CFM)	DIMENSIONS (IN)			SHIP WGT. (LBS)
		@ 10° F TD			L	W	H	
LH16A-47	\$1,610	4,700		650	32.875	26.063	9.250	42
LH26A-94	\$2,530	9,400		1,300	54.875	26.063	9.250	70
LH36A-140	\$3,500	14,000		1,950	76.875	26.063	9.250	123
LH46A-187	\$4,390	18,700		2,600	98.875	26.063	9.250	164
LH14A-36	\$1,560	3,600		683	32.875	26.063	9.250	38
LH24A-73	\$2,330	7,300		1,365	54.875	26.063	9.250	64
LH34A-109	\$3,000	10,900		2,048	76.875	26.063	9.250	105
LH44A-145	\$4,100	14,500		2,730	98.875	26.063	9.250	146

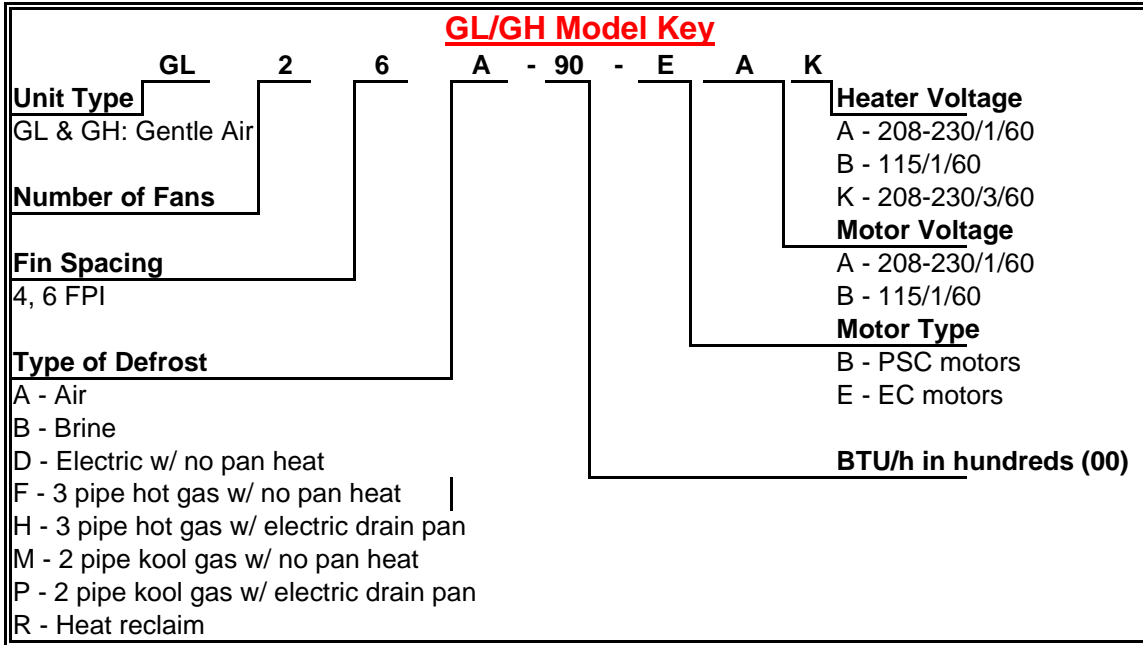
ELECTRIC DEFROST LOW TEMPERATURE STANDARD VELOCITY

MODEL	LIST PRICE	CAPACITY (BTUH)		AIR FLOW (CFM)	DIMENSIONS (IN)			SHIP WGT. (LBS)
		@ 10° F TD			L	W	H	
LH16E-43	\$2,100	4,300	4,700	650	32.875	26.063	9.250	44
LH26E-86	\$3,100	8,600	9,400	1,300	54.875	26.063	9.250	73
LH36E-129	\$3,950	12,900	14,000	1,950	76.875	26.063	9.250	127
LH46E-171	\$4,910	17,100	18,700	2,600	98.875	26.063	9.250	169
LH14E-33	\$1,960	3,600	3,600	683	32.875	26.063	9.250	40
LH24E-67	\$2,900	7,300	7,300	1,365	54.875	26.063	9.250	67
LH34E-100	\$3,850	10,900	10,900	2,048	76.875	26.063	9.250	109
LH44E-132	\$4,420	13,200	14,500	2,730	98.875	26.063	9.250	150

MODEL OPTIONS

No. of Fans	Painted Housing	SS Housing & Non Ins DP	SS Non Ins Drain Pan (only)	PSC Motor Deduct*	Copper Fin	Electro Fin (Air Defrost only)
1	\$310	\$1,040	\$330	(\$280)	\$350	\$1,350
2	\$600	\$1,460	\$400	(\$560)	\$700	\$1,350
3	\$900	\$1,940	\$520	(\$840)	\$1,050	\$1,350
4	\$1,190	\$2,350	\$580	(\$1,120)	\$1,400	\$1,350

*(Units come standard with EC motors; deduct for PSC motors)





GH & GL MODELS

AIR DEFROST MEDIUM TEMPERATURE LOW VELOCITY

GENTLE AIR - 18" HIGH SILHOUETTE

MODEL	LIST PRICE 115V/230V*	CAPACITY (BTUH) @ 10° F TD	AIR FLOW (CFM)	DIMENSIONS (IN)			SHIP WGT. (LBS)
				L	W	H	
GH16A-60	\$2,520	6,000	900	31.75	28.75	18.25	130
GH26A-130	\$3,950	13,000	1,800	49.75	28.75	18.25	180
GH36A-198	\$5,610	19,800	2,700	67.75	28.75	18.25	240
GH46A-270	\$6,800	27,000	3,600	85.75	28.75	18.25	320
GH56A-340	\$8,060	34,000	4,500	103.75	28.75	18.25	370
GH66A-410	\$9,310	41,000	5,400	121.75	28.75	18.25	420
GH14A-50	\$2,370	5,000	940	31.75	28.75	18.25	120
GH24A-100	\$3,880	10,000	1,880	49.75	28.75	18.25	170
GH34A-150	\$5,510	15,000	2,820	67.75	28.75	18.25	230
GH44A-200	\$6,690	20,000	3,760	85.75	28.75	18.25	310
GH54A-250	\$7,980	25,000	4,700	103.75	28.75	18.25	360
GH64A-300	\$9,230	30,000	5,640	121.75	28.75	18.25	410

GENTLE AIR - 12" LOW SILHOUETTE

MODEL	LIST PRICE 115V/230V*	CAPACITY (BTUH) @ 10° F TD	AIR FLOW (CFM)	DIMENSIONS (IN)			SHIP WGT. (LBS)
				L	W	H	
GL16A-45	\$2,160	4,500	600	31.75	28.75	12.25	100
GL26A-90	\$3,400	9,000	1,200	49.75	28.75	12.25	140
GL36A-135	\$4,590	13,500	1,800	67.75	28.75	12.25	190
GL46A-180	\$5,920	18,000	2,400	85.75	28.75	12.25	250
GL56A-225	\$6,870	22,500	3,000	103.75	28.75	12.25	290
GL66A-268	\$7,590	26,800	3,600	121.75	28.75	12.25	340
GL14A-35	\$2,150	3,500	630	31.75	28.75	12.25	90
GL24A-70	\$3,360	7,000	1,260	49.75	28.75	12.25	130
GL34A-105	\$4,540	10,500	1,890	67.75	28.75	12.25	180
GL44A-140	\$5,870	14,000	2,520	85.75	28.75	12.25	240
GL54A-175	\$6,790	17,500	3,150	103.75	28.75	12.25	280
GL64A-210	\$7,380	21,000	3,780	121.75	28.75	12.25	330

MODEL OPTIONS

No. of Fans	Reverse Air Flow	Air Filters	Insulated Drain Pan	Painted Housing	SS Housing & Non Ins DP	SS Non Ins Drain Pan
1	\$90	\$70	\$430	\$330	\$1,440	\$510
2	\$180	\$140	\$490	\$640	\$1,890	\$630
3	\$270	\$210	\$570	\$950	\$2,380	\$780
4	\$360	\$280	\$660	\$1,270	\$2,860	\$920
5	\$450	\$350	\$840	\$1,580	\$3,630	\$1,320
6	\$540	\$420	\$1,210	\$1,890	\$4,080	\$1,460

No. of Fans	SS Housing & Ins DP	SS Ins Drain Pan	PSC Motor Deduct*	Copper Fin	Electro Fin (Air Defrost only)
1	\$2,400	\$1,470	(\$280)	\$470	\$2,260
2	\$3,000	\$1,750	(\$560)	\$940	\$2,260
3	\$3,510	\$1,890	(\$840)	\$1,410	\$2,260
4	\$4,280	\$2,340	(\$1,120)	\$1,880	\$2,260
5	\$5,620	\$3,330	(\$1,400)	\$2,350	\$2,260
6	\$6,240	\$3,600	(\$1,680)	\$2,820	\$2,390

*(Units come standard with EC motors; deduct for PSC)



GH & GL MODELS

ELECTRIC DEFROST MEDIUM TEMPERATURE LOW VELOCITY

GENTLE AIR - 18" HIGH SILHOUETTE

MODEL	LIST PRICE	CAPACITY (BTUH) AIR FLOW		DIMENSIONS (IN)			SHIP WGT. (LBS)
		@ 10° F TD	(CFM)	L	W	H	
GH16D-60	\$2,760	6,000	900	31.75	28.75	18.25	130
GH26D-130	\$4,520	13,000	1,800	49.75	28.75	18.25	180
GH36D-198	\$6,350	19,800	2,700	67.75	28.75	18.25	240
GH46D-270	\$7,570	27,000	3,600	85.75	28.75	18.25	320
GH56D-340	\$8,970	34,000	4,500	103.75	28.75	18.25	370
GH66D-410	\$10,350	41,000	5,400	121.75	28.75	18.25	420
GH14D-50	\$2,660	5,000	940	31.75	28.75	18.25	120
GH24D-100	\$4,410	10,000	1,880	49.75	28.75	18.25	170
GH34D-150	\$6,160	15,000	2,820	67.75	28.75	18.25	230
GH44D-200	\$7,450	20,000	3,760	85.75	28.75	18.25	310
GH54D-250	\$8,850	25,000	4,700	103.75	28.75	18.25	360
GH64D-300	\$10,240	30,000	5,640	121.75	28.75	18.25	410

NOTE: Not For Use Below +28 F Room Temperature

GENTLE AIR - 12" HIGH SILHOUETTE

MODEL	LIST PRICE	CAPACITY (BTUH) AIR FLOW		DIMENSIONS (IN)			SHIP WGT. (LBS)
		@ 10° F TD	(CFM)	L	W	H	
GL16D-45	\$2,400	4,500	600	31.75	28.75	12.25	100
GL26D-90	\$3,780	9,000	1,200	49.75	28.75	12.25	140
GL36D-135	\$5,080	13,500	1,800	67.75	28.75	12.25	190
GL46D-180	\$6,580	18,000	2,400	85.75	28.75	12.25	250
GL56D-225	\$7,610	22,500	3,000	103.75	28.75	12.25	290
GL66D-268	\$8,660	26,800	3,600	121.75	28.75	12.25	340
GL14D-35	\$2,260	3,500	630	31.75	28.75	12.25	90
GL24D-70	\$3,600	7,000	1,260	49.75	28.75	12.25	130
GL34D-105	\$4,860	10,500	1,890	67.75	28.75	12.25	180
GL44D-140	\$6,290	14,000	2,520	85.75	28.75	12.25	240
GL54D-175	\$7,270	17,500	3,150	103.75	28.75	12.25	280
GL64D-210	\$8,280	21,000	3,780	121.75	28.75	12.25	330

***(Units come standard with EC motors; deduct for PSC)**



GH & GL MODELS

HOT GAS DEFROST MEDIUM TEMPERATURE LOW VELOCITY

GENTLE AIR - 18" HIGH SILHOUETTE

MODEL	LIST PRICE BY DEFROST TY				CAPACITY (BTUH) @ 10° F TD	AIR FLOW (CFM)	DIMENSIONS (IN)			SHIP WGT. (LBS)
	(P)-KGE	(M)-KG	(H)-HGE	(F)-HG			L	W	H	
GH16()-60	\$2,970	\$2,690	\$2,740	\$2,530	6,000	900	31.75	28.75	18.25	130
GH26()-130	\$4,710	\$4,370	\$4,490	\$4,140	13,000	1,800	49.75	28.75	18.25	180
GH36()-198	\$6,460	\$5,980	\$6,220	\$5,760	19,800	2,700	67.75	28.75	18.25	240
GH46()-270	\$7,750	\$7,190	\$7,520	\$6,960	27,000	3,600	85.75	28.75	18.25	320
GH56()-340	\$9,130	\$8,480	\$8,890	\$8,250	34,000	4,500	103.75	28.75	18.25	370
GH66()-410	\$10,500	\$9,760	\$10,270	\$9,530	41,000	5,400	121.75	28.75	18.25	420
GH14()-50	\$2,870	\$2,670	\$2,650	\$2,440	5,000	940	31.75	28.75	18.25	120
GH24()-100	\$4,600	\$4,280	\$4,370	\$4,050	10,000	1,880	49.75	28.75	18.25	170
GH34()-150	\$6,340	\$5,900	\$6,110	\$5,660	15,000	2,820	67.75	28.75	18.25	230
GH44()-200	\$7,630	\$7,080	\$7,400	\$6,850	20,000	3,760	85.75	28.75	18.25	310
GH54()-250	\$8,890	\$8,380	\$8,790	\$8,140	25,500	4,700	103.75	28.75	18.25	360
GH64()-300	\$10,410	\$9,670	\$10,160	\$9,440	30,000	5,640	121.75	28.75	18.25	410

GENTLE AIR - 12" LOW SILHOUETTE

MODEL	LIST PRICE BY DEFROST TY				CAPACITY (BTUH) @ 10° F TD	AIR FLOW (CFM)	DIMENSIONS (IN)			SHIP WGT. (LBS)
	(P)-KGE	(M)-KG	(H)-HGE	(F)-HG			L	W	H	
GL16()-45	\$2,560	\$2,390	\$2,340	\$2,160	4,500	600	31.75	28.75	12.25	100
GL26()-90	\$3,930	\$3,670	\$3,700	\$3,430	9,000	1,200	49.75	28.75	12.25	140
GL36()-135	\$5,210	\$4,850	\$4,980	\$4,620	13,500	1,800	67.75	28.75	12.25	190
GL46()-180	\$6,660	\$6,210	\$6,430	\$5,980	18,000	2,300	85.75	28.75	12.25	250
GL56()-225	\$7,670	\$7,140	\$7,440	\$6,910	22,500	3,000	103.75	28.75	12.25	290
GL66()-268	\$8,690	\$8,110	\$8,460	\$7,880	26,800	3,600	121.75	28.75	12.25	340
GL14()-35	\$2,520	\$2,330	\$2,290	\$2,110	3,500	630	31.75	28.75	12.25	90
GL24()-70	\$3,880	\$3,600	\$3,700	\$3,380	7,000	1,260	49.75	28.75	12.25	130
GL34()-105	\$5,150	\$4,800	\$4,980	\$4,570	10,500	1,890	67.75	28.75	12.25	180
GL44()-140	\$6,600	\$6,150	\$6,370	\$5,910	14,000	2,520	85.75	28.75	12.25	240
GL54()-175	\$7,600	\$7,090	\$7,360	\$6,860	17,500	3,150	103.75	28.75	12.25	280
GL64()-210	\$8,600	\$8,040	\$8,370	\$7,810	21,000	3,780	121.75	28.75	12.25	330

***(Units come standard with EC motors; deduct for PSC)**

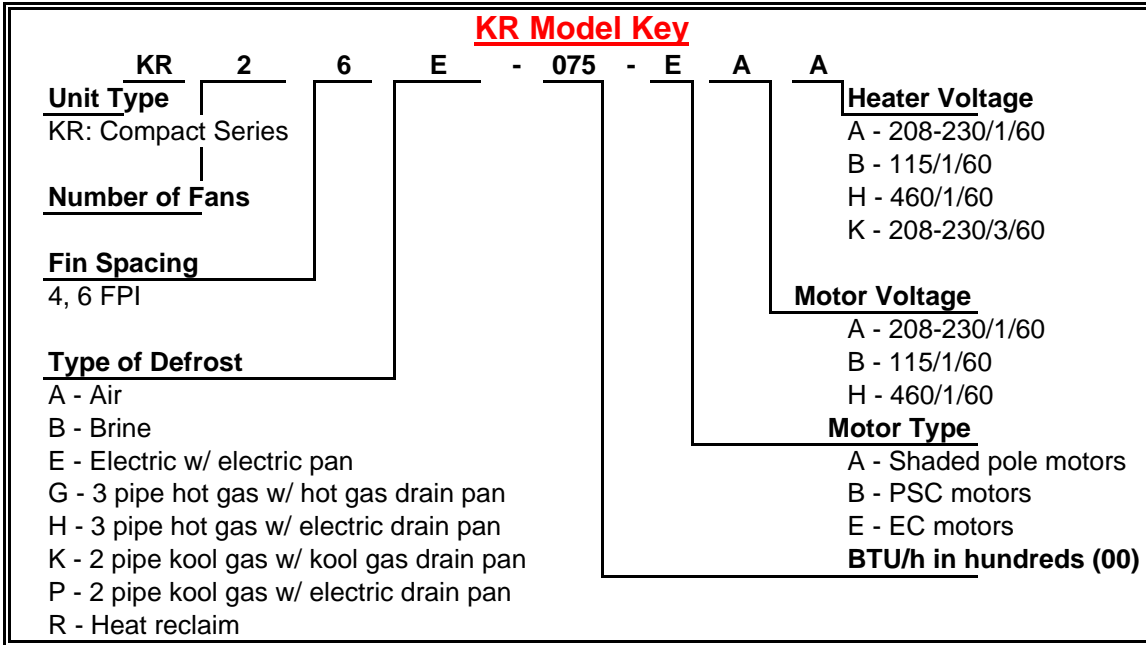
Available types of defrost

- (H)-HGE 3 Pipe Hot Gas with Electric Pan
- (F)-HG 3 Pipe Hot Gas with no Pan Heat
- (P)-KGE 2 Pipe Kool gas with Electric Pan
- (M)-KG 2 Pipe Kool Gas with no Pan Heat

(F) and (H) do not include defrost termination or fan delay

*Prices, availability,
and specifications subject
to change without notice.*

KR Model Key





KR AIR SERIES

AIR DEFROST MEDIUM TEMPERATURE

MODEL	LIST PRICE	CAPACITY (BTUH) @ 10° F		DIMENSIONS (IN)			SHIP WGT. (LBS)
		TD	AIR FLOW (CFM)	L	W	H	
KR16A-040	\$1,160	4,000	845	29.13	15.32	15.9	55
KR16A-054	\$1,270	5,400	845	29.13	15.32	15.9	60
KR16A-060	\$1,310	6,000	845	29.13	15.32	15.9	60
KR26A-072	\$1,840	7,200	1,690	47.13	15.32	15.9	90
KR26A-089	\$2,010	8,900	1,690	47.13	15.32	15.9	100
KR26A-105	\$2,150	10,500	1,690	47.13	15.32	15.9	100
KR26A-115	\$2,200	11,500	1,690	47.13	15.32	15.9	100
KR26A-125	\$2,330	12,500	1,690	47.13	15.32	15.9	100
KR36A-134	\$2,760	13,400	2,535	65.13	15.32	15.9	120
KR36A-159	\$3,110	15,900	2,535	65.13	15.32	15.9	140
KR36A-170	\$3,280	17,000	2,535	65.13	15.32	15.9	140
KR46A-216	\$4,110	21,600	3,380	83.13	15.32	15.9	180
KR56A-242	\$4,730	24,200	4,225	101.13	15.32	15.9	220
KR66A-310	\$5,710	31,000	5,070	119.13	15.32	15.9	265
KR66A-340	\$6,050	34,000	5,070	119.13	15.32	15.9	265
KR14A-058	\$1,200	5,800	855	29.13	15.32	15.9	60
KR24A-096	\$2,140	9,600	1,750	47.13	15.32	15.9	90
KR24A-117	\$2,260	11,700	1,710	47.13	15.32	15.9	100
KR34A-143	\$2,740	14,300	2,625	65.13	15.32	15.9	125
KR34A-173	\$3,210	17,300	2,565	65.13	15.32	15.9	140
KR44A-191	\$3,870	19,100	3,500	83.13	15.32	15.9	165
KR44A-232	\$4,130	23,200	3,420	83.13	15.32	15.9	180
KR54A-290	\$5,060	29,000	4,275	101.13	15.32	15.9	225
KR64A-348	\$6,000	34,800	5,130	119.13	15.32	15.9	265

MODEL OPTIONS

No. of Fans	Reverse Air Flow	Long Throw Adapters	Insulated Drain Pan	Painted Housing	SS Housing & DP	SS Drain	SS
						Pan (only)	Housing & Ins DP
1	\$90	\$80	\$430	\$310	\$810	\$310	\$1,050
2	\$180	\$160	\$550	\$600	\$1,110	\$470	\$1,500
3	\$270	\$240	\$670	\$900	\$1,270	\$540	\$1,820
4	\$360	\$320	\$800	\$1,190	\$1,540	\$630	\$2,020
5	\$450	\$400	\$930	\$1,490	\$1,830	\$690	\$2,370
6	\$540	\$480	\$1,060	\$1,780	\$2,100	\$710	\$2,830

**(Units come standard with EC motors; must deduct for PSC)*

No. of Fans	SS Ins Drain	SS LTA	PSC Motor	Copper Fin	Electro Fin (Air
	Pan		Deduct*		Defrost only)
1	\$550	\$350	(\$280)	\$350	\$1,370
2	\$860	\$700	(\$560)	\$700	\$1,370
3	\$1,080	\$1,050	(\$840)	\$1,050	\$1,370
4	\$1,110	\$1,400	(\$1,120)	\$1,400	\$1,370
5	\$1,230	\$1,750	(\$1,400)	\$1,750	\$1,370
6	\$1,440	\$2,100	(\$1,680)	\$2,100	\$1,630

Prices, availability, and specifications subject to change without notice.



KR ELECTRIC SERIES

ELECTRIC DEFROST LOW TEMPERATURE

MODEL	LIST PRICE	CAPACITY (BTUH) @ 10° F		AIR FLOW (CFM)	DIMENSIONS (IN)			SHIP WGT. (LBS)
		-20 SST	+20 SST		L	W	H	
KR14E-037	\$1,470	3,700	5,000	875	29.13	15.32	15.9	55
KR24E-065	\$2,600	6,500	8,780	1,750	47.13	15.32	15.9	90
KR24E-074	\$2,720	7,400	9,990	1,750	47.13	15.32	15.9	90
KR34E-111	\$3,790	11,100	14,990	2,625	65.13	15.32	15.9	125
KR44E-148	\$5,010	14,800	19,850	3,500	83.13	15.32	15.9	165
KR54E-185	\$6,320	18,500	24,980	4,375	101.13	15.32	15.9	200
KR64E-213	\$7,010	21,300	28,760	5,250	119.13	15.32	15.9	240
KR64E-220	\$7,220	22,000	29,700	5,250	119.13	15.32	15.9	240
KR16E-035	\$1,660	3,500	4,730	845	29.13	15.32	15.9	55
KR16E-041	\$1,770	4,100	5,540	845	29.13	15.32	15.9	60
KR16E-045	\$1,840	4,500	6,080	845	29.13	15.32	15.9	60
KR26E-067	\$2,560	6,700	9,050	1,690	47.13	15.32	15.9	100
KR26E-075	\$2,600	7,500	10,130	1,690	47.13	15.32	15.9	100
KR26E-090	\$2,750	9,000	12,150	1,690	47.13	15.32	15.9	100
KR36E-126	\$3,710	12,600	17,010	2,535	65.13	15.32	15.9	140
KR36E-135	\$3,920	13,500	18,230	2,535	65.13	15.32	15.9	140
KR46E-160	\$4,760	16,000	21,600	3,380	83.13	15.32	15.9	180
KR46E-180	\$5,250	18,000	24,300	3,380	83.13	15.32	15.9	180
KR56E-192	\$5,860	19,200	25,920	4,225	101.13	15.32	15.9	220
KR66E-240	\$6,910	24,000	32,400	5,070	119.13	15.32	15.9	265
KR66E-270	\$7,500	27,000	36,450	5,070	119.13	15.32	15.9	265

**(Units come standard with EC motors; deduct for PSC)*



KR GAS SERIES

GAS DEFROST LOW TEMPERATURE

MODEL	LIST PRICE BY DEFROST TYPE				CAPACITY		AIR FLOW	DIMENSIONS (IN)			SHIP WGT. (LBS)
	(P)-KGE	(K)-KGG	(H)-HGE	(G)-HGG	-20 SST	+20 SST	(CFM)	L	W	H	
KR14()-037	\$1,580	\$2,040	\$1,480	\$1,850	3,700	5,000	875	29.13	15.32	15.9	55
KR24()-065	\$2,770	\$3,540	\$2,590	\$3,220	6,500	8,780	1,750	47.13	15.32	15.9	90
KR24()-074	\$2,840	\$3,640	\$2,660	\$3,320	7,400	9,990	1,750	47.13	15.32	15.9	90
KR34()-111	\$3,220	\$4,050	\$3,020	\$3,710	11,100	14,990	2,625	65.13	15.32	15.9	125
KR44()-148	\$4,190	\$5,280	\$3,950	\$4,840	14,800	19,850	3,500	83.13	15.32	15.9	165
KR54()-185	\$5,190	\$6,520	\$4,890	\$5,990	18,500	24,980	4,375	101.13	15.32	15.9	200
KR64()-213	\$5,910	\$7,390	\$5,580	\$6,790	21,300	28,760	5,250	119.13	15.32	15.9	240
KR64()-220	\$6,080	\$7,630	\$5,730	\$7,010	22,000	29,700	5,250	119.13	15.32	15.9	240
KR16()-035	\$1,660	\$2,140	\$1,550	\$1,940	3,500	4,730	845	29.13	15.32	15.9	55
KR16()-041	\$1,800	\$2,330	\$1,690	\$2,130	4,100	5,540	845	29.13	15.32	15.9	60
KR16()-045	\$1,930	\$2,510	\$1,800	\$2,280	4,500	6,080	845	29.13	15.32	15.9	60
KR26()-067	\$2,560	\$3,250	\$2,390	\$2,970	6,700	9,050	1,690	47.13	15.32	15.9	100
KR26()-075	\$2,720	\$3,490	\$2,550	\$3,170	7,500	10,130	1,690	47.13	15.32	15.9	100
KR26()-090	\$2,970	\$3,810	\$2,780	\$3,480	9,000	12,150	1,690	47.13	15.32	15.9	100
KR36()-126	\$3,190	\$4,010	\$3,000	\$3,670	12,600	17,010	2,535	65.13	15.32	15.9	140
KR36()-135	\$3,440	\$4,350	\$3,230	\$3,970	13,500	18,230	2,535	65.13	15.32	15.9	140
KR46()-160	\$3,980	\$5,000	\$3,750	\$4,580	16,000	21,600	3,380	83.13	15.32	15.9	180
KR46()-180	\$4,430	\$5,590	\$4,160	\$5,120	18,000	24,300	3,380	83.13	15.32	15.9	180
KR56()-192	\$5,110	\$6,270	\$4,850	\$5,800	19,200	25,920	4,225	101.13	15.32	15.9	220
KR66()-240	\$5,710	\$7,130	\$5,390	\$6,560	24,000	32,400	5,070	119.13	15.32	15.9	265
KR66()-270	\$6,200	\$7,800	\$5,840	\$7,150	27,000	36,450	5,070	119.13	15.32	15.9	265

**(Units come standard with EC motors; deduct for PSC)*

Available types of defrost

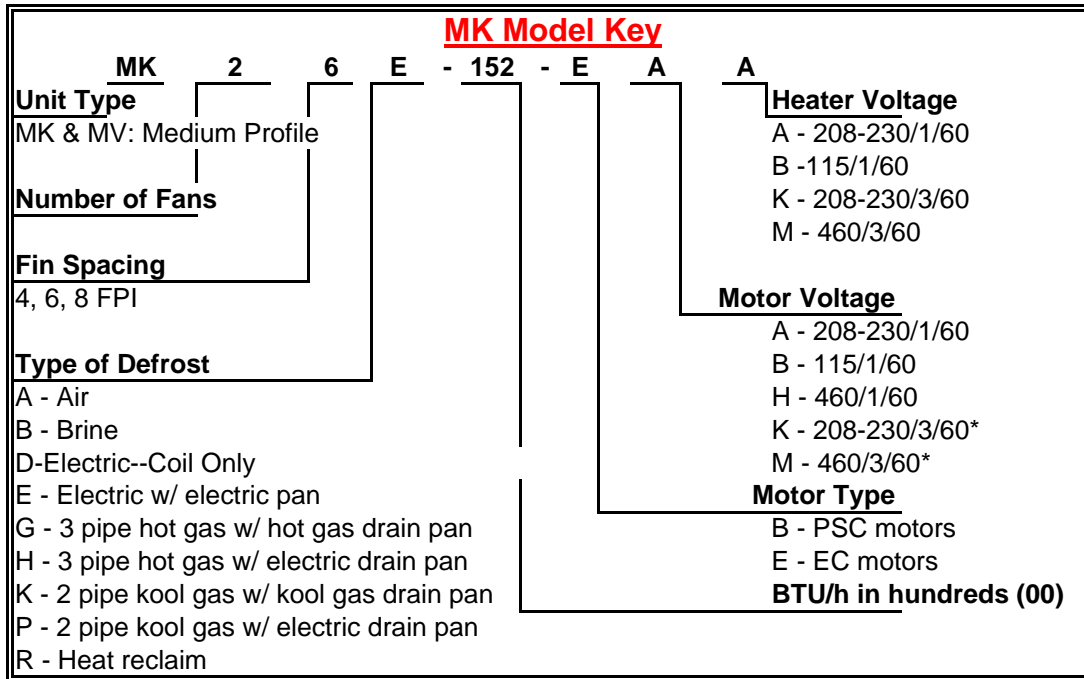
(H)-HGE 3 Pipe Hot Gas with Electric Pan

(G)-HGG 3 Pipe Hot Gas with Hot Gas Pan

(P)-KGE 2 Pipe Kool gas with Electric Pan

(K)-KGG 2 Pipe Kool Gas with Kool Gas Pan

* H & G Do not include defrost termination or fan delay



***Single phase motors wired for three phase operation. Not available on one fan units**



MK AIR MODELS

AIR DEFROST MEDIUM TEMPERATURE

MODEL	LIST PRICE	CAPACITY (BTUH) @ 10°F TD		DIMENSIONS (IN)			SHIP
		+20 SST	AIR FLOW (CFM)	L	W	H	WGT. (LBS)
MK14A-68	\$1,930	6,800	3,245	38.00	19.00	26.75	115
MK16A-86	\$2,020	8,600	2,985	38.00	19.00	26.75	115
MK14A-94	\$2,050	9,400	3,060	38.00	19.00	26.75	125
MK18A-98	\$2,080	9,800	2,860	38.00	19.00	26.75	115
MK16A-118	\$2,520	11,800	2,815	38.00	19.00	26.75	125
MK14A-121	\$2,690	12,100	2,960	38.00	19.00	26.75	130
MK18A-133	\$2,730	13,300	2,710	38.00	19.00	26.75	125
MK16A-145	\$2,760	14,500	2,725	38.00	19.00	26.75	130
MK18A-160	\$2,810	16,000	2,625	38.00	19.00	26.75	130
MK26A-172	\$3,710	17,200	5,970	63.00	19.00	26.75	215
MK24A-188	\$3,970	18,800	6,120	63.00	19.00	26.75	225
MK28A-196	\$4,220	19,600	5,720	63.00	19.00	26.75	215
MK26A-236	\$4,590	23,600	5,630	63.00	19.00	26.75	225
MK24A-242	\$4,670	24,200	5,920	63.00	19.00	26.75	240
MK28A-266	\$4,780	26,600	5,420	63.00	19.00	26.75	225
MK26A-290	\$5,430	29,000	5,450	63.00	19.00	26.75	240
MK28A-320	\$5,680	32,000	5,250	63.00	19.00	26.75	240
MK36A-354	\$6,890	35,400	8,445	92.00	19.00	26.75	330
MK34A-363	\$7,230	36,300	8,880	92.00	19.00	26.75	350
MK38A-393	\$8,050	39,300	8,130	92.00	19.00	26.75	330
MK36A-435	\$8,410	43,500	8,175	92.00	19.00	26.75	350
MK38A-480	\$8,750	48,000	7,875	92.00	19.00	26.75	350
MK44A-484	\$9,630	48,400	11,840	119.00	19.00	26.75	470
MK46A-580	\$10,140	58,000	10,900	119.00	19.00	26.75	470
MK48A-640	\$10,460	64,000	10,500	119.00	19.00	26.75	470

*(Units come standard with EC motors; deduct for PSC)

MODEL OPTIONS

No. of Fans	Long Throw Adapters	Insulated Drain Pan	Painted Housing	SS Housing & Non Ins DP	SS Non Ins Drain Pan (only)	SS Housing & Ins DP
1	\$210	\$400	\$450	\$1,390	\$620	\$2,070
2	\$420	\$500	\$900	\$1,740	\$780	\$2,580
3	\$630	\$660	\$1,340	\$2,370	\$1,020	\$3,320
4	\$840	\$1,060	\$1,790	\$3,450	\$1,640	\$4,770

No. of Fans	SS Ins Drain Pan	SS LTA	PSC Motor Deduct*	Copper Fin	Electro Fin (Air Defrost only)
1	\$1,230	\$520	(\$510)	\$750	\$1,370
2	\$1,520	\$1,040	(\$1,020)	\$1,510	\$1,580
3	\$1,830	\$1,560	(\$1,530)	\$2,260	\$2,260
4	\$2,780	\$2,080	(\$2,040)	\$3,010	\$2,940

Prices, availability,
and specifications subject
to change without notice.



MK/MV ELECTRIC SERIES - MEDIUM PROFILE UNITS

ELECTRIC DEFROST LOW/MEDIUM TEMPERATURE

MODEL	LIST PRICE	CAPACITY (BTUH)		AIR FLOW (CFM)	DIMENSIONS (IN)			SHIP WGT. (LBS)
		@ 10° F TD	@10° F TD		L	W	H	
		-20 SST	+20 SST					
MK16E-76	\$2,980	7,600	8,600	2,985	38.00	19.00	26.75	115
MK16E-103	\$3,200	10,300	11,800	2,815	38.00	19.00	26.75	125
MK16E-127	\$3,370	12,700	14,500	2,725	38.00	19.00	26.75	130
MK26E-152	\$4,390	15,200	17,200	5,970	63.00	19.00	26.75	215
MK26E-206	\$5,520	20,600	23,600	5,630	63.00	19.00	26.75	225
MK26E-254	\$6,710	25,400	29,000	5,450	63.00	19.00	26.75	240
MK36E-309	\$8,060	30,900	35,400	8,445	92.00	19.00	26.75	330
MK36E-381	\$9,130	38,100	43,500	8,175	92.00	19.00	26.75	350
MK46E-508	\$10,800	50,800	58,000	10,900	119.00	19.00	26.75	470
MK14E-60	\$2,930	6,000	6,800	3,245	38.00	19.00	26.75	115
MK14E-82	\$3,160	8,200	9,400	3,060	38.00	19.00	26.75	125
MK14E-105	\$3,310	10,500	12,100	2,960	38.00	19.00	26.75	130
MK24E-120	\$4,250	12,000	13,600	6,490	63.00	19.00	26.75	215
MK24E-164	\$5,400	16,400	18,800	6,120	63.00	19.00	26.75	225
MK24E-210	\$6,600	21,000	24,200	5,920	63.00	19.00	26.75	240
MK34E-246	\$7,920	24,600	28,200	9,180	92.00	19.00	26.75	330
MK34E-315	\$8,960	31,500	36,300	8,880	92.00	19.00	26.75	350
MK44E-420	\$10,600	42,000	48,400	11,840	119.00	19.00	26.75	470

LOW TEMPERATURE - BELOW +30°F EXTRA HIGH VELOCITY

MODEL	LIST PRICE	CAPACITY (BTUH)		AIR FLOW (CFM)	DIMENSIONS (IN)			SHIP WGT. (LBS)
		@ 10°F TD	@10°F TD		L	W	H	
		-20 SST	+20 SST					
MV16E-93	\$3,430	9,300	N/A	4,405	38.00	19.00	26.75	115
MV16E-126	\$3,940	12,600	N/A	3,955	38.00	19.00	26.75	125
MV16E-155	\$4,590	15,500	N/A	3,800	38.00	19.00	26.75	130
MV26E-186	\$6,170	18,600	N/A	8,810	63.00	19.00	26.75	215
MV26E-252	\$6,590	25,200	N/A	7,910	63.00	19.00	26.75	225
MV26E-310	\$7,860	31,000	N/A	7,600	63.00	19.00	26.75	240
MV36E-378	\$9,390	37,800	N/A	11,865	92.00	19.00	26.75	330
MV36E-465	\$10,670	46,500	N/A	11,400	92.00	19.00	26.75	350
MV46E-620	\$12,560	62,000	N/A	15,200	119.00	19.00	26.75	470
MV14E-73	\$3,280	7,300	N/A	4,790	38.00	19.00	26.75	115
MV14E-100	\$3,740	10,000	N/A	4,300	38.00	19.00	26.75	125
MV14E-128	\$4,270	12,800	N/A	4,130	38.00	19.00	26.75	130
MV24E-146	\$5,880	14,600	N/A	9,580	63.00	19.00	26.75	215
MV24E-200	\$6,510	20,000	N/A	8,600	63.00	19.00	26.75	225
MV24E-256	\$7,690	25,600	N/A	8,260	63.00	19.00	26.75	240
MV34E-300	\$9,220	30,000	N/A	12,900	92.00	19.00	26.75	330
MV34E-384	\$10,460	38,400	N/A	12,390	92.00	19.00	26.75	350
MV44E-512	\$12,320	51,200	N/A	16,520	119.00	19.00	26.75	470

**(Units come standard with EC motors for 115 and 230 V; deduct for PSC/Shaded Pole and on 460V units)*

*Prices, availability,
and specifications subject
to change without notice.*



MK/MV GAS SERIES - MEDIUM PROFILE UNITS

HOT GAS DEFROST, LOW/MEDIUM TEMPERATURE

MODEL	LIST PRICE BY DEFROST TYPE				CAPACITY (BTUH) @ 10°F TD		AIR FLOW (CFM)	DIMENSIONS (IN)			SHIP WGT. (LBS)
	(P)-KGE	(K)-KGG	(H)-HGE	(G)-HGG	-20 SST	+20 SST		L	W	H	
MK16()-76	\$2,910	\$3,280	\$2,680	\$3,050	7,600	8,600	2,985	38.00	19.00	26.75	115
MK16()-103	\$3,130	\$3,530	\$2,900	\$3,310	10,300	11,800	2,815	38.00	19.00	26.75	125
MK16()-127	\$3,290	\$3,720	\$3,070	\$3,490	12,700	14,500	2,725	38.00	19.00	26.75	130
MK26()-152	\$4,290	\$4,790	\$4,060	\$4,570	15,200	17,200	5,970	63.00	19.00	26.75	215
MK26()-206	\$5,380	\$6,050	\$5,150	\$5,810	20,600	23,600	5,630	63.00	19.00	26.75	225
MK26()-254	\$6,530	\$7,390	\$6,310	\$7,160	25,400	29,000	5,450	63.00	19.00	26.75	240
MK36()-309	\$7,740	\$8,850	\$7,500	\$8,620	30,900	35,400	8,445	92.00	19.00	26.75	330
MK36()-381	\$8,760	\$10,050	\$8,530	\$9,810	38,100	43,500	8,175	92.00	19.00	26.75	350
MK46()-508	\$10,360	\$11,850	\$10,130	\$11,620	50,800	58,000	10,900	119.00	19.00	26.75	470
MK14()-60	\$2,800	\$3,150	\$2,570	\$2,920	6,000	6,800	3,245	38.00	19.00	26.75	115
MK14()-82	\$3,010	\$3,400	\$2,780	\$3,170	8,200	9,400	3,060	38.00	19.00	26.75	125
MK14()-105	\$3,150	\$3,560	\$2,920	\$3,330	10,500	12,100	2,960	38.00	19.00	26.75	130
MK24()-120	\$4,070	\$4,590	\$3,840	\$4,320	12,000	13,600	6,490	63.00	19.00	26.75	215
MK24()-164	\$5,160	\$5,790	\$4,930	\$5,560	16,400	18,800	6,120	63.00	19.00	26.75	225
MK24()-210	\$6,290	\$7,090	\$6,070	\$6,870	21,000	24,200	5,920	63.00	19.00	26.75	240
MK34()-246	\$7,430	\$8,480	\$7,200	\$8,250	24,600	28,200	9,180	92.00	19.00	26.75	330
MK34()-315	\$8,390	\$9,620	\$8,170	\$9,390	31,500	36,300	8,880	92.00	19.00	26.75	350
MK44()-420	\$9,940	\$11,350	\$9,710	\$11,130	42,000	48,400	11,840	119.00	19.00	26.75	470

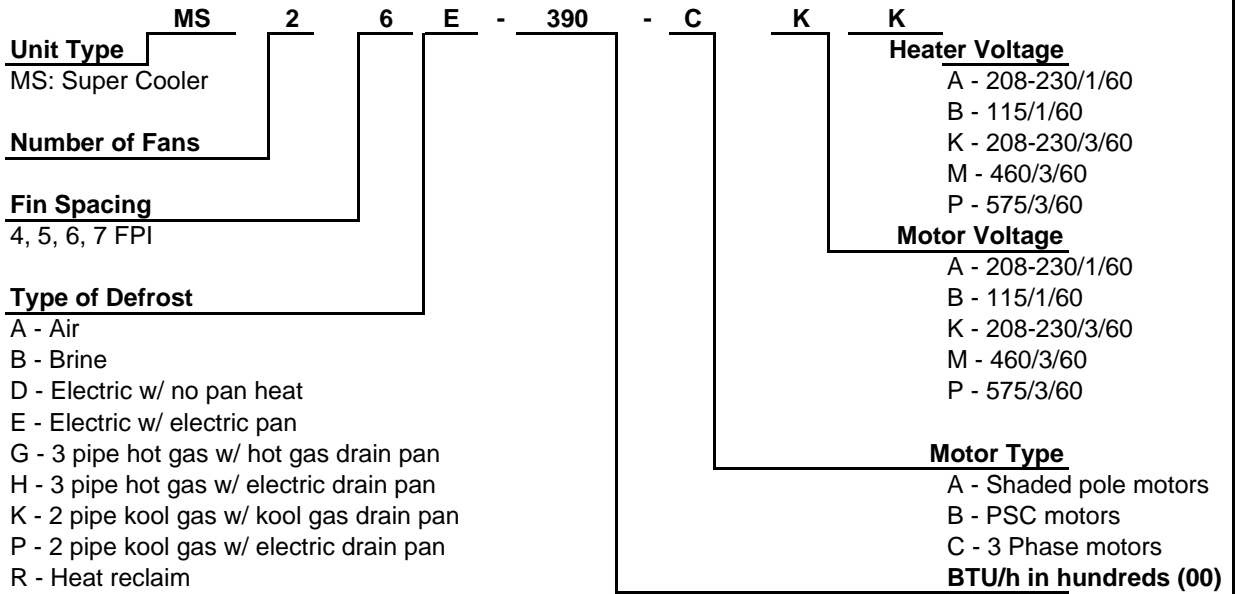
**(Units come standard with EC motors for 115 and 230 V; deduct for PSC//Shaded Pole and on 460V units)*

Available types of defrost

- (H)-HGE 3 Pipe Hot Gas with Electric Pan*
- (G)-HGG 3 Pipe Hot Gas with Hot Gas Pan*
- (P)-KGE 2 Pipe Kool gas with Electric Pan
- (K)-KGG 2 Pipe Kool Gas with Kool Gas Pan

*** H & G Units do not include defrost termination or fan delay**

MS Model Key





MS AIR SERIES MODELS

Air Defrost - Medium Temperature

MODEL	LIST PRICE	CAPACITY (BTUH) @ 10°F TD		AIR FLOW (CFM)	DIMENSIONS (IN)			SHIP WGT. (LBS)
		+20 SST			L	W	H	
MS14A-150	\$3,200	15,020		4200	57.00	26.625	26.25	142
MS14A-190	\$3,910	19,030		4120	57.00	26.625	26.25	153
MS14A-225	\$4,430	22,470		4000	57.00	26.625	26.25	171
MS14A-249	\$4,920	24,910		3920	57.00	26.625	26.25	184
MS16A-184	\$3,310	18,360		4120	57.00	26.625	26.25	151
MS16A-229	\$4,020	22,940		4040	57.00	26.625	26.25	164
MS16A-260	\$4,580	26,010		3940	57.00	26.625	26.25	182
MS16A-281	\$5,080	28,100		3850	57.00	26.625	26.25	197
MS17A-199	\$3,360	19,880		4080	57.00	26.625	26.25	161
MS17A-246	\$4,110	24,590		4000	57.00	26.625	26.25	174
MS17A-275	\$4,670	27,500		3900	57.00	26.625	26.25	194
MS17A-295	\$5,180	29,540		3800	57.00	26.625	26.25	209
MS24A-300	\$5,350	30,040		8400	102.00	26.625	26.25	247
MS24A-381	\$6,800	38,050		8240	102.00	26.625	26.25	272
MS24A-450	\$7,670	44,950		8000	102.00	26.625	26.25	301
MS24A-498	\$8,290	49,820		7840	102.00	26.625	26.25	326
MS26A-367	\$5,510	36,710		8240	102.00	26.625	26.25	269
MS26A-459	\$7,010	45,880		8080	102.00	26.625	26.25	297
MS26A-520	\$7,900	52,030		7880	102.00	26.625	26.25	328
MS26A-562	\$8,540	56,190		7700	102.00	26.625	26.25	355
MS27A-398	\$5,630	39,760		8160	102.00	26.625	26.25	309
MS27A-492	\$7,150	49,180		8000	102.00	26.625	26.25	342
MS27A-550	\$8,060	55,000		7800	102.00	26.625	26.25	370
MS27A-591	\$8,710	59,080		7600	102.00	26.625	26.25	419
MS34A-524	\$9,230	52,400		12135	129.00	26.625	26.25	369
MS34A-623	\$10,470	62,250		11505	129.00	26.625	26.25	402
MS34A-708	\$11,160	70,820		11325	129.00	26.625	26.25	433
MS36A-626	\$9,520	62,610		11895	129.00	26.625	26.25	402
MS36A-712	\$10,790	71,180		11040	129.00	26.625	26.25	438
MS36A-806	\$11,510	80,620		10995	129.00	26.625	26.25	472
MS37A-663	\$9,730	66,340		11700	129.00	26.625	26.25	419
MS37A-755	\$11,470	75,540		10995	129.00	26.625	26.25	456
MS37A-849	\$11,740	84,870		10905	129.00	26.625	26.25	492
MS44A-699	\$12,040	69,870		16180	168.00	26.625	26.25	493
MS44A-830	\$13,040	83,000		15340	168.00	26.625	26.25	528
MS44A-944	\$14,340	94,430		15100	168.00	26.625	26.25	578
MS46A-835	\$12,420	83,480		15860	168.00	26.625	26.25	538
MS46A-949	\$13,440	94,900		14720	168.00	26.625	26.25	576
MS46A-1075	\$14,800	107,490		14660	168.00	26.625	26.25	630
MS47A-885	\$12,680	88,450		15600	168.00	26.625	26.25	560
MS47A-1007	\$13,750	100,720		14660	168.00	26.625	26.25	600
MS47A-1132	\$15,140	113,170		14540	168.00	26.625	26.25	656

MODEL OPTIONS

No. of Fans	Long Throw Adapters	Insulated Drain Pan	Painted Housing	SS Housing & DP	SS Drain Pan (only)
1	\$260	\$450	\$840	\$1,860	\$600
2	\$520	\$800	\$1,280	\$2,930	\$1,070
3	\$780	\$980	\$1,560	\$4,710	\$2,060
4	\$1,040	\$1,290	\$1,950	\$5,560	\$2,380

* EC motors *not* available on MS Evaporators

No. of Fans	SS Housing & Ins DP	SS Ins Drain Pan	SS LTA	Copper Fin	Electro Fin (Air Defrost only)
1	\$2,590	\$1,200	\$780	\$1,740	\$1,770
2	\$4,150	\$2,110	\$1,560	\$3,470	\$2,480
3	\$5,970	\$3,070	\$2,340	\$5,210	\$3,160
4	\$7,310	\$3,810	\$3,120	\$6,950	\$4,150

Prices, availability, and specifications subject to change without notice.



MS ELECTRIC SERIES

Electric Defrost-Low Temperature

MS Series

MODEL	LIST PRICE	CAPACITY (BTUH) @ 10°F TD		AIR FLOW (CFM)	DIMENSIONS (IN)			SHIP WGT. (LBS)
		-20 SST	+20 SST		L	W	H	
MS14E-162	\$4,550	16,180	19,030	4,120	57.00	26.625	26.25	174
MS14E-212	\$5,630	21,170	24,910	3,920	57.00	26.625	26.25	208
MS15E-178	\$4,620	17,790	20,930	4,060	57.00	26.625	26.25	186
MS15E-223	\$5,720	22,260	26,190	3,890	57.00	26.625	26.25	221
MS16E-195	\$4,700	19,500	22,940	4,040	57.00	26.625	26.25	198
MS16E-239	\$5,790	23,890	28,100	3,850	57.00	26.625	26.25	236
MS24E-323	\$9,660	32,340	38,050	8,240	102.00	26.625	26.25	297
MS24E-424	\$10,590	42,350	49,820	7,840	102.00	26.625	26.25	357
MS25E-356	\$9,810	35,580	41,860	8,120	102.00	26.625	26.25	317
MS25E-444	\$10,770	44,450	52,290	7,780	102.00	26.625	26.25	381
MS26E-390	\$9,960	39,000	45,880	8,080	102.00	26.625	26.25	337
MS26E-478	\$10,930	47,760	56,190	7,700	102.00	26.625	26.25	406
MS34E-445	\$11,290	44,540	52,400	12,135	129.00	26.625	26.25	398
MS34E-602	\$12,270	60,200	70,820	11,325	129.00	26.625	26.25	470
MS35E-502	\$11,490	50,180	59,030	12,015	129.00	26.625	26.25	425
MS35E-643	\$12,450	64,330	75,680	11,205	129.00	26.625	26.25	502
MS36E-532	\$11,660	53,220	62,610	11,895	129.00	26.625	26.25	452
MS36E-685	\$12,630	68,530	80,620	10,995	129.00	26.625	26.25	534
MS44E-594	\$14,460	59,390	69,870	16,180	168.00	26.625	26.25	541
MS44E-803	\$16,670	80,270	94,430	15,100	168.00	26.625	26.25	616
MS45E-669	\$14,690	66,900	78,710	16,020	168.00	26.625	26.25	578
MS45E-858	\$16,920	85,770	100,910	14,940	168.00	26.625	26.25	658
MS46E-710	\$14,910	70,960	83,480	15,860	168.00	26.625	26.25	615
MS46E-914	\$17,190	91,370	107,490	14,660	168.00	26.625	26.25	700



MS GAS SERIES

Hot Gas Defrost - Medium Profile

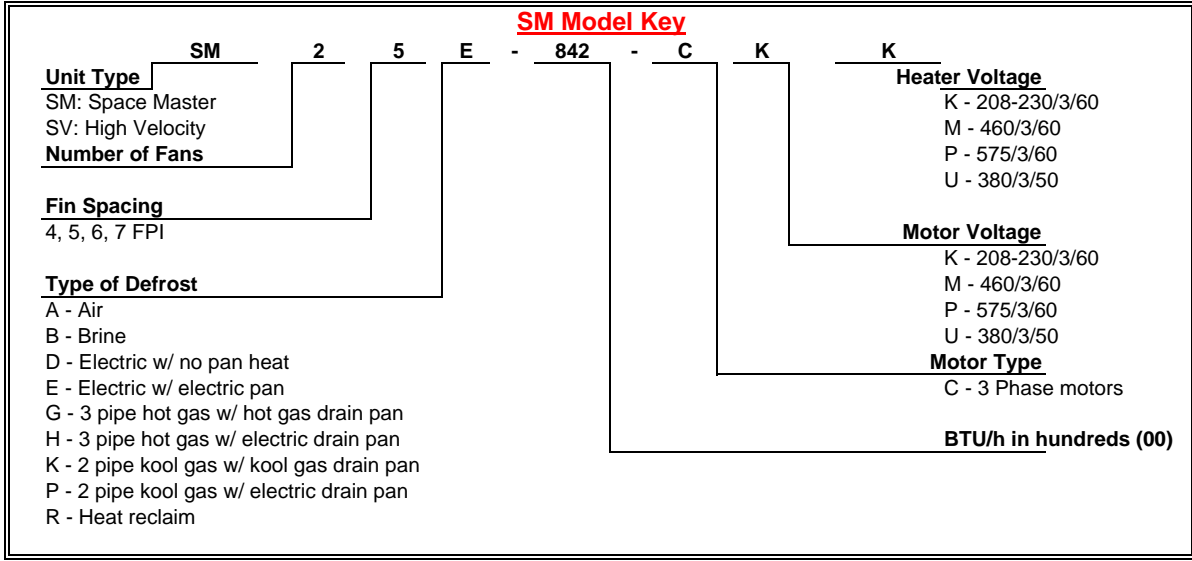
Low Temperature

MODEL	LIST PRICE BY DEFROST TYP				CAPACITY			DIMENSIONS (IN)			SHIP WGT. (LBS)
					(BTUH) @ 10°F		AIR FLOW				
	(P)-KGE	(K)-KGG	(H)-HGE	(G)-HGG	TD			(CFM)	L	W	
MS14()-162	\$4,430	\$5,610	\$4,230	\$5,560	16,180	19,030	4,120	57.00	26.625	26.25	174
MS14()-212	\$5,490	\$6,780	\$5,240	\$6,720	21,170	24,910	3,920	57.00	26.625	26.25	208
MS15()-178	\$4,510	\$5,680	\$4,300	\$5,660	17,790	20,930	4,060	57.00	26.625	26.25	186
MS15()-223	\$5,570	\$6,870	\$5,320	\$6,850	22,260	26,190	3,890	57.00	26.625	26.25	221
MS16()-195	\$4,580	\$5,750	\$4,370	\$5,740	19,500	22,940	4,040	57.00	26.625	26.25	198
MS16()-239	\$5,660	\$6,970	\$5,390	\$6,970	23,890	28,100	3,850	57.00	26.625	26.25	236
MS24()-323	\$9,410	\$11,480	\$8,990	\$11,380	32,340	38,050	8,240	102.00	26.625	26.25	297
MS24()-424	\$10,330	\$12,490	\$9,860	\$12,390	42,350	49,820	7,840	102.00	26.625	26.25	357
MS25()-356	\$9,570	\$11,640	\$9,130	\$11,600	35,580	41,860	8,120	102.00	26.625	26.25	317
MS25()-444	\$10,490	\$12,680	\$10,000	\$12,620	44,450	52,290	7,780	102.00	26.625	26.25	381
MS26()-390	\$9,720	\$11,800	\$9,260	\$11,790	39,000	45,880	8,080	102.00	26.625	26.25	337
MS26()-478	\$10,660	\$12,850	\$10,170	\$12,820	47,760	56,190	7,700	102.00	26.625	26.25	406
MS34()-445	\$11,020	\$13,480	\$10,510	\$13,370	44,540	52,400	12,135	129.00	26.625	26.25	398
MS34()-602	\$11,960	\$14,550	\$11,420	\$14,410	60,200	70,820	11,325	129.00	26.625	26.25	470
MS35()-502	\$11,200	\$13,680	\$10,690	\$13,570	50,180	59,030	12,015	129.00	26.625	26.25	425
MS35()-643	\$12,130	\$14,740	\$11,580	\$14,640	64,330	75,680	11,205	129.00	26.625	26.25	502
MS36()-532	\$11,370	\$13,870	\$10,850	\$13,800	53,220	62,610	11,895	129.00	26.625	26.25	452
MS36()-685	\$12,320	\$14,940	\$11,750	\$14,910	68,530	80,620	10,995	129.00	26.625	26.25	534
MS44()-594	\$14,110	\$17,240	\$13,440	\$17,090	59,390	69,870	16,180	168.00	26.625	26.25	541
MS44()-803	\$16,260	\$19,650	\$15,510	\$19,480	80,270	94,430	15,100	168.00	26.625	26.25	616
MS45()-669	\$14,320	\$17,470	\$13,650	\$17,380	66,900	78,710	16,020	168.00	26.625	26.25	578
MS45()-858	\$16,500	\$19,920	\$15,740	\$19,810	85,770	100,910	14,940	168.00	26.625	26.25	658
MS46()-710	\$14,530	\$17,720	\$13,860	\$17,670	70,960	83,480	15,860	168.00	26.625	26.25	615
MS46()-914	\$16,750	\$20,210	\$15,980	\$20,180	91,370	107,490	14,660	168.00	26.625	26.25	700

Available types of defrost

- (H)-HGE 3 Pipe Hot Gas with Electric Pan
- (G)-HGG 3 Pipe Hot Gas with Hot Gas Pan
- (P)-KGE 2 Pipe Kool gas with Electric Pan
- (K)-KGG 2 Pipe Kool Gas with Kool Gas Pan

SM Model Key



Unit Type

SM: Space Master
 SV: High Velocity

Number of Fans

Fin Spacing

4, 5, 6, 7 FPI

Type of Defrost

- A - Air
- B - Brine
- D - Electric w/ no pan heat
- E - Electric w/ electric pan
- G - 3 pipe hot gas w/ hot gas drain pan
- H - 3 pipe hot gas w/ electric drain pan
- K - 2 pipe kool gas w/ kool gas drain pan
- P - 2 pipe kool gas w/ electric drain pan
- R - Heat reclaim

Heater Voltage

- K - 208-230/3/60
- M - 460/3/60
- P - 575/3/60
- U - 380/3/50

Motor Voltage

- K - 208-230/3/60
- M - 460/3/60
- P - 575/3/60
- U - 380/3/50

Motor Type

- C - 3 Phase motors

BTU/h in hundreds (00)



SM AIR (SPACE MASTER) SERIES

AIR DEFROST MEDIUM TEMPERATURE

MEDIUM TEMPERATURE

MODEL	LIST PRICE	CAPACITY		DIMENSIONS (IN)			SHIP WGT. (LBS)
		(BTUH) @ 10°F TD	AIR FLOW (CFM)	L	W	H	
SM14A-314	\$6,040	31,400	9,860	77.00	38.50	40.50	410
SM16A-378	\$6,340	37,800	8,980	77.00	38.50	40.50	445
SM17A-410	\$6,480	41,000	8,550	77.00	38.50	40.50	465
SM14A-403	\$6,830	40,300	9,690	77.00	38.50	40.50	430
SM16A-463	\$7,040	46,300	8,810	77.00	38.50	40.50	470
SM17A-503	\$7,330	50,300	8,390	77.00	38.50	40.50	490
SM14A-469	\$7,450	46,900	9,510	77.00	38.50	40.50	450
SM16A-538	\$7,670	53,800	8,480	77.00	38.50	40.50	495
SM17A-585	\$8,220	58,500	8,100	77.00	38.50	40.50	515
SM14A-526	\$8,240	52,600	9,330	77.00	38.50	40.50	484
SM16A-604	\$8,350	60,400	8,400	77.00	38.50	40.50	530
SM17A-657	\$8,440	65,700	8,000	77.00	38.50	40.50	550
SM24A-619	\$9,640	61,900	19,700	134.25	38.50	40.50	830
SM26A-746	\$9,870	74,600	17,900	134.25	38.50	40.50	885
SM27A-811	\$10,210	81,100	17,100	134.25	38.50	40.50	940
SM24A-797	\$11,060	79,700	19,380	134.25	38.50	40.50	836
SM26A-915	\$11,490	91,500	17,600	134.25	38.50	40.50	895
SM27A-995	\$13,060	99,500	16,800	134.25	38.50	40.50	950
SM24A-882	\$13,920	88,200	18,890	134.25	38.50	40.50	845
SM26A-1063	\$14,640	106,300	16,900	134.25	38.50	40.50	905
SM27A-1155	\$15,900	115,500	16,100	134.25	38.50	40.50	960
SM24A-1038	\$16,630	103,800	18,400	134.25	38.50	40.50	858
SM26A-1192	\$17,240	119,200	16,800	134.25	38.50	40.50	915
SM27A-1296	\$17,310	129,600	15,900	134.25	38.50	40.50	975
SM34A-1123	\$17,470	112,300	28,600	134.25	38.50	51.00	960
SM36A-1289	\$17,830	128,900	24,900	134.25	38.50	51.00	1,070
SM37A-1402	\$18,230	140,200	24,700	134.25	38.50	51.00	1,090
SM34A-1243	\$18,780	124,300	28,000	134.25	38.50	51.00	1,034
SM36A-1498	\$19,160	149,800	24,600	134.25	38.50	51.00	1,156
SM37A-1628	\$20,160	162,800	23,700	134.25	38.50	51.00	1,175
SM34A-1463	\$20,790	146,300	27,400	134.25	38.50	51.00	1,100
SM36A-1678	\$21,100	167,800	24,400	134.25	38.50	51.00	1,235
SM37A-1824	\$22,890	182,400	23,500	134.25	38.50	51.00	1,255
SM44A-1532	\$23,600	153,200	33,900	173.00	38.50	52.50	1,280
SM46A-1846	\$23,970	184,600	33,200	173.00	38.50	52.50	1,430
SM47A-1920	\$24,360	192,000	32,930	173.00	38.50	52.50	1,455
SM44A-1829	\$26,730	182,900	33,400	173.00	38.50	52.50	1,380
SM46A-2204	\$27,200	220,400	32,800	173.00	38.50	52.50	1,540
SM47A-2281	\$27,310	228,100	31,600	173.00	38.50	52.50	1,565
SM44A-2015	\$28,620	201,500	33,000	173.00	38.50	52.50	1,470
SM46A-2428	\$28,840	242,800	32,530	173.00	38.50	52.50	1,645
SM47A-2581	\$29,360	258,100	31,330	173.00	38.50	52.50	1,670

MODEL OPTIONS

No. of Fans	Long Throw Adapters	Insulated Drain Pan	Painted Housing	SS Housing & DP	SS Drain Pan (only)
1	\$330	\$960	\$1,410	\$2,690	\$800
2	\$660	\$1,310	\$2,560	\$4,000	\$1,680
3	\$990	\$1,310	\$3,190	\$4,230	\$1,680
4	\$1,320	\$1,740	\$4,080	\$5,110	\$2,070

No. of Fans	SS Housing & Ins DP	SS Ins Drain Pan	SS LTA	Copper Fin	Electro Fin (Air Defrost only)
1	\$3,780	\$1,890	\$1,070	\$3,130	\$2,620
2	\$5,770	\$3,460	\$2,140	\$6,260	\$4,730
3	\$6,000	\$3,460	\$3,210	\$9,380	\$6,300
4	\$6,630	\$3,580	\$4,280	\$12,500	\$8,280

Prices, availability, and specifications subject to change without notice.



SM/SV ELECTRIC MODELS

Electric Defrost-Low Temperature

MODEL	LIST PRICE	CAPACITY (BTUH) @ 10°F TD		AIR FLOW (CFM)	DIMENSIONS (IN)			SHIP WGT. (LBS)
		@-20° SST	@+20° SST		L	W	H	
SM14E-384	\$8,350	38,400	40,300	9,690	77.00	38.50	40.50	440
SM15E-426	\$9,400	42,600	44,700	9,250	77.00	38.50	40.50	450
SM16E-440	\$9,950	44,000	46,300	8,810	77.00	38.50	40.50	470
SM14E-501	\$10,090	50,100	52,600	9,330	77.00	38.50	40.50	495
SM15E-556	\$10,550	55,600	58,400	8,900	77.00	38.50	40.50	505
SM16E-574	\$11,070	57,400	60,400	8,400	77.00	38.50	40.50	530
SM24E-759	\$15,100	75,900	79,700	19,380	134.25	38.50	40.50	836
SM25E-842	\$16,230	84,200	88,400	18,500	134.25	38.50	40.50	874
SM26E-869	\$17,340	86,900	91,500	17,600	134.25	38.50	40.50	912
SM24E-989	\$17,940	98,900	103,800	18,400	134.25	38.50	40.50	860
SM25E-1097	\$19,660	109,700	115,200	17,600	134.25	38.50	40.50	900
SM26E-1132	\$20,540	113,200	119,200	16,800	134.25	38.50	40.50	920
SM34E-1070	\$20,940	107,000	112,300	28,600	134.25	38.50	51.00	1,030
SM35E-1186	\$21,370	118,600	124,500	27,300	134.25	38.50	51.00	1,050
SM36E-1225	\$22,240	122,500	128,900	24,900	134.25	38.50	51.00	1,060
SM34E-1393	\$26,010	139,300	146,300	27,400	134.25	38.50	51.00	1,195
SM35E-1544	\$27,200	154,400	162,100	26,100	134.25	38.50	51.00	1,215
SM36E-1594	\$28,390	159,400	167,800	25,800	134.25	38.50	51.00	1,240
SM44E-1465	\$29,110	146,500	167,000	38,130	173.00	38.50	52.50	1,370
SM45E-1523	\$30,440	152,300	173,600	36,400	173.00	38.50	52.50	1,340
SM46E-1754	\$31,620	175,400	184,600	33,200	173.00	38.50	52.50	1,400
SM44E-1769	\$35,630	176,900	201,800	36,530	173.00	38.50	52.50	1,469
SM45E-1985	\$37,310	198,500	226,300	34,800	173.00	38.50	52.50	1,540
SM46E-2307	\$39,190	230,700	242,800	32,530	173.00	38.50	52.50	1,600

LOW TEMPERATURE ONLY - BELOW +30°F

MODEL	LIST PRICE	CAPACITY (BTUH) @ 10°F		AIR FLOW (CFM)	DIMENSIONS (IN)			SHIP WGT. (LBS)
		@-20° SST	@+20° SST		L	W	H	
SV14E-422	\$8,780	42,200	-	11250	77.00	38.50	40.50	440
SV15E-468	\$9,830	46,800	-	11125	77.00	38.50	40.50	450
SV16E-664	\$11,500	66,400	-	11000	77.00	38.50	40.50	530
SV14E-550	\$10,530	55,000	-	11250	77.00	38.50	40.50	495
SV15E-611	\$10,970	61,100	-	11125	77.00	38.50	40.50	505
SV16E-684	\$11,500	68,400	-	11000	77.00	38.50	40.50	540
SV24E-834	\$15,970	83,400	-	24225	134.25	38.50	40.50	836
SV25E-926	\$17,080	92,600	-	23125	134.25	38.50	40.50	874
SV26E-1005	\$18,200	100,500	-	22800	134.25	38.50	40.50	912
SV24E-1088	\$18,740	108,800	-	23000	134.25	38.50	40.50	860
SV25E-1206	\$20,520	120,600	-	22000	134.25	38.50	40.50	900
SV26E-1311	\$21,980	131,100	-	21550	134.25	38.50	40.50	920
SV34E-1177	\$22,240	117,700	-	35750	134.25	38.50	51.00	1,030
SV35E-1304	\$22,660	130,400	-	34125	134.25	38.50	51.00	1,050
SV36E-1418	\$23,520	141,800	-	33400	134.25	38.50	51.00	1,060
SV34E-1530	\$27,310	153,000	-	34250	134.25	38.50	51.00	1,195
SV35E-1698	\$28,490	169,800	-	32625	134.25	38.50	51.00	1,215
SV36E-1843	\$29,680	184,300	-	32000	134.25	38.50	51.00	1,240
SV44E-1699	\$30,840	169,900	-	47650	173.00	38.50	52.50	1,370
SV45E-1883	\$32,170	188,300	-	45500	173.00	38.50	52.50	1,340
SV46E-2047	\$33,350	204,700	-	44500	173.00	38.50	52.50	1,400
SV44E-2052	\$37,360	205,200	-	45650	173.00	38.50	52.50	1,469
SV45E-2274	\$39,030	227,400	-	43600	173.00	38.50	52.50	1,540
SV46E-2472	\$40,900	247,200	-	42700	173.00	38.50	52.50	1,600

**Insulated drain pan standard on EDL models
4 fan SM/SV for low temp requires two TEVs**

Prices, availability,
and specifications subject
to change without notice.



SM/SV GAS MODELS

Hot Gas Defrost - Medium Profile

Low Temperature

MODEL	LIST PRICE BY DEFROST TYP				CAPACITY (BTUH) @ 10° F TD		AIR FLOW (CFM)	DIMENSIONS (IN)			SHIP WGT. (LBS)
	(P)-KGE	(K)-KGG	(H)-HGE	(G)-HGG	@-20° SST	@+20° SST		L	W	H	
SM14()-384	\$9,410	\$9,950	\$8,540	\$9,060	38,400	40,300	9,690	77.00	38.50	40.50	440
SM15()-426	\$10,240	\$10,760	\$9,350	\$9,880	42,600	44,700	9,250	77.00	38.50	40.50	450
SM16()-440	\$10,840	\$11,400	\$9,880	\$10,410	44,000	46,300	8,810	77.00	38.50	40.50	470
SM14()-501	\$11,130	\$11,660	\$10,100	\$10,640	50,100	52,600	9,330	77.00	38.50	40.50	495
SM15()-556	\$11,530	\$12,080	\$10,510	\$11,040	55,600	58,400	8,900	77.00	38.50	40.50	505
SM16()-574	\$12,070	\$13,190	\$11,040	\$11,560	57,400	60,400	8,400	77.00	38.50	40.50	530
SM24()-759	\$16,620	\$17,540	\$15,580	\$16,510	75,900	79,700	19,380	134.25	38.50	40.50	836
SM25()-842	\$16,890	\$17,820	\$15,860	\$16,780	84,200	88,400	18,500	134.25	38.50	40.50	874
SM26()-869	\$17,600	\$20,400	\$17,790	\$18,730	86,900	91,500	17,600	134.25	38.50	40.50	912
SM24()-989	\$22,550	\$23,490	\$19,210	\$20,150	98,900	103,800	18,400	134.25	38.50	40.50	860
SM25()-1097	\$23,590	\$24,520	\$20,230	\$21,160	109,700	115,200	17,600	134.25	38.50	40.50	900
SM26()-1132	\$24,600	\$24,860	\$21,720	\$22,660	113,200	119,200	16,800	134.25	38.50	40.50	920
SM34()-1070	\$25,390	\$26,330	\$22,050	\$22,990	107,000	112,300	28,600	134.25	38.50	51.00	1,030
SM35()-1186	\$25,710	\$26,890	\$22,600	\$23,530	118,600	124,500	27,300	134.25	38.50	51.00	1,050
SM36()-1225	\$26,690	\$27,430	\$23,590	\$24,530	122,500	128,900	24,900	134.25	38.50	51.00	1,060
SM34()-1393	\$27,420	\$29,860	\$25,270	\$26,210	139,300	146,300	27,400	134.25	38.50	51.00	1,195
SM35()-1544	\$29,750	\$30,660	\$26,100	\$27,130	154,400	162,100	26,100	134.25	38.50	51.00	1,215
SM36()-1594	\$30,930	\$32,490	\$29,240	\$30,180	159,400	167,800	25,800	134.25	38.50	51.00	1,240
SM44()-1465	\$36,440	\$38,960	\$31,060	\$32,530	146,500	167,000	38,130	173.00	38.50	52.50	1,370
SM45()-1523	\$37,980	\$40,630	\$32,390	\$33,860	152,300	173,600	36,400	173.00	38.50	52.50	1,340
SM46()-1754	\$39,360	\$42,120	\$33,570	\$35,040	175,400	184,600	33,200	173.00	38.50	52.50	1,400
SM44()-1769	\$43,450	\$47,120	\$38,030	\$39,500	176,900	201,800	36,530	173.00	38.50	52.50	1,469
SM45()-1985	\$46,080	\$49,340	\$39,690	\$41,180	198,500	226,300	34,800	173.00	38.50	52.50	1,540
SM46()-2307	\$47,740	\$51,680	\$36,960	\$42,600	230,700	242,800	32,530	173.00	38.50	52.50	1,600

Available types of defrost

- (H)-HGE 3 Pipe Hot Gas with Electric Pan
- (G)-HGG 3 Pipe Hot Gas with Hot Gas Pan
- (P)-KGE 2 Pipe Kool gas with Electric Pan
- (K)-KGG 2 Pipe Kool Gas with Kool Gas Pan

Prices, availability, and specifications subject to change without notice.



Unit Cooler Accessories *

Heat Exchangers:

Condensing Unit HP	List Price	Freezer	Cooler	Model	Connections (Inches)	
					Liquid	Suction
1	\$160	6,500	11,300	HX-2	3/8	5/8
1.5	\$170	7,500	20,000	HX-3	3/8	7/8
2	\$190	10,000	25,000	HX-4	3/8	1-1/8
3	\$250	15,000	30,000	HX-5	1/2	1-1/8
5	\$310	25,000	65,000	HX-6	5/8	1-3/8
7.5	\$330	32,500	76,000	HX-7	5/8	1-5/8
10	\$560	61,200	90,000	HX-8	7/8	2-1/8
15	\$840	73,000	157,000	HX-15	7/8	2-1/8
20	\$900	93,000	211,200	HX-20	1-1/8	2-1/8
25	\$1,040	118,000	243,600	HX-25	1-1/8	2-5/8
30	\$1,060	141,000	322,800	HX-30	1-3/8	2-5/8
50	\$1,100	240,000	420,000	HX-35	1-3/8	2-5/8
60	\$1,240	280,000	500,000	HX-40	1-3/8	3-1/8

Expansion Valves:

R-22, R-404a, R-507 System Capacity	List Price	
	Loose	Mounted
2,000 - 18,000 BTUH	\$210	\$520
18,001 - 60,000 BTUH	\$240	\$520
60,001 - 200,000 BTUH	\$310	\$520
200,001 - 360,000 BTUH	\$490	\$520

Solenoid Valves: *

R-22, R-404a, R-507 System Capacity	List Price	
	Loose	Mounted
2,000 - 40,000 BTUH	\$250	\$690
40,001 - 200,000 BTUH	\$320	\$690
200,001 - 300,000 BTUH	\$440	\$690

* Specify Voltage

Control Options:

(Shipped Loose) Type	List Price
RT 1 (8 Ft Capillary)	\$220
RT 2 (2" Air-Coil)	\$220
RT 3 (Electronic)	\$220

Additional Headers:

MS & SM Evaporators	List Price
Face Split Coil (Includes Additional Distributor)	\$610

KR, GL, GH, LH, MK, MS, SM	List Price
HEAT RECLAIM / GLYCOL CIRCUITING	\$260

Miscellaneous Control Options:

	List Price
Adj. Defrost Termination (KR, MK, MV, MS)	\$430
Nema 4X Non-Fused Disconnect Switch (Mntd) (MK, MV, MS, SV, SM)	\$580
Allis valve	\$520
Air Sensor (CPC)- advise board pn	\$220

***Ship loose items pricing only available on factory orders, not from stock**

Prices, availability,
and specifications subject
to change without notice.

Levitor/Fluid Cooler Model Key

	L	A	V	A	-	1	2	4	12	M	
Unit Type	L-Levitor Condenser F-Fluid Cooler										Voltage
Tube Diameter	A-3/8 E-1/2										A-230/1/60** K - 208/230/3/60 M - 460/3/60 P - 575/3/60 U - 380/3/50
Fan Discharge Directions	H-Horizontal V-Vertical X-Hinged Vertical*** E-Hinged Horizontal***										Fin Spacing
Fan/Motor Combination	A-850 rpm, 1hp, 30" B-1140 rpm, 0.5 hp, 24" C-850 rpm, 1.5 hp, 30" E-575 rpm, 0.5 hp, 30" F-1140 rpm, 1.5 hp, 30"										Rows Deep
Fans Wide	1 2										Fans in Line
											2, 3, 4
											1, 2, 3, 4, 5, 6, 7*
											* 24" fan only/ B units only *** Levitor only



LAVB--LEVITOR II AIR COOLED CONDENSER

1/2H.P. 1140 RPM

MODEL	List Price	AIR FLOW	DIMENSIONS (IN)			SHIP WGT. (LBS)
		(CFM)	L	W	H	
One Fan Wide 24"						
11210	\$4,510	6,750	39.00	45.75	41.25	181
11310	\$4,800	6,400	39.00	45.75	41.25	185
11410	\$5,100	6,000	39.00	45.75	41.25	200
12210	\$6,300	13,500	75.00	45.75	41.25	352
12310	\$7,640	12,800	75.00	45.75	41.25	372
12410	\$8,620	12,000	75.00	45.75	41.25	400
13310	\$9,300	19,200	111.00	45.75	41.25	559
13410	\$11,700	18,000	111.00	45.75	41.25	600
14310	\$13,490	25,600	147.00	45.75	41.25	840
14410	\$13,790	24,000	147.00	45.75	41.25	900
15310	\$16,340	32,000	183.00	45.75	41.25	861
15410	\$18,280	30,000	183.00	45.75	41.25	950
16310	\$18,360	38,400	219.00	45.75	41.25	1,070
16410	\$21,280	36,000	219.00	45.75	41.25	1,150
17310	\$22,170	44,800	262.00	45.75	41.25	1,349
17410	\$26,090	42,000	262.00	45.75	41.25	1,450
Two Fan Wide						
22210	\$12,530	27,000	75.00	87.625	41.25	654
22310	\$15,210	25,600	75.00	87.625	41.25	865
22410	\$17,140	24,000	75.00	87.625	41.25	925
23310	\$18,490	38,400	111.00	87.625	41.25	1,118
23410	\$23,260	36,000	111.00	87.625	41.25	1,225
24310	\$26,840	51,200	147.00	87.625	41.25	1,705
24410	\$27,430	48,000	147.00	87.625	41.25	1,825
25310	\$32,500	64,000	183.00	87.625	41.25	1,722
25410	\$36,370	60,000	183.00	87.625	41.25	1,925
26310	\$36,530	76,800	219.00	87.625	41.25	2,095
26410	\$42,340	72,000	219.00	87.625	41.25	2,225
27310	\$44,120	89,600	255.00	87.625	41.25	2,725
27410	\$51,910	84,000	255.00	87.625	41.25	2,925

Coating and Special Fin Option Pricing

MODEL	Epoxy Electro-Fin or Heresite Fin			MODEL	Epoxy Electro-Fin or Heresite Fin		
	Copper Fin	Coating	Polyester Coating		Copper Fin	Coating	Polyester Coating
One Fan Wide 24"				Two Fan Wide			
11210	\$1,660	\$1,370	\$690	-	-	-	-
11310	\$1,760	\$1,500	\$730	-	-	-	-
11410	\$1,870	\$1,640	\$760	-	-	-	-
12210	\$2,320	\$2,620	\$950	22210	\$4,590	\$4,680	\$1,890
12310	\$2,800	\$3,160	\$1,150	22310	\$5,580	\$6,020	\$2,290
12410	\$3,160	\$3,120	\$1,300	22410	\$6,290	\$6,610	\$2,590
13310	\$3,420	\$4,160	\$1,410	23310	\$6,780	\$8,710	\$2,780
13410	\$4,290	\$4,520	\$1,770	23410	\$8,530	\$9,560	\$3,510
14310	\$4,940	\$5,450	\$2,030	24310	\$9,840	\$11,410	\$4,030
14410	\$5,060	\$5,920	\$2,070	24410	\$10,050	\$12,510	\$4,130
15310	\$5,990	\$6,740	\$2,460	25310	\$11,910	\$14,100	\$4,890
15410	\$6,700	\$7,310	\$2,750	25410	\$13,330	\$15,500	\$5,470
16310	\$6,730	\$8,030	\$2,760	26310	\$13,380	\$16,830	\$5,490
16410	\$7,810	\$8,730	\$3,200	26410	\$15,510	\$18,470	\$6,360
17310	\$8,120	\$9,310	\$3,340	27310	\$16,170	\$19,500	\$6,630
17410	\$9,570	\$10,120	\$3,920	27410	\$19,020	\$21,440	\$7,800

Prices, availability, and specifications subject to change without notice.

LAVA/C/E/F -- LEVITOR II AIR COOLED CONDENSER

LAVA/C/E/F --LEVITOR II AIR COOLED CONDENSER

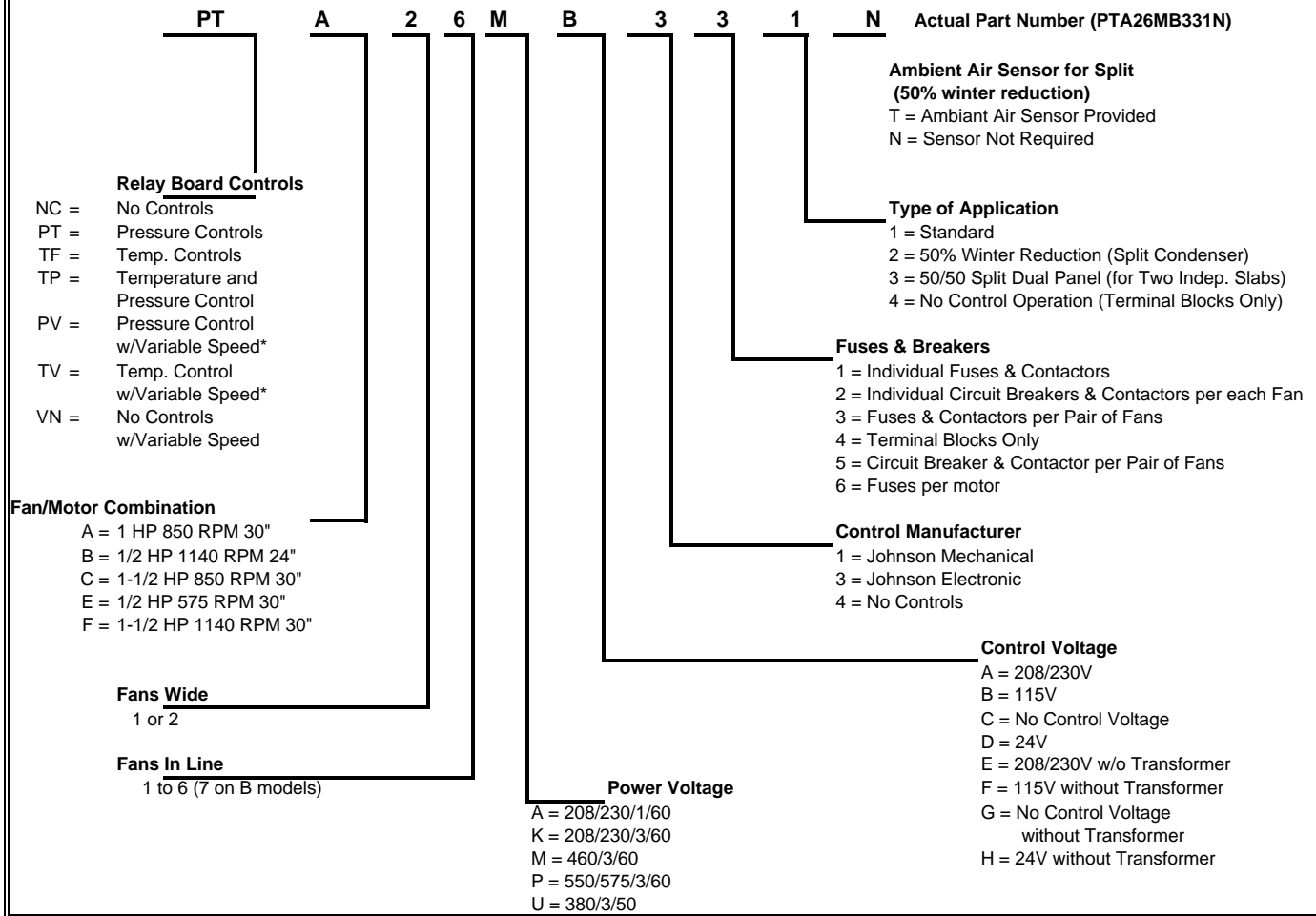


MODEL	List Price	DIMENSIONS (IN)			SHIP WGT. (LBS)
		L	W	H	
One Fan Wide 30"					
LAV* 11208	\$6,010	58.00	45.25	54.00	437
LAV* 11210	\$6,070	58.00	45.25	54.00	439
LAV* 11212	\$6,150	58.00	45.25	54.00	444
LAV* 11308	\$6,500	58.00	45.25	54.00	466
LAV* 11310	\$6,580	58.00	45.25	54.00	469
LAV* 11312	\$6,650	58.00	45.25	54.00	478
LAV* 11408	\$6,730	58.00	45.25	54.00	495
LAV* 11410	\$6,800	58.00	45.25	54.00	499
LAV* 11412	\$6,880	58.00	45.25	54.00	508
LAV* 12208	\$8,550	112.00	45.25	54.00	718
LAV* 12210	\$8,700	112.00	45.25	54.00	721
LAV* 12212	\$8,850	112.00	45.25	54.00	729
LAV* 12308	\$9,150	112.00	45.25	54.00	773
LAV* 12310	\$9,340	112.00	45.25	54.00	779
LAV* 12312	\$9,710	112.00	45.25	54.00	792
LAV* 12408	\$11,420	112.00	45.25	54.00	830
LAV* 12410	\$11,900	112.00	45.25	54.00	838
LAV* 12412	\$12,370	112.00	45.25	54.00	855
LAV* 13210	\$13,040	166.00	45.25	54.00	1,041
LAV* 13212	\$13,340	166.00	45.25	54.00	1,060
LAV* 13308	\$13,640	166.00	45.25	54.00	1,126
LAV* 13310	\$13,930	166.00	45.25	54.00	1,135
LAV* 13312	\$14,410	166.00	45.25	54.00	1,153
LAV* 13408	\$16,240	166.00	45.25	54.00	1,210
LAV* 13410	\$16,890	166.00	45.25	54.00	1,223
LAV* 13412	\$17,570	166.00	45.25	54.00	1,247
LAV* 14308	\$18,280	220.00	45.25	54.00	1,437
LAV* 14310	\$18,440	220.00	45.25	54.00	1,449
LAV* 14312	\$19,180	220.00	45.25	54.00	1,474
LAV* 14408	\$21,650	220.00	45.25	54.00	1,550
LAV* 14410	\$22,200	220.00	45.25	54.00	1,566
LAV* 14412	\$23,370	220.00	45.25	54.00	1,599
LAV* 15308	\$25,970	274.00	45.25	58.50	2,020
LAV* 15310	\$26,350	274.00	45.25	58.50	2,035
LAV* 15312	\$26,720	274.00	45.25	58.50	2,066
LAV* 15408	\$27,080	274.00	45.25	58.50	2,160
LAV* 15410	\$28,220	274.00	45.25	58.50	2,181
LAV* 15412	\$29,360	274.00	45.25	58.50	2,222
LEV* 16308	\$30,460	328.00	45.25	58.50	2,554
LEV* 16310	\$30,910	328.00	45.25	58.50	2,573
LEV* 16312	\$31,360	328.00	45.25	58.50	2,610
LEV* 16408	\$31,810	328.00	45.25	58.50	2,784
LEV* 16410	\$32,270	328.00	45.25	58.50	2,808
LEV* 16412	\$32,710	328.00	45.25	58.50	2,858

MODEL	List Price	DIMENSIONS (IN)			SHIP WGT. (LBS)
		L	W	H	
Two Fans Wide 30"					
LAV* 22208	\$17,000	112.00	90.50	54.00	1,311
LAV* 22210	\$17,300	112.00	90.50	54.00	1,320
LAV* 22212	\$17,600	112.00	90.50	54.00	1,336
LAV* 22308	\$18,190	112.00	90.50	54.00	1,437
LAV* 22310	\$18,570	112.00	90.50	54.00	1,425
LAV* 22312	\$19,310	112.00	90.50	54.00	1,462
LAV* 22408	\$22,710	112.00	90.50	54.00	1,539
LAV* 22410	\$23,670	112.00	90.50	54.00	1,555
LAV* 22412	\$24,600	112.00	90.50	54.00	1,588
LAV* 23210	\$25,940	166.00	90.50	54.00	1,875
LAV* 23212	\$26,540	166.00	90.50	54.00	1,912
LAV* 23308	\$27,130	166.00	90.50	54.00	2,044
LAV* 23310	\$27,700	166.00	90.50	54.00	2,063
LAV* 23312	\$28,680	166.00	90.50	54.00	2,100
LAV* 23408	\$32,760	166.00	90.50	54.00	2,214
LAV* 23410	\$33,610	166.00	90.50	54.00	2,238
LAV* 23412	\$34,950	166.00	90.50	54.00	2,287
LAV* 24308	\$36,370	220.00	90.50	54.00	2,526
LAV* 24310	\$36,700	220.00	90.50	54.00	2,651
LAV* 24312	\$38,130	220.00	90.50	54.00	2,700
LAV* 24408	\$43,070	220.00	90.50	54.00	2,851
LAV* 24410	\$44,150	220.00	90.50	54.00	2,884
LAV* 24412	\$46,490	220.00	90.50	54.00	2,950
LAV* 25308	\$51,660	274.00	90.50	58.50	3,725
LAV* 25310	\$52,420	274.00	90.50	58.50	3,755
LAV* 25312	\$53,160	274.00	90.50	58.50	3,817
LAV* 25408	\$53,880	274.00	90.50	58.50	4,005
LAV* 25410	\$56,130	274.00	90.50	58.50	4,046
LAV* 25412	\$58,410	274.00	90.50	58.50	4,129
LEV* 26308	\$60,620	328.00	90.50	58.50	4,759
LEV* 26310	\$61,500	328.00	90.50	58.50	4,796
LEV* 26312	\$62,400	328.00	90.50	58.50	4,870
LEV* 26408	\$63,300	328.00	90.50	58.50	5,218
LEV* 26410	\$64,190	328.00	90.50	58.50	5,268
LEV* 26412	\$65,080	328.00	90.50	58.50	5,366

Prices, availability,
and specifications subject
to change without notice.

LEVITOR II CONTROL PANEL NOMENCLATURE



* Variable Speed Header End fan(s)



LEVITOR II CONTROL PANELS

FAN CONFIGURATION	TF, PT, TP 311	TF, PT, TP 331	NC 411	NC 431
1 x 1	\$1,150		\$880	
1 x 2	\$1,640		\$1,110	
1 x 3	\$2,110		\$1,180	
1 x 4	\$2,590		\$1,530	
1 x 5	\$3,040		\$1,740	
1 x 6	\$3,490		\$1,920	
1 x 7	\$3,940		\$2,110	
2 x 2	\$2,490	\$1,770	\$1,980	\$1,240
2 x 3	\$3,320	\$2,240	\$2,540	\$1,460
2 x 4	\$4,140	\$2,700	\$3,100	\$1,670
2 x 5	\$4,940	\$3,170	\$3,610	\$1,870
2 x 6	\$5,710	\$3,610	\$4,150	\$2,050
2 x 7	\$6,500	\$4,050	\$4,680	\$2,240

Note: The heading of each column is the last 3 numbers in the Control Panel Nomenclature

Control Description:

Model 311

Individual Fuses & Cotnactors, plus Fan Cycling

Model 331

Fuses & Contactors per Pair of Fans, plus Fan Cycle Controls

Model 411

No Fan Cycle Controls, Individual Fuses and Contactors

Model 431

No Fan Cycle Controls, Fuses and Contactors per Pair of Fans

Options	Add \$
Option Particular	
50% Reduction Relay (2x Only)	\$260
50/50 Split (2x Only)	Two 1 x Panel
Phase Loss Monitor	\$980
Circuit Breakers: Per Breaker	\$400
NEMA Contactor: Per Contactor	\$350
Mounted Non-Fused Disconnect	\$1,640
Mounted Fused Disconnect (Less fuses)	\$1,830
PV, Variable Speed (1x Only)	\$1,390
PV, Variable Speed (2x Only)	\$2,340
Inverter Ready Motor (N/A on "B" or "E" units, or 575/3)	\$270
VFD Distribution Block	\$580
Control Circuit cutoff switch (115V)	\$290
(230V)	\$570
Drop Leg Transducer Tap w/ Transducer	\$1,420
Drop Leg Pressure Transducer Tap	\$290
Danfoss BP5 Ambient Temp Sensor w/ enclosure	\$570
Rochester liquid level guage w/ alarm circuit	\$2,600
Hot Gas Header	\$1,490
Rupture Disc Assembly	\$3,890
Relay Boards	
Ambiant Air Sensor	\$310
ALTECH	\$2,950
CPC-8RO RELAY BOARD	\$2,410
CPC MULTIFLEX 88 BOARD	\$2,870
DANFOSS RELAY BOARD AK2	\$2,410

NOTE: For panels without fuses, consult factory.
Contact factory for pricing of Electronic Controllers and Relay B



LEVITOR II OPTIONS

LEVITOR II AIR COOLED CONDENSERS

LEG OPTIONS * Except LAVB

FAN CONFIGURATION	15" LEGS	22" LEGS	30" LEGS	36" LEGS	42" LEGS	48" LEGS	60" LEGS
1 x 1	N/C	STD	\$170	\$170	\$170	\$1,280	\$1,850
1 x 2	N/C	STD	\$170	\$170	\$170	\$1,910	\$2,760
1 x 3	N/C	STD	\$170	\$170	\$170	\$2,560	\$3,680
1 x 4	N/C	STD	\$260	\$260	\$260	\$3,190	\$4,600
1 x 5	N/C	STD	\$340	\$340	\$350	\$3,810	\$5,510
1 x 6	N/C	STD	\$340	\$340	\$350	\$4,460	\$6,430
2 x 2	N/C	STD	\$170	\$170	\$170	\$1,910	\$2,760
2 x 3	N/C	STD	\$340	\$340	\$350	\$2,560	\$3,680
2 x 4	N/C	STD	\$260	\$260	\$260	\$3,190	\$4,600
2 x 5	N/C	STD	\$340	\$340	\$350	\$3,810	\$5,510
2 x 6	N/C	STD	\$340	\$340	\$350	\$4,460	\$6,430

LAVB comes w/18" legs only

Condenser with Factory Installed Receiver:

Includes flooding valve, isolation ball valves, liquid level indicator & relief valve

MODEL/CONDENSER SIZE	Size	RECEIVER LIST ADD	RECEIVER SIZE	HEATED AND INSULATED RECEIVER LIST ADD
LAVB	1x1	\$5,100	10.750" x 48"	\$1,280
	1x2	\$6,160	10.750" x 60"	\$1,630
	1x3	\$6,800	10.750" x 60"	\$1,630
	1x4	\$7,790	10.750" x 60"	\$1,790
	1x5	\$10,350	10.750" x 60"	\$1,950
	1x6	\$11,330	10.750" x 60"	\$1,950
	1x7	\$12,080	12.750" x 72"	\$1,950
LAVB 1 RECEIVER	2x2	\$8,350	(1) 10.750" x 60"	\$1,780
	2x3	\$9,210	(1) 10.750" x 60"	\$1,780
	2x4	\$11,050	(1) 12.750" x 72"	\$2,040
	2x5	\$14,010	(1) 12.750" x 72"	\$2,040
	2x6	\$15,290	(1) 12.750" x 72"	\$2,170
	2x7	\$17,200	(1) 12.750" x 72"	\$2,170
LAVB 2 RECEIVERS	2x2	\$11,080	(2) 10.750" x 60"	\$3,190
	2x3	\$12,230	(2) 10.750" x 60"	\$3,190
	2x4	\$14,010	(2) 10.750" x 60"	\$3,570
	2x5	\$18,600	(2) 10.750" x 60"	\$3,570
	2x6	\$20,380	(2) 10.750" x 60"	\$3,900
	2x7	\$21,650	(2) 12.750" x 72"	\$3,900
L.V()	1x1	\$7,640	10.750" x 60"	\$1,280
	1x2	\$8,090	10.750" x 60"	\$1,790
	1x3	\$9,720	10.750" x 60"	\$1,790
	1x4	\$11,330	10.750" x 60"	\$1,950
	1x5	\$12,960	12.750" x 72"	\$2,110
	1x6	\$14,580	12.750" x 72"	\$2,270
L.V() 1 RECEIVER	2x2	\$12,450	(1) 10.750" x 60"	\$1,950
	2x3	\$14,010	(1) 12.750" x 72"	\$2,110
	2x4	\$15,560	(1) 12.750" x 72"	\$2,110
	2x5	\$17,220	(1) 12.750" x 72"	\$2,270
	2x6	\$18,770	(1) 12.750" x 72"	\$2,440
L.V() 2 RECEIVERS	2x2	\$14,580	(2) 10.750" x 60"	\$3,240
	2x3	\$17,810	(2) 10.750" x 60"	\$3,570
	2x4	\$21,050	(2) 10.750" x 60"	\$3,900
	2x5	\$24,290	(2) 12.750" x 72"	\$4,220
	2x6	\$27,530	(2) 12.750" x 72"	\$4,540

A or E
() A, C, E, F

FAN CONFIGURATION	HINGED FAN PANEL	GRAVITY DAMPERS
1 x 1	\$350	\$670
1 x 2	\$710	\$1,330
1 x 3	\$1,060	\$2,000
1 x 4	\$1,420	\$2,660
1 x 5	\$1,770	\$3,330
1 x 6	\$2,130	\$4,000
1 x 7	\$2,480	\$4,660
2 x 2	\$1,420	\$2,660
2 x 3	\$2,130	\$4,000
2 x 4	\$2,840	\$5,330
2 x 5	\$3,550	\$6,660
2 x 6	\$4,260	\$7,990
2 x 7	\$4,970	\$9,330

Levitor Painted Housing Option

FAN CONFIGURATION	Painted Housing List Add
1 x 1	\$3,520
1 x 2	\$5,180
1 x 3	\$7,130
1 x 4	\$8,740
1 x 5	\$11,550
1 x 6	\$13,990
2 x 2	\$8,910
2 x 3	\$12,310
2 x 4	\$15,350
2 x 5	\$21,040
2 x 6	\$24,550

Levitor II Coating & Special Fin Option Pricing for all Models (EXCEPT B)							
Model	Single Wide Units			Double Wide Units			
	Epoxy Electro-Fin & Herisite Coating Adder	Polyester Fin Coating Adder	Copper Fin Adder	Model	Epoxy Electro-Fin Coating Adder	Polyester Fin Coating Adder	Copper Fin Adder
11208	\$2,340	\$830	\$2,210	-	-	-	-
11210	\$2,340	\$840	\$2,230	-	-	-	-
11212	\$2,340	\$850	\$2,260	-	-	-	-
11308	\$2,820	\$910	\$2,390	-	-	-	-
11310	\$2,820	\$920	\$2,420	-	-	-	-
11312	\$2,820	\$930	\$2,440	-	-	-	-
11408	\$3,110	\$940	\$2,470	-	-	-	-
11410	\$3,110	\$950	\$2,500	-	-	-	-
11412	\$3,110	\$960	\$2,530	-	-	-	-
12208	\$4,260	\$1,180	\$3,140	22208	\$8,500	\$2,350	\$6,240
12210	\$4,260	\$1,200	\$3,200	22210	\$8,500	\$2,390	\$6,340
12212	\$4,260	\$1,220	\$3,250	22212	\$8,500	\$2,420	\$6,450
12308	\$5,150	\$1,270	\$3,350	22308	\$10,280	\$2,510	\$6,670
12310	\$5,150	\$1,290	\$3,430	22310	\$10,280	\$2,560	\$6,810
12312	\$5,150	\$1,340	\$3,570	22312	\$10,280	\$2,670	\$7,080
12408	\$5,650	\$1,570	\$4,190	22408	\$11,290	\$3,130	\$8,330
12410	\$5,650	\$1,650	\$4,370	22410	\$11,290	\$3,260	\$8,680
12412	\$5,650	\$1,710	\$4,540	22412	\$11,290	\$3,390	\$9,010
13210	\$6,160	\$1,800	\$4,790	23210	\$12,310	\$3,570	\$9,500
13212	\$6,160	\$1,840	\$4,890	23212	\$12,310	\$3,650	\$9,730
13308	\$7,450	\$1,880	\$5,010	23308	\$14,890	\$3,740	\$9,950
13310	\$7,450	\$1,920	\$5,110	23310	\$14,890	\$3,810	\$10,160
13312	\$7,450	\$1,990	\$5,280	23312	\$14,890	\$3,950	\$10,510
13408	\$8,200	\$2,240	\$5,950	23408	\$16,380	\$4,510	\$12,000
13410	\$8,200	\$2,330	\$6,200	23410	\$16,380	\$4,630	\$12,320
13412	\$8,200	\$2,420	\$6,440	23412	\$16,380	\$4,810	\$12,810
14308	\$9,760	\$2,520	\$6,700	24308	\$19,510	\$5,010	\$13,330
14310	\$9,760	\$2,540	\$6,770	24310	\$19,510	\$5,050	\$13,450
14312	\$9,760	\$2,640	\$7,030	24312	\$19,510	\$5,250	\$13,980
14408	\$10,730	\$2,980	\$7,930	24408	\$21,460	\$5,920	\$15,780
14410	\$10,730	\$3,060	\$8,140	24410	\$21,460	\$6,080	\$16,180
14412	\$10,730	\$3,220	\$8,570	24412	\$21,460	\$6,400	\$17,040
15308	\$12,080	\$3,580	\$9,520	25308	\$24,140	\$7,110	\$18,940
15310	\$12,080	\$3,630	\$9,660	25310	\$24,140	\$7,210	\$19,210
15312	\$12,080	\$3,680	\$9,800	25312	\$24,140	\$7,310	\$19,480
15408	\$13,280	\$3,730	\$9,930	25408	\$26,550	\$7,410	\$19,740
15410	\$13,280	\$3,880	\$10,340	25410	\$26,550	\$7,720	\$20,570
15412	\$13,280	\$4,040	\$10,760	25412	\$26,550	\$8,030	\$21,410
16308	\$14,380	\$4,190	\$11,170	26308	\$28,750	\$8,340	\$22,210
16310	\$14,380	\$4,260	\$11,330	26310	\$28,750	\$8,450	\$22,540
16312	\$14,380	\$4,320	\$11,500	26312	\$28,750	\$8,580	\$22,860
16408	\$15,810	\$4,380	\$11,660	26408	\$31,610	\$8,710	\$23,200
16410	\$15,810	\$4,450	\$11,820	26410	\$31,610	\$8,820	\$23,520
16412	\$15,810	\$4,500	\$11,980	26412	\$31,610	\$8,950	\$23,840

Microchannel Model Key

Unit Type	MX	A	- 06	M
MX=Microchannel Condenser				Voltage
Fan/Motor Combination				K - 208/230/3/60 M - 460/3/60 P - 575/3/60
A-850 rpm, 1hp, 30"				
C-850 rpm, 1.5 hp, 30"				
E-575 rpm, 0.5 hp, 30"				
F-1140 rpm, 1.5 hp, 30"				
Number of Fans				
	02	10		
	04	12		
	06	14		
	08			



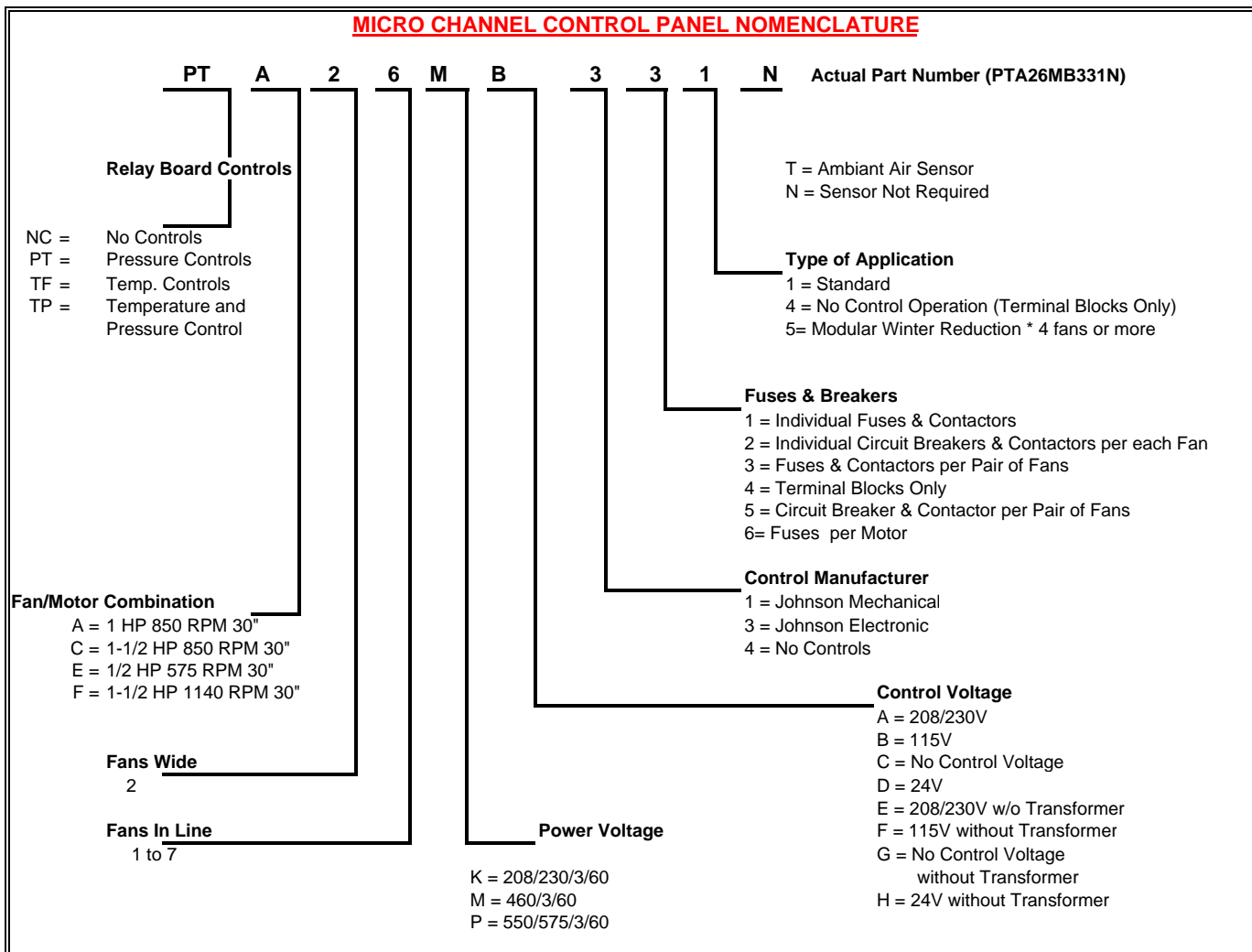
MX--MICRO CHANNEL AIR COOLED CONDENSER

MODEL	List Price	THR in MBH (000) @ 10°F		AIR FLOW		DIMENSIONS (IN)			SHIP WGT. (LBS)	REFRIGERANT CHARGE		
		TD R-404A	(CFM)	L	W	H*	SUMMER R-404A (LBS)	WINTER R-404A (LBS) -20 F*				
<u>1/2 HP, 575 RPM*</u>												
MXE-02	\$13,850	98.8	12,600	44.00	90.25	42.00	560	4	12			
MXE-04	\$25,230	197.5	25,200	88.00	90.25	42.00	1,170	15	26			
MXE-06	\$38,850	296.3	37,800	132.00	90.25	42.00	1,705	23	40			
MXE-08	\$49,820	395.0	50,400	176.00	90.25	42.00	2,280	40	55			
MXE-10	\$63,510	493.8	63,000	220.00	90.25	42.00	2,850	52	70			
MXE-12	\$79,780	592.5	75,600	264.00	90.25	42.00	3,385	80	88			
MXE-14	\$96,050	691.3	88,200	308.00	90.25	42.00	3,920	108	106			
<u>1 HP, 850 RPM</u>												
MXA-02	\$13,850	145.2	20,800	44.00	90.25	42.00	560	4	12			
MXA-04	\$25,230	290.3	41,600	88.00	90.25	42.00	1,170	15	26			
MXA-06	\$38,850	435.5	62,400	132.00	90.25	42.00	1,705	23	40			
MXA-08	\$49,820	580.7	83,200	176.00	90.25	42.00	2,280	40	55			
MXA-10	\$63,510	725.8	104,000	220.00	90.25	42.00	2,850	52	70			
MXA-12	\$79,780	871.0	124,800	264.00	90.25	42.00	3,385	80	88			
MXA-14	\$96,050	1,016.2	145,600	308.00	90.25	42.00	3,920	108	106			
<u>1 1/2 HP, 850 RPM</u>												
MXC-02	\$13,850	151.8	22,830	44.00	90.25	42.00	560	4	12			
MXC-04	\$25,230	303.5	45,660	88.00	90.25	42.00	1,170	15	26			
MXC-06	\$38,850	455.3	68,490	132.00	90.25	42.00	1,705	23	40			
MXC-08	\$49,820	607.1	91,320	176.00	90.25	42.00	2,280	40	55			
MXC-10	\$63,510	758.8	114,150	220.00	90.25	42.00	2,850	52	70			
MXC-12	\$79,780	910.6	136,980	264.00	90.25	42.00	3,385	80	88			
MXC-14	\$96,050	1,062.4	159,010	308.00	90.25	42.00	3,920	108	106			
<u>1 1/2 HP, 1140 RPM</u>												
MXF-02	\$13,850	154.5	25,600	44.00	90.25	42.00	560	4	12			
MXF-04	\$25,230	308.9	51,200	88.00	90.25	42.00	1,170	15	26			
MXF-06	\$38,850	463.4	76,800	132.00	90.25	42.00	1,705	23	40			
MXF-08	\$49,820	617.8	102,400	176.00	90.25	42.00	2,280	40	55			
MXF-10	\$63,510	772.3	128,000	220.00	90.25	42.00	2,850	52	70			
MXF-12	\$79,780	926.7	153,600	264.00	90.25	42.00	3,385	80	88			
MXF-14	\$96,050	1,081.2	179,200	308.00	90.25	42.00	3,920	108	106			

***Note:**

*Inverter ready motors not available on 575 rpm
 Add 22" to height when ship loose legs are required
 Winter Flooding charge doesn't reflect module isolation valves
 Mounted receivers add 18" to height*

MICRO CHANNEL CONTROL PANEL NOMENCLATURE





MX--MICRO CHANNEL CONTROL PANELS

Model #	TF, PT, TP 311	TF, PT, TP 331	NC 411	NC 431	TF,PT,TP 315	TF,PT,TP 335	NC 415	NC 435	NC 445
02	\$1,640		\$1,110						
04	\$2,490	\$1,770	\$1,980	\$1,240	\$3,530	\$2,810	\$3,010	\$2,280	\$1,040
06	\$3,320	\$2,240	\$2,540	\$1,460	\$4,930	\$3,850	\$3,580	\$3,080	\$1,620
08	\$4,140	\$2,700	\$3,100	\$1,670	\$6,330	\$4,890	\$4,140	\$3,860	\$2,190
10	\$4,940	\$3,170	\$3,610	\$1,870	\$7,700	\$5,930	\$4,650	\$4,630	\$2,760
12	\$5,710	\$3,610	\$4,150	\$2,050	\$9,050	\$6,950	\$5,190	\$5,390	\$3,340
14	\$6,490	\$4,060	\$4,680	\$2,240	\$10,400	\$7,980	\$5,720	\$6,150	\$3,910

NOTE: The heading of each column is the last 3 numbers in the Control Panel Nomenclature

Control Description

Model 311

Individual Fuses & Contactors, plus Fan Cycling

Model 331

Fuses & Contactors per Pair of Fans, plus Fan Cycle Controls

Model 411

No Fan Cycle Controls, Individual Fuses and Contactors

Model 431

No Fan Cycle Controls, Fuses and Contactors per Pair of Fans

Model 315

Individual Fuses & Contactors, plus Fan Cycling
Winter Isolation Valves

Model 335

Fuses & Contactors per Pair of Fans, plus Fan Cycle Controls
Winter Isolation Valves

Model 415

Individual Fuses & Contactors
Winter Isolation Valves

Model 435

Fuses & Contactors per Pair of Fans,
Winter Isolation Valves

Model 465

Individual Fuses, plus
Winter Isolation Valves

Model 444 (std.)

Motors wired to terminal blocks

Model 445

Motors wired to terminal blocks plus winter isolation valves

Options

Option Particular

Phase Loss Monitor
Circuit Breakers: Per Breaker
NEMA Contactor: Per Contactor
Mounted Non-Fused Disconnect
Inverter Ready Motor (MXA, MXC, MXF Model:

Add

\$980
\$400
\$350
\$1,640
std

Relay Boards

Backup T-Stat
ALTECH
CPC-8RO RELAY BOARD
CPC MULTIFLEX 88 BOARD
DANFOSS RELAY BOARD AK 2

Add

\$310
\$2,950
\$2,410
\$2,870
\$2,410

**NOTE: For panels without fuses, consult factory.
Contact factory for pricing of Electronic Controllers and Relay Boards**

*Prices, availability,
and specifications subject
to change without notice.*



MX--MICRO CHANNEL OPTIONS

MICRO CHANNEL AIR COOLED CONDENSERS

CONDENSER WITH FACTORY INSTALLED RECEIVER INDICATOR AND RELIEF VALVE

Liquid Level	Size	RECEIVER LIST ADD	RECEIVER SIZE	HEATED AND INSULTATED RECEIVER LIST ADD
MX 1 RECEIVER	2x2	\$12,450	(1) 10.750" x 60"	\$1,950
	2x3	\$14,010	(1) 12.750" x 72"	\$2,110
	2x4	\$15,560	(1) 12.750" x 72"	\$2,110
	2x5	\$17,220	(1) 12.750" x 72"	\$2,270
	2x6	\$18,770	(1) 12.750" x 72"	\$2,440
MX 2 RECEIVERS	2x3	\$17,810	(2) 10.750" x 60"	\$3,570
	2x4	\$21,050	(2) 10.750" x 60"	\$3,900
	2x5	\$24,290	(2) 12.750" x 72"	\$4,220
	2x6	\$27,530	(2) 12.750" x 72"	\$4,540

Additional Options:

Coil Filter \$1,750 per module

Electro-fin Coil \$3,060 per module



FAVB--FLUID COOLERS

MODEL	List Price	AIR FLOW (CFM)	Internal Volume (Gal)	DIMENSIONS (IN)			SHIP WGT. (LBS)	Epoxy Electro-Fin or	
				L	W	H		Heresite Coating	Polyester Coating
One Fan Wide 24"									
11210	\$4,510	6,750	1.4	39.00	45.75	41.25	181	\$1,370	\$690
11310	\$4,800	6,400	1.9	39.00	45.75	41.25	185	\$1,500	\$730
11410	\$5,100	6,000	2.5	39.00	45.75	41.25	200	\$1,640	\$790
12210	\$6,300	13,500	2.4	75.00	45.75	41.25	352	\$2,620	\$950
12310	\$7,640	12,800	3.4	75.00	45.75	41.25	372	\$3,160	\$1,150
12410	\$8,620	12,000	4.4	75.00	45.75	41.25	400	\$3,120	\$1,300
13310	\$9,300	19,200	5.2	111.00	45.75	41.25	559	\$4,160	\$1,410
13410	\$11,700	18,000	6.4	111.00	45.75	41.25	600	\$4,520	\$1,770
14310	\$13,490	25,600	6.6	147.00	45.75	41.25	840	\$5,450	\$2,030
14410	\$13,790	24,000	8.2	147.00	45.75	41.25	900	\$5,920	\$2,070
15310	\$16,340	32,000	8.5	183.00	45.75	41.25	861	\$6,740	\$2,460
15410	\$18,280	30,000	10.1	183.00	45.75	41.25	950	\$7,310	\$2,750
16310	\$18,360	38,400	11.0	219.00	45.75	41.25	1,070	\$8,030	\$2,760
16410	\$21,280	36,000	12.0	219.00	45.75	41.25	1,150	\$8,730	\$3,200
17310	\$22,170	44,800	13.0	262.00	45.75	41.25	1,349	\$9,310	\$3,340
17410	\$26,090	42,000	13.9	262.00	45.75	41.25	1,450	\$10,120	\$3,920
Two Fan Wide									
22210	\$12,530	27,000	4.8	75.00	87.63	41.25	654	\$4,970	\$1,890
22310	\$15,210	25,600	6.8	75.00	87.63	41.25	865	\$6,020	\$2,280
22410	\$17,140	24,000	8.5	75.00	87.63	41.25	925	\$6,610	\$2,580
23310	\$18,490	38,400	10.4	111.00	87.63	41.25	1,118	\$8,710	\$2,780
23410	\$23,260	36,000	12.3	111.00	87.63	41.25	1,225	\$9,560	\$3,510
24310	\$26,840	51,200	13.2	147.00	87.63	41.25	1,705	\$11,410	\$4,030
24410	\$27,430	48,000	16.1	147.00	87.63	41.25	1,825	\$12,510	\$4,130
25310	\$32,500	64,000	17.0	183.00	87.63	41.25	1,722	\$14,100	\$4,880
25410	\$36,370	60,000	19.9	183.00	87.63	41.25	1,925	\$15,500	\$5,470
26310	\$36,530	76,800	22.0	219.00	87.63	41.25	2,095	\$16,830	\$5,490
26410	\$42,340	72,000	23.8	219.00	87.63	41.25	2,225	\$18,470	\$6,360
27310	\$44,120	89,600	26.0	255.00	87.63	41.25	2,725	\$19,500	\$6,630
27410	\$51,910	84,000	27.5	255.00	87.63	41.25	2,925	\$21,440	\$7,800

Note:
Prices for Horizontal and Vertical air flow are the same

Prices, availability,
and specifications subject
to change without notice.



FEVE, FEVA, FEVF, FEVC--FLUID COOLERS

MODEL	List Price	Internal Volume (Gal)	DIMENSIONS (IN)			SHIP WGT. (LBS)	Epoxy Electro-Fin or Heresite Polyester Coating	
			L	W	H		Coating	Coating
One Fan Wide 30"								
11208	\$6,120	3.5	58.00	45.25	54.00	447	\$2,560	\$910
11210	\$6,190	3.6	58.00	45.25	54.00	449	\$2,560	\$920
11212	\$6,270	3.7	58.00	45.25	54.00	454	\$2,560	\$930
11308	\$6,630	5.0	58.00	45.25	54.00	481	\$3,080	\$990
11310	\$6,690	5.2	58.00	45.25	54.00	484	\$3,080	\$1,000
11312	\$6,780	5.3	58.00	45.25	54.00	493	\$3,080	\$1,020
11408	\$6,850	6.5	58.00	45.25	54.00	515	\$3,400	\$1,030
11410	\$6,920	6.7	58.00	45.25	54.00	519	\$3,400	\$1,040
11412	\$7,010	6.9	58.00	45.25	54.00	528	\$3,400	\$1,050
12208	\$8,710	6.4	112.00	45.25	54.00	738	\$4,650	\$1,290
12210	\$8,860	6.5	112.00	45.25	54.00	741	\$4,650	\$1,310
12212	\$9,010	6.6	112.00	45.25	54.00	749	\$4,650	\$1,330
12308	\$9,310	9.5	112.00	45.25	54.00	803	\$5,620	\$1,390
12310	\$9,510	9.6	112.00	45.25	54.00	809	\$5,620	\$1,410
12312	\$9,880	9.7	112.00	45.25	54.00	822	\$5,620	\$1,460
12408	\$11,640	16.4	112.00	45.25	54.00	870	\$6,170	\$1,710
12410	\$12,120	16.5	112.00	45.25	54.00	878	\$6,170	\$1,800
12412	\$12,600	16.6	112.00	45.25	54.00	895	\$6,170	\$1,870
13208	\$13,140	9.4	166.00	45.25	54.00	1,050	\$6,730	\$1,940
13210	\$13,280	9.5	166.00	45.25	54.00	1,071	\$6,730	\$1,970
13212	\$13,580	9.6	166.00	45.25	54.00	1,090	\$6,730	\$2,010
13308	\$13,890	13.7	166.00	45.25	54.00	1,156	\$8,140	\$2,050
13310	\$14,190	13.9	166.00	45.25	54.00	1,180	\$8,140	\$2,100
13312	\$14,690	14.1	166.00	45.25	54.00	1,198	\$8,140	\$2,170
13408	\$16,530	18.3	166.00	45.25	54.00	1,255	\$8,950	\$2,450
13410	\$17,210	18.5	166.00	45.25	54.00	1,283	\$8,950	\$2,540
13412	\$17,890	18.7	166.00	45.25	54.00	1,307	\$8,950	\$2,640
14308	\$18,620	18.2	220.00	45.25	54.00	1,497	\$10,660	\$2,750
14310	\$18,790	18.4	220.00	45.25	54.00	1,509	\$10,660	\$2,770
14312	\$19,520	18.6	220.00	45.25	54.00	1,534	\$10,660	\$2,880
14408	\$22,050	24.0	220.00	45.25	54.00	1,610	\$11,720	\$3,250
14410	\$22,600	24.3	220.00	45.25	54.00	1,643	\$11,720	\$3,340
14412	\$23,810	24.6	220.00	45.25	54.00	1,676	\$11,720	\$3,520
15308	\$26,460	22.5	274.00	45.25	58.50	2,097	\$13,190	\$3,910
15310	\$26,840	22.7	274.00	45.25	58.50	2,106	\$13,190	\$3,960
15312	\$27,220	22.9	274.00	45.25	58.50	2,137	\$13,190	\$4,020
15408	\$27,570	30.2	274.00	45.25	58.50	2,231	\$14,500	\$4,070
15410	\$28,730	30.3	274.00	45.25	58.50	2,276	\$14,500	\$4,240
15412	\$29,900	30.5	274.00	45.25	58.50	2,317	\$14,500	\$4,410
16308	\$30,460	27.0	328.00	45.25	58.50	2,649	\$15,700	\$4,580
16310	\$30,910	27.2	328.00	45.25	58.50	2,573	\$15,700	\$4,650
16312	\$31,360	27.4	328.00	45.25	58.50	2,610	\$15,700	\$4,720
16408	\$31,810	35.7	328.00	45.25	58.50	2,784	\$17,260	\$4,780
16410	\$32,270	36.0	328.00	45.25	58.50	2,808	\$17,260	\$4,860
16412	\$32,710	36.4	328.00	45.25	58.50	2,858	\$17,260	\$4,910

MODEL	List Price	Internal Volume (Gal)	DIMENSIONS (IN)			SHIP WGT. (LBS)	Epoxy Electro-Fin or Heresite Polyester Coating	
			L	W	H		Coating	Coating
Two Fans Wide 30"								
22208	\$17,310	12.4	112.00	90.50	54.00	1,351	\$9,280	\$2,570
22210	\$17,610	12.6	112.00	90.50	54.00	1,360	\$9,280	\$2,610
22212	\$17,920	12.8	112.00	90.50	54.00	1,376	\$9,280	\$2,640
22308	\$18,520	18.7	112.00	90.50	54.00	1,497	\$11,230	\$2,740
22310	\$18,920	18.9	112.00	90.50	54.00	1,485	\$11,230	\$2,800
22312	\$19,650	19.1	112.00	90.50	54.00	1,522	\$11,230	\$2,920
22408	\$23,140	24.8	112.00	90.50	54.00	1,619	\$12,330	\$3,420
22410	\$24,100	25.0	112.00	90.50	54.00	1,635	\$12,330	\$3,560
22412	\$25,050	25.3	112.00	90.50	54.00	1,668	\$12,330	\$3,700
23208	\$26,260	18.3	166.00	90.50	54.00	1,920	\$13,440	\$3,940
23210	\$26,420	18.5	166.00	90.50	54.00	1,935	\$13,440	\$3,900
23212	\$27,030	18.7	166.00	90.50	54.00	1,972	\$13,440	\$3,990
23308	\$27,640	27.4	166.00	90.50	54.00	2,134	\$16,260	\$4,080
23310	\$28,220	27.7	166.00	90.50	54.00	2,153	\$16,260	\$4,160
23312	\$29,210	27.9	166.00	90.50	54.00	2,190	\$16,260	\$4,310
23408	\$33,370	36.7	166.00	90.50	54.00	2,331	\$17,890	\$4,920
23410	\$34,220	36.9	166.00	90.50	54.00	2,355	\$17,890	\$5,060
23412	\$35,600	37.1	166.00	90.50	54.00	2,404	\$17,890	\$5,250
24308	\$37,040	36.3	220.00	90.50	54.00	2,641	\$21,300	\$5,470
24310	\$37,380	36.5	220.00	90.50	54.00	2,766	\$21,300	\$5,510
24312	\$38,840	36.7	220.00	90.50	54.00	2,815	\$21,300	\$5,730
24408	\$43,870	48.4	220.00	90.50	54.00	3,004	\$23,430	\$6,460
24410	\$44,970	48.6	220.00	90.50	54.00	3,037	\$23,430	\$6,640
24412	\$47,360	48.8	220.00	90.50	54.00	3,103	\$23,430	\$6,990
25308	\$52,620	45.2	274.00	90.50	58.50	3,868	\$26,360	\$7,760
25310	\$53,390	45.4	274.00	90.50	58.50	3,898	\$26,360	\$7,870
25312	\$54,140	45.6	274.00	90.50	58.50	3,960	\$26,360	\$7,980
25408	\$54,880	60.3	274.00	90.50	58.50	4,195	\$28,990	\$8,090
25410	\$57,180	60.5	274.00	90.50	58.50	4,236	\$28,990	\$8,430
25412	\$59,500	60.7	274.00	90.50	58.50	4,319	\$28,990	\$8,770
26308	\$60,620	54.2	328.00	90.50	58.50	4,759	\$31,400	\$9,110
26310	\$61,500	54.4	328.00	90.50	58.50	4,796	\$31,400	\$9,230
26312	\$62,400	54.6	328.00	90.50	58.50	4,870	\$31,400	\$9,370
26408	\$63,300	72.1	328.00	90.50	58.50	5,218	\$34,520	\$9,510
26410	\$64,190	72.3	328.00	90.50	58.50	5,268	\$34,520	\$9,630
26412	\$65,080	72.5	328.00	90.50	58.50	5,366	\$34,520	\$9,770

Prices, availability, and specifications subject to change without notice.



Fluid Cooler Options

Leg Options (30" Fan Units)

FAN CONFIGURATION	42" LEGS	HINGED	
		FAN PANEL	GRAVITY DAMPERS
1 x 1	\$170	\$350	\$670
1 x 2	\$170	\$710	\$1,330
1 x 3	\$170	\$1,000	\$2,000
1 x 4	\$260	\$1,420	\$2,660
1 x 5	\$260	\$1,770	\$3,330
1 x 6	\$340	\$2,130	\$4,000
1 X7	\$340	\$2,480	\$4,660
2 x 2	\$170	\$1,420	\$2,660
2 x 3	\$170	\$2,130	\$4,000
2 x 4	\$260	\$2,840	\$5,330
2 x 5	\$260	\$3,550	\$6,660
2 x 6	\$340	\$4,260	\$7,990
2 X 7	\$340	\$4,970	\$9,330

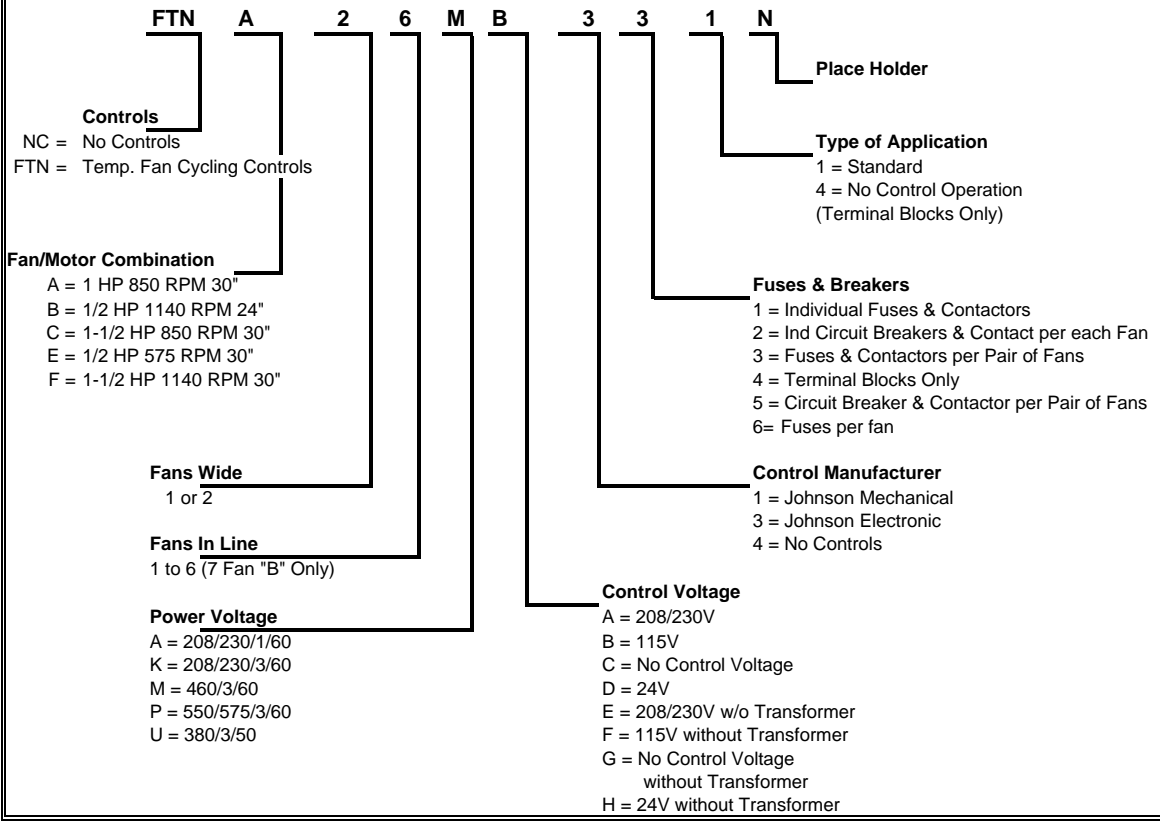
150# Flanged Connections:

Inline up to 2.5"	\$570
Inline 3"	\$630
Inline 4"	\$690
Double-Wide up to 2.5"	\$1,150
Double-Wide 3"	\$1,260
Double-Wide 4"	\$1,380

Double-Wide Unit Mainfold Kits:

Flow Rates 80 to 200 GPM	\$2,870	3.125 ODS or 3 MPT
Flow Rates 201 to 320 GPM	\$4,430	4.125 ODS or 4 MPT

FLUID COOLER CONTROL PANEL NOMENCLATURE





Fluid Cooler Control Panels & Electrical Information

FAN CONFIGU	FTN 311	FTN 331	NC 411	NC431
1 x 1	\$1,150		\$880	
1 x 2	\$1,640		\$1,110	
1 x 3	\$2,110		\$1,180	
1 x 4	\$2,590		\$1,530	
1 x 5	\$3,040		\$1,740	
1 x 6	\$3,490		\$1,920	
1 x 7	\$3,940		\$2,110	
2 x 2	\$2,490	\$1,770	\$1,980	\$1,240
2 x 3	\$3,320	\$2,240	\$2,540	\$1,460
2 x 4	\$4,140	\$2,700	\$3,100	\$1,670
2 x 5	\$4,940	\$3,170	\$3,610	\$1,870
2 x 6	\$5,710	\$3,610	\$4,150	\$2,050
2 x 7	\$6,500	\$4,050	\$4,680	\$2,240

NOTE: The heading of each column is the last 3 numbers in the Control Panel Nomenclature

Control Description

Model 311

Individual Fuses & Cotnactors, plus Fan Cycling

Model 331

Fuses & Contactors per Pair of Fans, plus Fan Cycle Controls

Model 411

No Fan Cycle Controls, Individual Fuses and Contactors

Model 431

No Fan Cycle Controls, Fuses and Contactors per Pair of Fans

Options

Add

Option Particular	Add
Circuit Breakers: Per Breaker	\$400
NEMA Contactor: Per Contactor	\$350
Phase Loss Monitor	\$980

Inverter Ready Motor (FEVA, FEVC & FEVF only)	\$270
NEMA 4 Enclosure w/Fan Cycling:	\$1,830
NEMA 4 Enclosure w/Terminal Blocks:	\$620
NEMA 4X Enclosure 24" Fan Units:	\$1,150
NEMA 4X Enclosure 30" Fan Units:	\$3,050
Mounted Non-Fused Disconnect:	\$1,640

TEAO, ATO MOTORS:	
24" Fan Units	Standard
Std. 1HP 30" Fan Units	c/f
Std. 1.5HP 30" Fan Units	\$1,210

BLOW-THRU UNIT CONFIGURATION:	
24" Fan Units	c/f
Std. 1HP 30" Fan Units	c/f
Std. 1.5HP 30" Fan Units	c/f

Prices, availability, and specifications subject to change without notice.



H-SERIES MODEL KEY

H Series Model Key												
Name	H	#	#	R	- 030	0	M	V	K	* C	- A	
Type												Receiver Size
N - Indoor												A - 6" x 12"
T - Outdoor												B - 6" x 18"
R - Remote												C - 6" x 23"
S - Satellite												D - 6" x 30"
Base												E - 8-5/8" x 30"
S - Standard												F - 10-3/4" x 30"
H - Heavy Duty												G - 10-3/4" x 38"
Compressor Vendor												H - 12-3/4" x 30"
D - Copeland Discus												X - No Receiver
H - Copeland Hermetic												M - 5" x 12"
R - IR Impact Standard												O - 6" x 12"
S - Copeland Semi-Hermetic												N - 6" x 15"
Z - Copeland Scroll												P - 6" x 36"
T - Tecumseh Hermetic												Voltage
X - Tecumseh Scroll												D - 208-230V / 1 Ph / 60 Hz
Compressor Horsepower												K - 208-230V / 3 Ph / 60 Hz
005 - 1/2 HP												M - 460V / 3 Ph / 60 Hz
030 - 3 HP												P - 575V / 3 Ph / 60 Hz
100 - 10 HP												U - 380V / 3 Ph / 50 Hz
Alternative												Refrigerant
0 - Basic												S - R404a
1 - First Alternative												V - R22
2 - Second Alternative												P - R507
3 - Third Alternative												Temperature Range
												H - High (Max Evap Temp = +45 F)
												M - Medium (Max Evap Temp = +35 F)
												E - Extended Medium (-25 F to +25 F)
												L - Low (Max Evap Temp = +0 F)

* = Condenser size



HTST-SERIES CONDENSING UNIT

MODEL	COMPRES MODEL	List Price					@ 95°F Ambient MBH		TECHNICAL SPECIFICAT			SHIPPING WGT.(LBS)
		Voltage		Defrost Timer Deduct*	Electrofin Coated Coil*	Optional 4-Year Extended Compressor Warranty	@ +25°F SST	20°F SST	Cabinet	Receiver	connectio	
		208/230V/1PH	208/230V/3PH						Size	Size	Liquid	
		D	K									
High Temp R-22												
HTST-0050HV	AKA9455E	\$3,815		(\$370)	\$1,740	\$550	6.70	-	Small	M	1/4"	325
HTST-0070HV	AKA9462E	\$3,825		(\$370)	\$1,740	\$550	7.80	-	Small	M	1/4"	325
HTST-0090HV	AJA9484E	\$3,905		(\$370)	\$1,780	\$550	8.90	-	Small	O	1/4"	335
HTST-0100HV	AWG5519E	\$4,115		(\$370)	\$1,880	\$550	11.60	-	Small	O	3/8"	350
HTST-0150HV	AWG5524E	\$4,175	\$4,405	(\$370)	\$2,030	\$550	15.70	-	Medium	N	3/8"	385
HTST-0200HV	AWG5542E	\$4,485	\$4,755	(\$370)	\$2,210	\$680	16.70	-	Medium	N	3/8"	385
HTST-0240HV	AWG5530E	\$4,835	\$4,995	(\$370)	\$2,330	\$680	19.90	-	Medium	N	3/8"	385
HTST-0300HV	AVA5542E	\$4,985	\$5,175	(\$370)	\$2,420	\$680	29.40	-	Medium	N	3/8"	385
HTST-0350HV	AVA5546E	\$6,055	\$6,645	(\$370)	\$3,150	\$680	31.70	-	Large	P	1/2"	385
HTST-0450HV	AGA5553E	\$7,335	\$7,395	(\$370)	\$3,530	\$680	36.80	-	Large	P	1/2"	440
HTST-0600HV	AGA5561E	\$8,135	\$8,335	(\$370)	\$3,990	\$680	43.10	-	Large	P	1/2"	463 403
Medium Temp R-404A												
HTST-0070MS	AKA9455Z	\$4,285		(\$370)	\$1,970	\$550	7.20	-	Small	M	1/4"	
HTST-0100MS	AWA9490Z	\$4,415	\$4,425	(\$370)	\$2,040	\$550	12.20	-	Medium	N	3/8"	325
HTST-0110MS	AWA9490Z	\$4,485		(\$370)	\$2,070	\$550	13.10	-	Medium	N	3/8"	385
HTST-0160MS	AWA9512Z	\$4,515	\$4,585	(\$370)	\$2,120	\$550	14.70	-	Medium	N	3/8"	385
HTST-0240MS	AVA9522Z	\$4,605	\$4,855	(\$370)	\$2,260	\$680	25.50	-	Medium	N	3/8"	385
HTST-0350MS	AVA9528Z	\$5,655	\$5,755	(\$370)	\$2,710	\$680	35.80	-	Large	P	1/2"	385
HTST-0410MS	AGA9534Z	\$7,605	\$8,235	(\$370)	\$3,940	\$680	43.70	-	Large	P	1/2"	440 403
Low Temp R-404A												
HTST-0050LS	AJA2419Z	\$4,235		(\$370)	\$1,950	\$550	-	1.70	Small	M	1/4"	
HTST-0060LS	AJA2425Z	\$4,215		(\$370)	\$1,940	\$550	-	2.40	Small	M	1/4"	335
HTST-0070LS	AWA2440Z	\$4,285		(\$370)	\$1,970	\$550	-	3.20	Small	M	3/8"	335
HTST-0150LS	AWA2460Z	\$4,355	\$4,505	(\$370)	\$2,080	\$550	-	5.90	Medium	N	3/8"	350
HTST-0200LS	AVA2490Z	\$4,565	\$4,735	(\$370)	\$2,200	\$680	-	8.40	Medium	N	3/8"	385
HTST-0300LS	AVA2512Z	\$5,135	\$5,395	(\$370)	\$2,530	\$680	-	10.10	Medium	N	3/8"	400

*Stock units include timers, any optional features will require a factory order at lead time

OPTIONS:

Subcooling not available on HTST models

Cabinet Size

	L	W	H
Small	34.620	28.730	26.540
Medium	40.670	32.350	26.540
Large	54.00	36.350	31.040

Receiver Size and Capacity*

Receiver Size	Capacity - 90% Full		Heated and Insulated List Price
	R-22(Lbs)	R-404A (Lbs)	
M 5 x 12	8.4	7.9	\$ 690
O 6 x 12	12.2	11.4	\$690
N 6 x 15	15.6	14.6	\$690
P 6 x 36	38.5	36.1	\$690

Prices, availability,
and specifications subject
to change without notice.



HTSD SERIES--CONDENSING UNIT

MODEL	COMPRES MODEL	LIST PRICE				Optional 4-Year Extended Compress Warranty	@ 95° F Ambient		TECHNICAL SPECIFICATION					SHIP WGT. (LBS)
		Voltage			Compress		MBH		Cabinet Size	Rcvr Size	Cond Size	Connections		
		208V/1PH	208V/3PH	460V/3PH			@ +25°F SST	@ -20°F SST				Liq	Suct	
		D	K	M										
Discus - High Temperature - R-22														
HTSD-0500HV	2DC3R53KE	-	\$12,090	\$12,890	\$1,560	43.30	-	MEDIUM	E	C	1/2	1-3/8	800	
HTSD-0501HV	2DD3R63KE	-	\$11,980	\$12,780	\$1,560	49.25	-	MEDIUM	F	C	5/8	1-3/8	800	
HTSD-0750HV	2DL3R78KE	-	\$13,950	\$14,410	\$2,050	67.74	-	MEDIUM	H	D	5/8	1-3/8	800	
HTSD-0751HV	2DA3R89KE	-	\$16,640	\$17,500	\$2,050	73.31	-	LARGE	H	E	5/8	1-3/8	1,250	
HTSD-0752HV	3DA3R10ME	-	\$17,480	\$17,830	\$2,050	87.22	-	LARGE	H	E	5/8	1-3/8	1,250	
HTSD-1000HV	3DB3R12ME	-	\$19,260	\$19,690	\$2,620	103.47	-	LARGE	H	F	7/8	1-3/8	1,250	
HTSD-1200HV	3DF3R15ME	-	\$21,160	\$21,910	\$2,990	123.77	-	X-LARGE	H	J	7/8	1-3/8	1,575	
HTSD-1500HV	3DS3R17ME	-	\$21,670	\$22,460	\$3,960	138.81	-	X-LARGE	H	J	7/8	1-5/8	1,575	
Discus - Low Temperature - R-22														
HTSD-0300LV	2DF3F16KE	\$13,960	\$12,910	\$13,600	\$1,130	-	15.95	MEDIUM	C	B	1/2	1-1/8	800	
HTSD-0400LV	2DL3F20KE	-	\$13,620	\$14,120	\$1,560	-	18.89	MEDIUM	D	B	5/8	1-1/8	800	
HTSD-0600LV	2DB3F25KE	-	\$14,270	\$14,990	\$1,970	-	22.91	MEDIUM	D	B	5/8	1-1/8	800	
HTSD-0601LV	3DA3F28KE	-	\$15,170	\$15,940	\$1,970	-	26.81	MEDIUM	E	C	5/8	1-3/8	800	
HTSD-0750LV	3DB3F33KE	-	\$18,030	\$18,820	\$2,050	-	34.53	LARGE	F	E	5/8	1-3/8	1,250	
HTSD-0900LV	3DF3F40KE	-	\$18,990	\$19,590	\$2,620	-	41.06	LARGE	F	E	5/8	1-3/8	1,250	
HTSD-1000LV	3DS3F46KE	-	\$20,640	\$20,880	\$2,620	-	44.09	LARGE	F	E	5/8	1-5/8	1,250	
HTSD-1500LV	4DL3F63KE	-	\$24,900	\$25,580	\$3,960	-	60.19	LARGE	H	F	7/8	2-1/8	1,250	
HTSD-2200LV	4DT3F76KE	-	\$28,740	\$29,180	\$4,820	-	72.35	X-LARGE	H	J	7/8	2-1/8	1,575	
Discus - High Temperature - R-404A														
HTSD-0500HS	2DC3R53KE	-	\$12,090	\$12,900	\$1,560	43.34	-	MEDIUM	E	C	1/2	1-3/8	800	
HTSD-0501HS	2DD3R63KE	-	\$11,980	\$12,780	\$1,560	50.49	-	MEDIUM	F	C	5/8	1-3/8	800	
HTSD-0750HS	2DL3R78KE	-	\$13,950	\$14,410	\$2,050	60.82	-	MEDIUM	H	D	5/8	1-3/8	800	
HTSD-0751HS	2DA3R89KE	-	\$15,160	\$16,060	\$2,050	75.45	-	LARGE	H	E	5/8	1-3/8	1,250	
HTSD-0752HS	3DA3R10ME	-	\$17,480	\$17,830	\$2,050	86.56	-	LARGE	H	E	5/8	1-3/8	1,250	
HTSD-1000HS	3DB3R12ME	-	\$18,690	\$19,120	\$2,620	99.96	-	LARGE	H	E	7/8	1-3/8	1,250	
HTSD-1200HS	3DF3R15ME	-	\$21,160	\$21,550	\$2,990	131.02	-	X-LARGE	H	J	7/8	1-3/8	1,575	
HTSD-1500HS	3DS3R17ME	-	\$21,670	\$22,460	\$3,960	142.79	-	X-LARGE	H	J	7/8	1-5/8	1,575	
Discus - Low Temperature - R-404A														
HTSD-0300LS	2DF3F16KE	\$12,650	\$11,610	\$12,300	\$1,130	-	19.21	MEDIUM	C	B	1/2	1-3/8	800	
HTSD-0400LS	2DL3F20KE	-	\$12,320	\$12,820	\$1,560	-	22.04	MEDIUM	D	B	5/8	1-3/8	800	
HTSD-0600LS	2DB3F25KE	-	\$13,170	\$13,960	\$1,970	-	27.59	MEDIUM	D	C	5/8	1-3/8	800	
HTSD-0601LS	3DA3F28KE	-	\$14,060	\$14,830	\$1,970	-	31.08	MEDIUM	E	D	5/8	1-3/8	800	
HTSD-0750LS	3DB3F33KE	-	\$16,710	\$17,490	\$2,050	-	38.25	LARGE	F	E	5/8	1-3/8	1,250	
HTSD-0900LS	3DF3F40KE	-	\$17,670	\$18,270	\$2,620	-	45.84	LARGE	F	E	5/8	1-3/8	1,250	
HTSD-1000LS	3DS3F46KE	-	\$19,320	\$19,560	\$2,620	-	51.63	LARGE	F	E	5/8	1-3/8	1,250	
HTSD-1001LS	4DA3F47KE	-	\$20,760	\$21,070	\$2,620	-	52.49	LARGE	H	E	7/8	1-5/8	1,250	
HTSD-1500LS	4DL3F63KE	-	\$23,380	\$23,710	\$3,960	-	68.20	LARGE	H	F	7/8	1-5/8	1,250	
HTSD-2200LS	4DT3F76KE	-	\$27,050	\$27,690	\$4,820	-	85.46	X-LARGE	H	J	7/8	2-1/8	1,575	

* Standard Units Supplied With Liquid Line Kit and Pumpdown Switch

CABINET SIZE	L W H		
	Small	41.750	32.320
Medium	48.000	34.105	41.946
Large	84.000	35.072	41.891
X-Large	99.000	35.002	54.424

RECEIVER SIZE & CAPACITY				
RECEIVER SIZE	RECEIVER SIZE	CAPACITY - 90% FULL		HEATED/INSULATED RECEIVER LIST PRICE
		R-22(LBS)	R-404A/R507(LBS)	
A	6 X 12	12.8	11.1	\$330
B	6 X 18	19.2	16.7	\$330
C	6 X 23	24.6	21.4	\$330
D	6 X 30	32.0	27.9	\$330
E	8-5/8 X 30	62.0	53.9	\$330
F	10-3/4 X 30	94.6	82.3	\$330
G	10-3/4 X 38	122.0	106.2	--
H	12-3/4 X 30	115.0	100.1	\$330

Prices, availability, and specifications subject to change without notice.



HTSR SERIES--CONDENSING UNIT

MODEL	COMPRES MODEL	LIST PRICE			Warranty	@ 95°F Ambient	TECHNICAL SPECIFICATION						SHIP WGT. (LBS)
		Voltage		Compres			MBH	Cabinet	Rcvr	Cond	Connections		
		208V/3PH	460V/3PH								Liq	Suct	
		K	M	Extended 4-Year			@ +25°F SST	@ -20°F SST	Size	Size	Size		
Semi-Hermetic - Medium Temperature - R-22													
HTSR-0050MV	IR2C0173SM	\$5,570	\$5,850	\$610	10.11	-	SMALL	B	A	1/2	5/8	400	
HTSR-0070MV	IR2C0222SM	\$5,860	\$6,030	\$610	12.66	-	SMALL	C	A	1/2	5/8	400	
HTSR-0100MV	IR2C0278SM	\$6,200	\$6,400	\$610	15.87	-	SMALL	C	A	1/2	5/8	400	
HTSR-0150MV	IR2C0407SM	\$7,730	\$8,010	\$630	23.40	-	MEDIUM	D	B	1/2	5/8	550	
HTSR-0200MV	IR2C0484SM	\$8,290	\$8,570	\$960	27.41	-	MEDIUM	D	B	1/2	7/8	550	
HTSR-0220MV	IR2C0572SM	\$9,360	\$9,740	\$960	32.14	-	MEDIUM	E	B	1/2	7/8	550	
HTSR-0300MV	IR2C0692SM	\$10,720	\$10,880	\$1,130	38.43	-	MEDIUM	E	B	5/8	7/8	550	
HTSR-0400MV	IR4C0770SM	\$11,740	\$12,310	\$1,560	45.27	-	MEDIUM	E	C	5/8	7/8	550	
HTSR-0500MV	IR4C0969SM	\$12,060	\$12,510	\$1,560	55.29	-	MEDIUM	F	D	5/8	1-1/8	550	
HTSR-0600MV	IR4C1145SM	\$15,730	\$16,250	\$1,980	70.42	-	LARGE	H	E	5/8	1-1/8	1,250	
HTSR-0650MV	IR4C1385SM	\$16,320	\$16,840	\$1,980	83.14	-	LARGE	H	E	5/8	1-1/8	1,250	
HTSR-0700MV	IR4C1480SM	\$16,720	\$17,250	\$2,050	90.18	-	LARGE	H	E	5/8	1-1/8	1,250	
HTSR-0900MV	IR4C1761SM	\$18,520	\$18,870	\$2,620	107.89	-	LARGE	H	F	5/8	1-3/8	1,250	
HTSR-1000MV	IR4C2067SM	\$19,410	\$19,840	\$2,620	125.85	-	LARGE	H	F	7/8	1-5/8	1,250	
HTSR-1200MV	IR4C2397SM	\$20,560	\$21,020	\$2,990	151.33	-	X-LARGE	H	J	7/8	1-5/8	1,575	
HTSR-1400MV	IR4B2707PM	\$21,770	\$22,200	\$2,990	166.94	-	X-LARGE	H	J	7/8	1-5/8	1,575	
HTSR-1600MV	IR4B3139PM	\$22,810	\$23,460	\$3,960	189.23	-	X-LARGE	H	J	7/8	2-1/8	1,575	
HTSR-1900MV	IR4B3604PM	\$26,010	\$26,290	\$4,820	212.71	-	X-LARGE	H	J	7/8	2-1/8	1,575	
HTSR-2200MV	IR6B4060PM	\$28,110	\$29,000	\$4,820	237.33	-	X-LARGE	H	J	7/8	2-1/8	1,575	
HTSR-2500MV	IR6B4709PM	\$31,670	\$31,980	\$5,380	268.29	-	X-LARGE	H	J	7/8	2-1/8	1,575	
Semi-Hermetic - Low Temperature - R-22													
HTSR-0050LV	IR2C0173SL	\$5,840	\$6,170	\$610	-	3.21	SMALL	B	A	1/2	5/8	400	
HTSR-0070LV	IR2C0222SL	\$6,100	\$6,360	\$610	-	4.17	SMALL	B	A	1/2	5/8	400	
HTSR-0100LV	IR2C0278SL	\$6,420	\$6,610	\$610	-	5.53	SMALL	B	A	1/2	5/8	400	
HTSR-0150LV	IR2C0407SL	\$6,550	\$6,830	\$630	-	8.06	SMALL	B	A	1/2	5/8	400	
HTSR-0200LV	IR2C0484SL	\$6,970	\$7,370	\$960	-	9.48	SMALL	B	A	1/2	7/8	400	
HTSR-0220LV	IR2C0572SL	\$7,520	\$7,990	\$960	-	10.48	SMALL	C	A	1/2	7/8	400	
HTSR-0300LV	IR2C0692SL	\$10,500	\$10,950	\$1,130	-	13.76	MEDIUM	C	B	1/2	7/8	550	
HTSR-0400LV	IR4C0770SL	\$11,160	\$11,620	\$1,560	-	15.07	MEDIUM	D	B	5/8	7/8	550	
HTSR-0500LV	IR4C0969SL	\$11,570	\$12,020	\$1,560	-	18.66	MEDIUM	D	B	5/8	1-1/8	550	
HTSR-0600LV	IR4C1145SL	\$12,570	\$13,020	\$1,980	-	21.43	MEDIUM	E	B	5/8	1-1/8	550	
HTSR-0650LV	IR4C1385SL	\$13,310	\$13,810	\$1,980	-	23.98	MEDIUM	F	C	5/8	1-1/8	550	
HTSR-0700LV	IR4C1480SL	\$13,630	\$14,150	\$2,050	-	27.68	MEDIUM	F	C	5/8	1-1/8	550	
HTSR-0900LV	IR4C1761SL	\$16,230	\$16,750	\$2,620	-	35.75	LARGE	H	E	5/8	1-3/8	1,250	
HTSR-1000LV	IR4C2067SL	\$18,190	\$18,790	\$2,620	-	40.97	LARGE	H	E	7/8	1-5/8	1,250	
HTSR-1200LV	IR4C2397SL	\$18,670	\$19,310	\$2,990	-	48.96	LARGE	H	E	7/8	1-5/8	1,250	
HTSR-1400LV	IR4B2707PL	\$20,170	\$20,800	\$2,990	-	50.10	LARGE	H	E	7/8	1-5/8	1,250	
HTSR-1600LV	IR4B3139PL	\$21,960	\$22,070	\$3,960	-	58.07	LARGE	H	F	7/8	2-1/8	1,250	
HTSR-1900LV	IR4B3604PL	\$24,500	\$24,750	\$4,820	-	69.43	X-LARGE	H	J	7/8	2-1/8	1,575	
HTSR-2200LV	IR6B4060PL	\$25,490	\$25,800	\$4,820	-	76.71	X-LARGE	H	J	7/8	2-1/8	1,575	
HTSR-2500LV	IR6B4709PL	\$28,240	\$28,810	\$5,380	-	88.06	X-LARGE	H	J	7/8	2-1/8	1,575	
Semi-Hermetic - Medium Temperature - R-404A													
HTSR-0050MS	IR2C0173SM	\$5,570	\$5,850	\$610	10.48	-	SMALL	B	A	1/2	5/8	400	
HTSR-0070MS	IR2C0222SM	\$5,860	\$6,010	\$610	13.67	-	SMALL	C	A	1/2	5/8	400	
HTSR-0100MS	IR2C0278SM	\$6,200	\$6,530	\$610	16.80	-	SMALL	C	A	1/2	5/8	400	
HTSR-0150MS	IR2C0407SM	\$7,790	\$8,070	\$630	25.49	-	MEDIUM	D	B	5/8	5/8	550	
HTSR-0200MS	IR2C0484SM	\$8,350	\$8,630	\$960	30.62	-	MEDIUM	D	B	5/8	7/8	550	
HTSR-0220MS	IR2C0572SM	\$9,420	\$9,730	\$960	34.31	-	MEDIUM	E	B	5/8	7/8	550	
HTSR-0300MS	IR2C0692SM	\$10,950	\$11,380	\$1,130	43.20	-	MEDIUM	F	C	5/8	7/8	550	
HTSR-0400MS	IR4C0770SM	\$11,740	\$12,190	\$1,560	46.89	-	MEDIUM	F	C	5/8	7/8	550	
HTSR-0500MS	IR4C0969SM	\$14,020	\$14,550	\$1,560	63.88	-	LARGE	H	E	5/8	1-1/8	1,250	
HTSR-0600MS	IR4C1145SM	\$15,730	\$16,250	\$1,980	73.64	-	LARGE	H	E	5/8	1-1/8	1,250	
HTSR-0650MS	IR4C1385SM	\$16,320	\$16,840	\$1,980	86.71	-	LARGE	H	E	5/8	1-1/8	1,250	
HTSR-0700MS	IR4C1480SM	\$16,850	\$17,380	\$2,050	91.37	-	LARGE	H	E	7/8	1-1/8	1,250	
HTSR-0900MS	IR4C1761SM	\$18,650	\$19,000	\$2,620	109.66	-	LARGE	H	F	7/8	1-3/8	1,250	
HTSR-1000MS	IR4C2067SM	\$20,210	\$20,670	\$2,620	137.28	-	X-LARGE	H	J	7/8	1-5/8	1,575	
HTSR-1200MS	IR4C2397SM	\$21,870	\$22,370	\$2,990	156.23	-	X-LARGE	H	J	7/8	1-5/8	1,575	
HTSR-1400MS	IR4B2707PM	\$23,270	\$23,760	\$2,990	171.22	-	X-LARGE	H	J	7/8	1-5/8	1,575	
HTSR-1600MS	IR4B3139PM	\$24,040	\$24,860	\$3,960	191.39	-	X-LARGE	H	J	7/8	2-1/8	1,575	
HTSR-1900MS	IR4B3604PM	\$26,010	\$26,820	\$4,820	215.08	-	X-LARGE	H	J	7/8	2-1/8	1,575	
HTSR-2200MS	IR6B4060PM	\$28,110	\$28,950	\$4,820	236.74	-	X-LARGE	H	J	7/8	2-1/8	1,575	
HTSR-2500MS	IR6B4709PM	\$31,670	\$32,610	\$5,380	259.91	-	X-LARGE	H	J	7/8	2-1/8	1,575	
Semi-Hermetic - Low Temperature - R-404A													
HTSR-0050LS	IR2C0173SL	\$5,450	\$5,720	\$610	-	3.03	SMALL	B	A	1/2	5/8	400	
HTSR-0070LS	IR2C0222SL	\$5,710	\$5,870	\$610	-	4.34	SMALL	B	A	1/2	5/8	400	
HTSR-0100LS	IR2C0278SL	\$6,030	\$6,160	\$610	-	5.56	SMALL	B	A	1/2	5/8	400	
HTSR-0150LS	IR2C0407SL	\$6,160	\$6,440	\$630	-	8.05	SMALL	B	A	1/2	5/8	400	
HTSR-0200LS	IR2C0484SL	\$6,580	\$6,860	\$960	-	9.75	SMALL	B	A	1/2	7/8	400	
HTSR-0220LS	IR2C0572SL	\$8,590	\$8,940	\$960	-	11.98	MEDIUM	C	B	1/2	7/8	550	
HTSR-0300LS	IR2C0692SL	\$10,170	\$10,620	\$1,130	-	14.46	MEDIUM	C	B	5/8	7/8	550	
HTSR-0400LS	IR4C0770SL	\$10,930	\$11,380	\$1,560	-	15.72	MEDIUM	D	B	5/8	7/8	550	
HTSR-0500LS	IR4C0969SL	\$11,500	\$11,980	\$1,560	-	19.15	MEDIUM	D	B	5/8	1-1/8	550	
HTSR-0600LS	IR4C1145SL	\$12,410	\$12,890	\$1,980	-	23.07	MEDIUM	E	C	5/8	1-1/8	550	
HTSR-0650LS	IR4C1385SL	\$13,100	\$13,600	\$1,980	-	28.93	MEDIUM	E	D	5/8	1-1/8	550	
HTSR-0700LS	IR4C1480SL	\$13,870	\$14,270	\$2,050	-	29.33	MEDIUM	E	D	5/8	1-1/8	550	
HTSR-0900LS	IR4C1761SL	\$15,840	\$16,360	\$2,620	-	37.64	LARGE	F	E	5/8	1-3/8	1,250	
HTSR-1000LS	IR4C2067SL	\$17,260	\$17,800	\$2,620	-	44.13	LARGE	F	E	5/8	1-5/8	1,250	
HTSR-1200LS	IR4C2397SL	\$17,750	\$18,320	\$2,990	-	49.47	LARGE	F	E	5/8	1-5/8	1,250	
HTSR-1400LS	IR4B2707PL	\$20,280	\$20,830	\$2,990	-	57.88	LARGE	H	F	7/8	1-5/8	1,250	
HTSR-1600LS	IR4B3139PL	\$21,580	\$21,930	\$3,960	-	65.80	LARGE	H	F	7/8	2-1/8	1,250	
HTSR-1900LS	IR4B3604PL	\$24,140	\$24,570	\$4,820	-	80.33	X-LARGE	H	J	7/8	2-1/8	1,575	
HTSR-2200LS	IR6B4060PL	\$25,130	\$25,880	\$4,820	-	85.87	X-LARGE	H	J	7/8	2-1/8	1,575	
HTSR-2500LS	IR6B4709PL	\$27,920	\$28,770	\$5,380	-	99.65	X-LARGE	H	J	7/8	2-1/8	1,575	

* Standard Units Supplied With Liquid Line Kit and Pumpdown Switch

CABINET SIZE	L W H		
	Small	41.750	32.320
Medium	48.000	34.105	41.946
Large	84.000	35.072	41.891
X-Large	99.000	35.002	54.424

RECEIVER SIZE & CAPACITY			
RECEIVER SIZE	CAPACITY - 90% FULL		HEATED/INSULATED RECEIVER LIST PRICE
	R-22(LBS)	R-404A/R507(LBS)	
A	6 X 12	11.1	\$330
B	6 X 18	16.7	\$330
C	6 X 23	21.4	\$330
D	6 X 30	27.9	\$330
E	8-5/8 X 30	62.0	\$330
F	10-3/4 X 30	94.6	\$330
G	10-3/4 X 38	122.0	
H	12-3/4 X 30	115.0	\$330



HTSS-SERIES--CONDENSING UNIT

MODEL	COMPRES MODEL	LIST PRICE				Optional 4-Year Extended Compres Warranty	@ 95°F Ambient		TECHNICAL SPECIFICATION					SHIP WGT. (LBS)
		Voltage			MBH		Cabinet Size	Rcvr Size	Cond Size	Connections				
		208V/1P H	208V/3PH	460V/3PH						Liq	Suct			
		D	K	M						+25°F SST	@ - 20°F SST			
Semi-Hermetic - Medium Temperature - R-22														
HTSS-0050MV	HAJ# - 005E	\$4,690	\$4,690	-	\$610	5.01	-	SMALL	B	A	1/2	7/8	400	
HTSS-0070MV	KAN# - 007E	\$4,790	-	-	\$610	6.91	-	SMALL	B	A	1/2	7/8	400	
HTSS-0071MV	KAE# - 007E	\$4,810	\$4,660	-	\$610	7.93	-	SMALL	B	A	1/2	7/8	400	
HTSS-0100MV	KAR# - 010E	\$5,120	\$5,100	\$5,160	\$610	9.63	-	SMALL	B	A	1/2	7/8	400	
HTSS-0201MV	ERC# - 020E	-	\$6,440	\$6,610	\$960	17.71	-	SMALL	D	A	1/2	7/8	400	
HTSS-0300MV	ERF# - 031E	\$7,340	\$7,240	\$7,350	\$1,130	20.23	-	SMALL	D	A	1/2	1-1/8	400	
HTSS-0301MV	3RA#-031E	-	\$8,640	\$8,880	\$1,130	31.05	-	MEDIUM	D	B	1/2	1-1/8	550	
Semi-Hermetic - Low Temperature - R-22														
HTSS-0070LV	KAM# - 007E	\$4,850	\$4,840	-	\$610	-	3.13	SMALL	B	A	1/2	7/8	400	
HTSS-0100LV	KAJ# - 010E	\$5,140	\$5,110	\$5,350	\$610	-	4.31	SMALL	B	A	1/2	7/8	400	
HTSS-0201LV	EAD# - 020E	\$6,470	\$6,500	-	\$960	-	6.12	SMALL	C	A	1/2	7/8	400	
HTSS-0200LV	EAV# - 021E	\$6,620	\$6,620	\$6,770	\$960	-	7.00	SMALL	C	A	1/2	7/8	400	
HTSS-0250LV	LAH# - 032E	\$8,350	\$8,370	\$8,600	\$960	-	11.11	MEDIUM	C	B	1/2	1-1/8	550	
Semi-Hermetic - Medium Temperature - R-404A														
HTSS-0050MS	HAJ# - 005E	\$4,690	\$4,690	-	\$610	5.23	-	SMALL	B	A	1/2	7/8	400	
HTSS-0100MS	KAR# - 010E	\$5,120	\$5,100	\$5,160	\$610	9.74	-	SMALL	B	A	1/2	7/8	400	
HTSS-0101MS	KAG# - 010E	\$5,930	\$5,860	\$6,010	\$610	11.46	-	SMALL	C	A	1/2	7/8	400	
HTSS-0200MS	KAK# - 020E	\$6,260	\$6,170	\$6,320	\$960	15.27	-	SMALL	C	A	1/2	7/8	400	
HTSS-0201MS	ERC# - 021E	-	\$7,080	\$7,270	\$960	17.96	-	SMALL	C	A	1/2	7/8	400	
HTSS-0300MS	ERF# - 031E	\$7,890	\$7,760	\$7,980	\$1,130	28.03	-	MEDIUM	C	B	1/2	1-1/8	550	
HTSS-0301MS	3RA# - 031E	-	\$9,060	\$9,310	\$1,130	32.53	-	MEDIUM	C	B	1/2	1-1/8	550	
HTSS-0400MS	NRB# - 040E	-	\$9,650	\$9,920	\$1,560	35.90	-	MEDIUM	E	B	1/2	1-1/8	550	
Semi-Hermetic - Low Temperature - R404A														
HTSS-0050LS	KAN# - 006E	\$4,880	\$4,910	-	\$610	-	2.04	SMALL	B	A	1/2	7/8	400	
HTSS-0070LS	KAM# - 007E	\$5,080	\$5,060	-	\$610	-	3.35	SMALL	B	A	1/2	7/8	400	
HTSS-0100LS	KAJ# - 011E	\$5,360	\$5,320	\$5,380	\$630	-	4.67	SMALL	B	A	1/2	7/8	400	
HTSS-0150LS	KAL# - 016E	\$6,060	\$6,090	\$6,310	\$630	-	6.70	SMALL	B	A	1/2	7/8	400	
HTSS-0200LS	EAV# - 021E	\$7,020	\$7,020	\$7,420	\$960	-	8.26	SMALL	C	A	1/2	7/8	400	
HTSS-0250LS	LAH# - 032E	\$8,730	\$8,550	\$8,790	\$960	-	13.76	MEDIUM	C	B	1/2	1-1/8	550	

* Standard Unit Supplied with Liquid Line Kit and Pumpdown Switch

CABINET SIZE	L	W	H
Small	41.750	32.320	24.471
Medium	48.000	34.105	41.946
Large	84.000	35.072	41.891
X-Large	99.000	35.002	54.424

RECEIVER SIZE & CAPACITY

RECEIVER SIZE	CAPACITY - 90% FULL		HEATED/ INSULATED RECEIVER KIT LIST PRICE
	R-22(LBS)	R-404A/R507(LBS)	
A 6 X 12	12.8	11.1	\$330
B 6 X 18	19.2	16.7	\$330
C 6 X 23	24.6	21.4	\$330
D 6 X 30	32.0	27.9	\$330
E 8-5/8 X 30	62.0	53.9	\$330
F 10-3/4 X 30	94.6	82.3	\$330
G 10-3/4 X 38	122.0	106.2	--
H 12-3/4 X 30	115.0	100.1	\$330

Prices, availability,
and specifications subject
to change without notice.



HTSZ SERIES--CONDENSING UNITS

MODEL	COMPRES MODEL	LIST PRICE			Optional 4-Year Extended Compressor Warranty	@ 95° F Ambient		TECHNICAL SPECIFICATION					SHIP WGT. (LBS)
		Voltage				MBH	Cabinet	Rcvr	Cond	Connection			
		208V/1P	208V/3PH	460V/3P						Liq	Suct		
		H		H									
D	K	M	+25°F SST	@ - 20°F SST	Size	Size	Size						
Scroll - Medium Temperature - R-22													
HTSZ-0200MV	ZS15K4E	\$6,370	\$6,200	\$6,350	\$730	17.21	-	SMALL	C	A	1/2	7/8	400
HTSZ-0250MV	ZS19K4E	\$6,810	\$6,690	\$6,800	\$730	22.18	-	MEDIUM	C	B	1/2	7/8	650
HTSZ-0300MV	ZS21K4E	\$7,040	\$6,900	\$7,070	\$840	24.72	-	MEDIUM	D	B	1/2	7/8	650
HTSZ-0350MV	ZS26K4E	\$7,340	\$7,190	\$7,350	\$840	30.02	-	MEDIUM	D	B	1/2	7/8	650
HTSZ-0400MV	ZS30K4E	\$8,250	\$8,060	\$8,250	\$910	34.48	-	MEDIUM	E	B	5/8	7/8	650
HTSZ-0500MV	ZS38K4E	\$8,550	\$8,300	\$8,420	\$910	42.68	-	MEDIUM	E	C	5/8	7/8	650
HTSZ-0600MV	ZS45K4E	-	\$8,270	\$8,550	\$980	50.56	-	MEDIUM	F	C	5/8	7/8	650
HTSZ-0750MV	ZS56K4E	-	\$15,330	\$15,900	\$1,590	63.32	-	LARGE	F	E	5/8	1-3/8	1,200
HTSZ-1000MV	ZS75K4E	-	\$19,070	\$19,380	\$1,720	87.64	-	LARGE	H	E	5/8	1-3/8	1,200
HTSZ-1300MV	ZS92K4E	-	\$19,700	\$20,700	\$1,960	107.49	-	LARGE	H	F	7/8	1-3/8	1,200
HTSZ-1500MV	ZS11M4E	-	\$21,530	\$22,500	\$2,150	126.61	-	X-LARGE	H	J	7/8	1-3/8	1,550
Scroll - Low Temperature - R-22													
HTSZ-0200LV	ZF06K4E	\$5,980	\$5,830	\$6,550	\$730	-	6.94	SMALL	B	A	1/2	7/8	400
HTSZ-0250LV	ZF08K4E	\$6,130	\$5,980	\$6,680	\$730	-	8.76	SMALL	B	A	1/2	7/8	400
HTSZ-0300LV	ZF09K4E	\$6,620	\$6,440	\$6,810	\$840	-	9.81	SMALL	B	A	1/2	7/8	400
HTSZ-0350LV	ZF11K4E	\$7,540	\$7,380	\$7,790	\$840	-	12.40	MEDIUM	C	B	1/2	7/8	650
HTSZ-0400LV	ZF13K4E	\$7,770	\$7,570	\$8,260	\$910	-	14.29	MEDIUM	C	B	1/2	7/8	650
HTSZ-0500LV	ZF15K4E	\$8,050	\$7,780	\$8,580	\$910	-	17.32	MEDIUM	C	B	1/2	7/8	650
HTSZ-0600LV	ZF18K4E	-	\$8,450	\$9,010	\$980	-	20.20	MEDIUM	D	B	5/8	7/8	650
HTSZ-0750LV	ZF24K4E	-	\$13,770	\$14,210	\$1,590	-	24.37	MEDIUM	E	C	5/8	1-3/8	650
HTSZ-1000LV	ZF33K4E	-	\$16,700	\$17,400	\$1,720	-	35.31	LARGE	F	E	5/8	1-3/8	1,200
Scroll - Medium Temperature - R-404A													
HTSZ-0200MS	ZS15K4E	\$5,840	\$5,710	\$5,800	\$730	17.75	-	SMALL	B	A	1/2	7/8	400
HTSZ-0250MS	ZS19K4E	\$5,970	\$5,890	\$6,050	\$730	23.36	-	MEDIUM	D	B	1/2	7/8	650
HTSZ-0300MS	ZS21K4E	\$6,530	\$6,430	\$6,430	\$840	25.54	-	MEDIUM	D	B	1/2	7/8	650
HTSZ-0350MS	ZS26K4E	\$7,160	\$7,040	\$7,240	\$840	30.94	-	MEDIUM	E	B	1/2	7/8	650
HTSZ-0400MS	ZS30K4E	\$7,800	\$7,630	\$7,860	\$910	34.99	-	MEDIUM	E	B	5/8	7/8	650
HTSZ-0500MS	ZS38K4E	\$8,230	\$8,000	\$8,380	\$910	43.40	-	MEDIUM	E	C	5/8	7/8	650
HTSZ-0600MS	ZS45K4E	-	\$8,390	\$8,590	\$980	51.35	-	MEDIUM	F	C	5/8	7/8	650
HTSZ-0750MS	ZS56K4E	-	\$15,330	\$15,900	\$1,590	66.07	-	LARGE	F	E	5/8	1-3/8	1,200
HTSZ-1000MS	ZS75K4E	-	\$18,620	\$19,380	\$1,720	90.29	-	LARGE	H	E	5/8	1-3/8	1,200
HTSZ-1300MS	ZS92K4E	-	\$19,700	\$20,330	\$1,960	108.47	-	LARGE	H	F	7/8	1-5/8	1,200
HTSZ-1500MS	ZS11M4E	-	\$21,530	\$21,820	\$2,150	130.20	-	X-LARGE	H	J	7/8	1-5/8	1,550
Scroll - Low Temperature - R-404A													
HTSZ-0200LS	ZF06K4E	\$6,500	\$6,330	\$6,550	\$730	-	7.46	SMALL	B	A	1/2	7/8	400
HTSZ-0250LS	ZF08K4E	\$6,610	\$6,430	\$6,680	\$730	-	9.30	SMALL	B	A	1/2	7/8	400
HTSZ-0300LS	ZF09K4E	\$6,810	\$6,610	\$6,810	\$840	-	10.16	SMALL	B	A	1/2	7/8	400
HTSZ-0350LS	ZF11K4E	\$7,720	\$7,540	\$7,600	\$840	-	13.29	MEDIUM	C	B	1/2	7/8	650
HTSZ-0400LS	ZF13K4E	\$8,220	\$8,000	\$8,260	\$910	-	14.97	MEDIUM	C	B	1/2	7/8	650
HTSZ-0500LS	ZF15K4E	\$8,530	\$8,230	\$8,580	\$910	-	18.11	MEDIUM	C	B	1/2	7/8	650
HTSZ-0600LS	ZF18K4E	-	\$8,970	\$9,280	\$980	-	21.89	MEDIUM	E	C	5/8	7/8	650
HTSZ-0750LS	ZF24K4E	-	\$13,770	\$14,210	\$1,590	-	26.11	MEDIUM	E	C	5/8	1-3/8	650
HTSZ-1000LS	ZF33K4E	-	\$16,710	\$17,400	\$1,960	-	37.81	LARGE	F	E	5/8	1-3/8	1,200

* Standard Unit Supplied with Liquid Line Kit and Pumpdown Switch

CABINET SIZE	L W H		
	L	W	H
Small	41.750	32.320	24.471
Medium	48.000	34.105	41.946
Large	84.000	35.072	41.891
X-Large	99.000	35.002	54.424

RECEIVER SIZE & CAPACITY

RECEIVER SIZE	CAPACITY - 90% FULL		RECEIVER KIT LIST PRICE
	R-22(LBS)	R-404A/R507(LBS)	
A 6 X 12	12.8	11.1	\$330
B 6 X 18	19.2	16.7	\$330
C 6 X 23	24.6	21.4	\$330
D 6 X 30	32.0	27.9	\$330
E 8-5/8 X 30	62.0	53.9	\$330
F 10-3/4 X 30	94.6	82.3	\$330
G 10-3/4 X 38	122.0	106.2	--
H 12-3/4 X 30	115.0	100.1	\$330

Prices, availability, and specifications subject to change without notice.

HNST/HNSX - SERIES INDOOR CONDENSING UNITS

MODEL	COMPRES'R MODEL	LIST PRICE		Optional 4-Year Extended Compressor Warranty	@90°F Ambient MBH		TECHNICAL SPECIFICATIONS			Cabinet Size (in)			SHIP WGT. LBS.
		208/230V/1PH	208/230V/3PH		+25°F SST	@ - 20°F SST	Pumpdown 90°F @ 90% (lbs.)	Liquid (in)	Suction (in)	L	W	H	
		D	K										
High Temp R-22													
HNST-0050HV	AKA9455E	\$2,480	-	\$550	6.90	-	10.3	1/4	3/8	28.0	17.8	15.0	85
HNST-0070HV	AKA9462E	\$2,550	-	\$550	7.80	-	10.3	1/4	3/8	28.0	17.8	15.0	85
HNST-0090HV	AJA9484E	\$2,940	-	\$550	9.50	-	10.3	1/4	1/2	28.0	17.7	15.1	101
HNST-0100HV	AWG5515E	\$3,410	-	\$550	10.47	-	12.1	3/8	5/8	28.0	19.4	16.2	120
HNST-0150HV	AWG5520E	\$3,430	\$3,700	\$550	13.17	-	12.4	3/8	5/8	28.0	19.4	16.2	134
HNST-0200HV	AWG5524E	\$5,110	\$5,250	\$700	16.40	-	19	3/8	5/8	33.6	25.0	19.5	185
HNST-0250HV	AWG5530E	\$5,540	\$5,640	\$700	20.79	-	19.3	3/8	5/8	33.6	25.0	19.5	180
HNST-0300HV	AVA5538E	-	\$5,760	\$700	25.77	-	19.3	3/8	7/8	33.6	25.0	19.5	220
HNST-0350HV	AVA5542E	\$5,830	\$5,780	\$700	27.49	-	19.3	3/8	7/8	33.6	25.0	19.5	221
HNST-0400HV	AGA5553E	\$6,580	\$6,470	\$700	38.25	-	47.2	1/2	7/8	44.9	28.6	26.9	311
HNST-0500HV	AGA5561E	\$7,300	\$7,250	\$700	46.00	-	51.3	1/2	7/8	44.8	28.6	26.9	331
HNST-0600HV	AGA5568E	\$7,410	\$7,240	\$700	49.50	-	51.3	1/2	7/8	44.8	28.6	26.9	331
Medium Temp R-404A													
HNST-0070MS	AKA9462Z	\$2,790	-	\$550	6.90	-	8.9	1/4	3/8	28.0	17.8	15.0	84
HNST-0100MS	AWA9490Z	\$3,630	\$3,620	\$550	11.96	-	10.5	3/8	5/8	28.0	19.4	16.2	130
HNST-0150MS	AWA9512Z	\$5,170	\$5,310	\$550	15.76	-	16.5	3/8	5/8	33.6	25.0	19.5	150
HNST-0200MS	AVA7524Z	\$5,630	\$5,460	\$550	24.19	-	16.5	3/8	5/8	33.6	25.0	19.5	150
HNST-0300MS	AVA9522Z	\$5,930	\$5,890	\$700	27.04	-	16.8	3/8	7/8	33.6	25.0	19.5	150
HNST-0400MS	AGA9530Z	\$7,400	\$7,250	\$700	42.60	-	44.6	1/2	7/8	44.8	28.6	26.9	463
HNST-0500MS	AGA9534Z	-	\$7,440	\$700	47.30	-	44.6	1/2	7/8	44.8	28.6	26.9	463
Low Temp R-404A													
HNST-0075LS	AJA2425Z	\$2,690	-	\$550	-	2.28	8.9	1/4	1/2	28.0	17.7	15.1	77
HNST-0100LS	AWA2440Z	\$3,150	\$3,250	\$550	-	3.57	8.9	1/4	1/2	28.0	17.7	15.2	119
HNST-0125LS	AWA2460Z	\$3,600	\$3,830	\$550	-	5.92	10.5	3/8	5/8	28.0	19.4	16.2	119
HNST-0150LS	AWA2460Z	\$5,230	\$5,250	\$550	-	6.36	16.5	3/8	5/8	33.6	25.0	19.5	119
HNST-0200LS	AVA2490Z	\$5,580	\$5,420	\$700	-	9.10	16.5	3/8	7/8	33.6	25.0	19.5	220
HNST-0300LS	AVA2512Z	\$6,010	\$5,870	\$700	-	10.90	16.8	3/8	5/8	33.6	25.0	19.5	220

Scroll Units

HNSX-0100MS	VSA9490Z	-	\$4,720	\$550	12.17	-	10.5	3/8	5/8	28.0	19.4	16.2	155
HNSX-0200MS	VSA9514Z	\$5,650	\$5,780	\$550	18.11	-	16.5	3/8	5/8	33.6	25.0	19.6	290
HNSX-0250MS	VSA9517Z	\$6,110	\$6,120	\$550	23.04	-	16.8	3/8	5/8	33.6	25.0	19.6	295
HNSX-0300MS	VSA9521Z	-	\$6,970	\$700	24.40	-	16.8	3/8	5/8	33.6	25.0	19.6	305
HNSX-0350MS	VSA9524Z	-	\$7,200	\$700	31.12	-	40.9	1/2	5/8	44.9	28.6	26.9	220
HNSX-0400MS	VSA9528Z	-	\$7,440	\$700	33.20	-	40.9	1/2	5/8	44.9	28.6	26.9	235



H-SERIES--OPTIONS (Excl. HNST/HTST/HNSX)
 APPLIES TO H MODEL CONDENSING UNITS EQUIPPED WITH COPPLAD SEMI
 HERMETIC, DISCUS, AND SCROLL COMPRESSORS, AND IRBITZER IMPACT
 COMPRESSORS.

Non-Replaceable Suction Filter (Note 1)	
Suction Connection	List Price
5/8	\$90
7/8	\$90
1-1/8	\$90
1-3/8	\$130
1-5/8	\$130
2-1/8	\$310

Liquid Line Solenoid Valve (Ship Loose)	
Liquid Connection	List Price
1/2	\$230
5/8	\$230
7/8	\$330

Heated / Insulated Receiver	
Receiver Size	List Price
A, B, C, D	\$330
E, F	\$330
G, H	\$330

Defrost Kits*	Price List
Defrost Clock	\$370
Elec Def Kit- E2	\$1,470
Elec Def Kit- E3	\$1,890
Elec Def Kit- E4	\$3,150

1 phase, <12 motor amps, <48 heater amps
 3 phase, <12 motor amps, <48 heater amps
 3 phase, <12 motor amps, <100 heater amps

* Must specify evaporator motor voltage and heater voltage

Condenser Size	Condenser Coil Protection (Note 2 and 3)			
	Electrofin	Phenolic	Vinyl	Copper Fin
A	\$550	\$760	\$2,080	\$2,680
B	\$360	\$620	\$1,960	\$2,790
C	\$470	\$740	\$2,080	\$2,910
D	\$845	\$1,180	\$2,420	\$3,670
E	\$2,220	\$2,730	\$3,620	\$5,600
F	\$2,770	\$3,390	\$3,950	\$7,360
J	\$3,650	\$4,170	\$6,900	\$8,900

Suction Accumulator	
Suction connection	List Price
5/8	\$340
7/8	\$340
1 1/8	\$380
1 3/8	\$440
1 5/8	\$510
2 1/8	\$630

Oil Separator	
Discharge c	List Price
1/2 (S)	\$1,090
5/8 (M)	\$1,120
7/8 (L)	\$1,520
1 1/8 (XL)	\$1,680

Fan Cycling	
Cond Size	# of Fans
A	1
B	1
C	2
D	2
E	4
F	4
J	6

Fused Disconnect (loose)	
Amp/Poles/Voltage	List Price
30A 3P 240V	\$490
60A 3P 240V	\$710
100A 3P 240V	\$1,030
200A 3P 240V	\$1,980
30A 3P 600V	\$720
60A 3P 600V	\$710
100A 3P 600V	\$1,370
200A 3P 600V	\$1,980

Phase Loss Monitor	
Voltage	List Price
208 - 460V	\$280
575V	\$280

Fan Cycling (per fan)	
Cycle	List Price
1 Step	\$270
2 Step	\$540
3 Step	\$800
4 Step	\$1,070
5 Step	\$1,340
6 Step	\$1,600

Note 1: Non-Replaceable Suction Filter is an Option on All Units.
 Note 2: Consult Factory for Lead Time on Condenser/Subcooling with Coil Protection.
 The Sub-Cooling MUST have the same protection than the Condenser has.
 Note 3: Condensers With Coil Protection MUST NOT be Sold Separately.
 Consult Factory for Just the Price List for Condenser With Coil Protection.

Standard Features List

HTS Condensing Units



Small Standard H-Series Unit



Medium Heavy Duty H-Series Unit



Large Standard H-Series Unit

- Outdoor Housing
- Manual Re-set High Pressure control (cartridge type)
- Adjustable auto-rest low pressure control
- Oil pressure failure control
- Oil pumps when required
- Head Pressure Control (winter control valve)
- Crankcase heater
- Vertical receiver with fusible plug
- Compressor contactor
- Fuses for compressor power
- Separate fuses for control circuit power
- UL Listed
- Drier, sight glass, pump down switch



CS--Commercial Large Condensing Units

Commercial Large Condensing Unit Model Key			
CP	I	- 0700	H 2 M
Condensing Unit Family CS - Single Compressor CP - Parallel Compressors CD - Dual Compressors			
Compressor Manufacturer D - Copeland Discus I - Ingersoll Rand Semi-Hermetic V - Copeland Screw (Consult factory)			
Total HP 0100 = 10 HP w/std condenser 0101 = 10 HP w/oversized condenser 0700 = (2) 35 HP w/std condenser 0701 = (2) 35 HP w/oversized condenser			
			Voltage K - 208/230/3/60 M - 460/3/60 P - 575/3/60 U - 380/3/50
			Refrigerant 2 (V) - R22 4 (S) - R404A 7 (P) - R507
			Temperature H - High M - Medium L - Low

Standard Features

- Replaceable core liquid line filter drier and sight glass.
- Encapsulated high pressure cutout.
- Electronic oil pressure switch.
- Adjustable low pressure control.
- 230V control circuit with transformer (where needed).
- Adjustable low ambient head pressure control valve.
- Oversized condenser (models pre-engineered).
- Low temperature units--suction accumulator

Optional Features

- Pressure fan cycling.
- Suction filter.
- 115 control voltage with transformer.
- Oil separator system to activate flow of oil. (Recommended for room temperatures of -10°F and below).
- Suction accumulator (medium/high temperature).
- Replaceable core suction filter.
- Heated and insulated receiver.
- Electrical control panel with all necessary controls to run electric defrost evaporators (includes timer, contactors).
- Air defrost timer.
- Shipped loose fused disconnect .
- Mounted non-fused disconnect with interlock.
- Cylinder unloaders for compressors.
- Alternate fin materials, such as vinyl and copper, can be specified for adverse environmental conditions.
- 1.5 HP 850 RPM with low noise fan blades.
- Condenser access/clean out doors.



CS* - Single Compressor Models
One refrigerant and one electrical circuit

Standard	Compressor Model		Capacity @ 95°F		List Price			Optional Htd Ins Receiver	O P T I O N S					Optional 4-Year Extended Compressor Warranty		Unit size	DIMENSIONS (IN)			
			Ambiant MBH@		230V (K)	460V (M)	575V(P)		Suction Accumulator	Oil Separator	Repl Core Suct Filter	Pressure fan cycling	Suction filter Sealed	IR	Copeland Discus		L	W	H	Ship wt. (lbs)
			+25 SST	-20 SST																
CS*0100H2	IR4C1761S	3DB3R12ME	105.4	-	\$19,720	\$20,230	\$20,660	\$1,850	\$1,590	\$2,890	\$1,480	NA	\$980	\$2,490	\$2,490	A	92.00	45.25	51.50	1,564
CS*0150H2	IR4C2397S	3DS3R17ME	141.5	-	\$21,940	\$22,550	\$23,040	\$1,850	\$1,590	\$2,890	\$1,480	\$960	\$980	\$3,770	\$3,770	B	146.00	45.25	51.50	1,848
CS*0200H2	IR4B2707P	4DA3R18ME	151.4	-	\$24,780	\$25,590	\$26,140	\$1,850	\$1,590	\$2,970	\$1,480	\$960	\$980	\$4,590	\$4,590	B	146.00	45.25	51.50	1,931
CS*0250H2	IR4B3139P	4DH3R22ME	195.9	-	\$30,120	\$30,960	\$31,610	\$1,960	\$1,590	\$2,970	\$1,480	\$960	\$980	\$5,120	\$5,120	B	146.00	45.25	51.50	2,064
CS*0300H2	IR4B3604P	4DJ3R28ME	228.8	-	\$37,310	\$38,200	\$39,000	\$2,020	\$1,590	\$2,970	\$1,480	\$960	\$980	\$5,850	\$5,850	B	146.00	45.25	51.50	2,173
CS*0350H2	IR6B4709P	6DH3R35ME	281.1	-	\$42,480	\$43,420	\$44,350	\$2,020	\$1,590	\$3,710	\$1,480	\$1,530	\$980	\$5,900	\$5,900	C	200.00	45.25	51.50	2,656
CS*0400H2	IR6B5406P	6DJ3R40ME	336.3	-	\$46,460	\$47,440	\$48,440	\$2,080	\$1,590	\$3,710	\$1,480	\$1,530	\$980	\$6,550	\$6,550	C	200.00	45.25	51.50	2,787
CS*0500H2	IR6B6462P	8DP1-5000	428.3	-	\$62,450	\$64,500	\$65,870	\$2,080	\$2,060	\$4,550	\$1,920	\$960	\$1,350	\$8,320	\$8,320	D	146.00	90.50	51.50	3,330
CS*0600H2	IR8C7863P**	8DS1-6000	497.8	-	\$73,190	\$74,780	\$76,370	\$2,160	\$2,060	\$4,550	\$1,920	\$1,530	\$1,350	\$10,050	\$10,050	E	200.00	90.50	51.50	3,950
CS*0150M4	IR4C2397S	3DS3R17ME	144.4	-	\$21,940	\$22,550	\$23,040	\$1,850	\$1,590	\$2,890	\$1,480	\$960	\$980	\$3,770	\$3,770	B	146.00	45.25	51.50	1,834
CS*0200M4	IR4B2707P	4DA3R18ME	151.0	-	\$24,780	\$25,590	\$26,140	\$1,850	\$1,590	\$2,890	\$1,480	\$960	\$980	\$4,590	\$4,590	B	146.00	45.25	51.50	1,882
CS*0250M4	IR4B3139P	4DH3R22ME	193.5	-	\$30,120	\$30,960	\$31,610	\$1,960	\$1,590	\$2,890	\$1,480	\$960	\$980	\$5,120	\$5,120	B	146.00	45.25	51.50	2,002
CS*0300M4	IR4B3604P	4DJ3R28ME	229.8	-	\$37,310	\$38,200	\$39,000	\$2,020	\$1,590	\$2,890	\$1,480	\$960	\$980	\$5,850	\$5,850	B	146.00	45.25	51.50	2,106
CS*0350M4	IR4B3604P	4DJ3R28ME	229.8	-	\$37,310	\$38,200	\$39,000	\$2,020	\$1,590	\$2,890	\$1,480	\$960	\$980	\$5,850	\$5,850	C	200.00	45.25	51.50	2,111
CS*0400M4	IR6B5406P	6DJ3R40ME	340.6	-	\$46,460	\$47,440	\$48,440	\$2,080	\$2,060	\$4,550	\$1,920	\$1,530	\$980	\$6,550	\$6,550	C	200.00	45.25	51.50	2,820
CS*0150L2	IR4B3139P	4DL3F63KE	-	61.4	\$29,880	\$30,680	\$31,310	\$1,850	INCL	\$2,890	\$1,480	NA	\$980	\$3,770	\$3,770	A	92.00	45.25	51.50	1,639
CS*0220L2	IR4B3604P	4DT3F76KE	-	73.7	\$32,840	\$33,760	\$34,470	\$1,850	INCL	\$2,970	\$1,480	\$960	\$980	\$4,590	\$4,590	B	146.00	45.25	51.50	1,885
CS*0270L2	IR6B4709P	6DL3F93KE	-	92.9	\$38,330	\$38,210	\$39,020	\$1,850	INCL	\$2,970	\$1,480	\$960	\$980	\$5,120	\$5,120	B	146.00	45.25	51.50	2,044
CS*0300L2	IR6B5406P	6DT3F11ME	-	109.0	\$42,390	\$42,730	\$43,630	\$1,850	INCL	\$2,970	\$1,480	\$960	\$980	\$5,850	\$5,850	B	146.00	45.25	51.50	2,069
CS*0150L4	IR4B3139P	4DL3F63KE	-	71.1	\$28,590	\$28,710	\$29,300	\$1,850	INCL	\$2,890	\$1,480	NA	\$980	\$3,770	\$3,770	A	92.00	45.25	51.50	1,639
CS*0220L4	IR4B3604P	4DT3F76KE	-	86.3	\$31,570	\$31,630	\$32,310	\$1,850	INCL	\$2,970	\$1,480	\$960	\$980	\$4,590	\$4,590	B	146.00	45.25	51.50	1,890
CS*0270L4	IR6B4709P	6DL3F93KE	-	107.9	\$36,740	\$36,870	\$37,650	\$1,960	INCL	\$2,970	\$1,480	\$960	\$980	\$5,120	\$5,120	B	146.00	45.25	51.50	2,056
CS*0300L4	IR6B5406P	6DT3F11ME	-	120.3	\$40,720	\$41,610	\$42,470	\$1,960	INCL	\$2,970	\$1,480	\$960	\$980	\$5,850	\$5,850	B	146.00	45.25	51.50	2,170

Oversized	Compressor Model		Capacity @ 95°F		List Price			Optional Htd Ins Receiver	O P T I O N S					Optional 4-Year Extended Compressor Warranty		Unit size	DIMENSIONS (IN)			
			Ambiant MBH@		230V (K)	460V (M)	575V(P)		Suction Accumulator	Oil Separator	Repl Core Suct Filter	Pressure fan Cycling	Suction filter sealed	IR	Copeland Discus		L	W	H	Ship wt. (lbs)
			+25 SST	-20 SST																
CS*0101H2	IR4C1761S	3DB3R12ME	108.8	-	\$22,570	\$23,100	\$23,600	\$1,850	\$1,590	\$2,890	\$1,480	\$960	\$980	\$2,490	\$2,490	B	146.00	45.25	51.50	1,845
CS*0151H2	IR4C2397S	3DS3R17ME	143.7	-	\$23,550	\$24,150	\$24,680	\$1,960	\$1,590	\$2,890	\$1,480	\$960	\$980	\$3,770	\$3,770	B	146.00	45.25	51.50	1,945
CS*0201H2	IR4B2707P	4DA3R18ME	154.0	-	\$26,390	\$27,200	\$27,780	\$1,960	\$1,590	\$2,970	\$1,480	\$960	\$980	\$4,590	\$4,590	B	146.00	45.25	51.50	2,027
CS*0251H2	IR4B3139P	4DH3R22ME	198.9	-	\$31,670	\$32,510	\$33,210	\$1,960	\$1,590	\$2,970	\$1,480	\$1,530	\$980	\$5,120	\$5,120	C	200.00	45.25	51.50	2,448
CS*0301H2	IR4B3604P	4DJ3R28ME	234.2	-	\$39,670	\$40,570	\$41,430	\$2,020	\$1,590	\$2,970	\$1,480	\$1,530	\$980	\$5,850	\$5,850	C	200.00	45.25	51.50	2,587
CS*0351H2	IR6B4709P	6DH3R35ME	283.9	-	\$45,690	\$46,630	\$47,600	\$2,080	\$1,590	\$3,710	\$1,480	\$1,530	\$980	\$5,900	\$5,900	C	200.00	45.25	51.50	2,813
CS*0401H2	IR6B5406P	6DJ3R40ME	347.5	-	\$54,100	\$55,080	\$56,250	\$2,080	\$1,590	\$3,710	\$1,480	\$960	\$980	\$6,550	\$6,550	D	146.00	45.25	51.50	3,343
CS*0501H2	IR6B6462P	8DP1-5000	441.2	-	\$71,740	\$73,770	\$75,350	\$2,160	\$2,060	\$4,550	\$1,920	\$1,530	\$1,350	\$8,320	\$8,320	E	200.00	45.25	51.50	4,124
CS*0601H2	IR8C7863P**	8DS1-6000	514.1	-	\$87,910	\$89,510	\$91,390	\$2,260	\$2,060	\$4,550	\$1,920	\$1,530	\$1,350	\$10,050	\$10,050	E	200.00	45.25	51.50	4,367
CS*0151M4	IR4C2397S	3DS3R17ME	148.7	-	\$23,550	\$24,150	\$24,680	\$1,960	\$1,590	\$2,890	\$1,480	\$960	\$980	\$3,770	\$3,770	B	146.00	45.25	51.50	1,930
CS*0201M4	IR4B2707P	4DA3R18ME	156.8	-	\$26,390	\$27,200	\$27,780	\$1,960	\$1,590	\$2,890	\$1,480	\$960	\$980	\$4,590	\$4,590	B	146.00	45.25	51.50	1,979
CS*0251M4	IR4B3139P	4DH3R22ME	203.8	-	\$34,080	\$34,900	\$35,660	\$2,020	\$1,590	\$2,890	\$1,480	\$1,530	\$980	\$5,120	\$5,120	C	200.00	45.25	51.50	2,511
CS*0301M4	IR4B3604P	4DJ3R28ME	239.7	-	\$39,670	\$40,570	\$41,430	\$2,080	\$1,590	\$2,890	\$1,480	\$1,530	\$980	\$5,850	\$5,850	C	200.00	45.25	51.50	2,584
CS*0351M4	IR6B4709P	6DH3R35ME	304.5	-	\$49,690	\$50,620	\$51,700	\$2,080	\$1,590	\$2,970	\$1,480	\$960	\$980	\$5,900	\$5,900	D	146.00	45.25	51.50	3,099
CS*0401M4	IR6B5406P	6DJ3R40ME	354.2	-	\$50,890	\$51,890	\$52,990	\$2,160	\$2,060	\$4,550	\$1,920	\$1,530	\$980	\$6,550	\$6,550	D	146.00	45.25	51.50	3,380
CS*0151L2	IR4B3139P	4DL3F63KE	-	63.1	\$31,250	\$32,050	\$32,730	\$1,850	INCL	\$2,890	\$1,480	\$960	\$980	\$3,770	\$3,770	B	146.00	45.25	51.50	1,934
CS*0221L2	IR4B3604P	4DT3F76KE	-	74.6	\$34,440	\$35,370	\$36,110	\$1,850	INCL	\$2,970	\$1,480	\$960	\$980	\$4,590	\$4,590	B	146.00	45.25	51.50	1,947
CS*0271L2	IR6B4709P	6DL3F93KE	-	93.9	\$39,880	\$39,770	\$40,610	\$1,850	INCL	\$2,970	\$1,480	\$1,530	\$980	\$5,120	\$5,120	C	200.00	45.25	51.50	2,427
CS*0301L2	IR6B5406P	6DT3F11ME	-	111.6	\$46,350	\$46,690	\$47,690	\$1,960	INCL	\$2,970	\$1,480	\$1,530	\$980	\$5,850	\$5,850	C	200.00	45.25	51.50	2,580
CS*0151L4	IR4B3139P	4DL3F63KE	-	73.1	\$29,970	\$30,070	\$30,710	\$1,850	INCL	\$2,890	\$1,480	\$960	\$980	\$3,770	\$3,770	B	146.00	45.25	51.50	1,934
CS*0221L4	IR4B3604P	4DT3F76KE	-	88.3	\$33,170	\$33,230	\$33,940	\$1,960	INCL	\$2,970	\$1,480	\$960	\$980	\$4,590	\$4,590	B	146.00	45.25	51.50	1,987
CS*0271L4	IR6B4709P	6DL3F93KE	-	109.4	\$38,310	\$38,420	\$39,250	\$1,960	INCL	\$2,970	\$1,480	\$1,530	\$980	\$5,120	\$5,120	C	200.00	45.25	51.50	2,439
CS*0301L4	IR6B5406P	6DT3F11ME	-	123.4	\$43,080	\$43,960	\$44,880	\$2,020	INCL	\$2,970	\$1,480	\$1,530	\$980	\$5,850	\$5,850	C	200.00	45.25	51.50	2,617

*-IR, Copeland Discus Compressor

**-N/a on 230/3/60

CD* - Dual Compressor Models

Standard High Temp	Compressor Model		Capacity @ 95°F Ambient MBH@		List Price 230V(K),460 V(M)	List Price 575V(P)	Optional Htd Ins Receiver	O P T I O N S					Optional 4-Year Extended Compressor Warranty		DIMENSIONS (IN)			
			MBH@					Suction	Oil	Repl Core	Pressure fan cycling	Suction filter sealed	IR	Copeland Discus	L	W	H	Ship wtg. (lbs)
	Copeland	Discus	+25 SST	-20 SST														
Models	Ingersoll Rand	Discus						Accumulator	Separator	Suct Filter			(Price for 2 Compressors)					
CD*0100H2	(2) IR4C0770S	(2) 2DC3R53KE	43.2	-	\$24,690	\$25,220	\$3,680	\$3,160	\$5,760	\$3,090	NA	\$1,960	\$2,960	\$2,960	124.75	45.25	51.50	1,748
CD*0150H2	(2) IR4C1145S	(2) 2CD3R78KE	63.7	-	\$33,570	\$34,270	\$3,680	\$3,160	\$5,760	\$3,090	NA	\$1,960	\$3,900	\$3,900	124.75	45.25	51.50	1,839
CD*0160H2	(2) IR4C1145S	(2) 2DA3R89KE	73.8	-	\$36,080	\$36,870	\$3,680	\$3,160	\$5,760	\$3,090	\$960	\$1,960	\$3,900	\$3,900	178.75	45.25	51.50	2,378
CD*0180H2	(2) IR4C1480S	(2) 3DA3R10ME	87.8	-	\$39,890	\$40,740	\$3,680	\$3,160	\$5,760	\$3,090	\$960	\$1,960	\$4,980	\$4,980	178.75	45.25	51.50	2,533
CD*0200H2	(2) IR4C1761S	(2) 3DB3R12ME	105.4	-	\$45,070	\$46,030	\$3,680	\$3,160	\$5,760	\$3,090	\$960	\$1,960	\$4,980	\$4,980	178.75	45.25	51.50	2,660
CD*0240H2	(2) IR4C2067S	(2) 3DF3R15ME	122.4	-	\$50,610	\$51,690	\$3,680	\$3,160	\$5,760	\$3,090	\$960	\$1,960	\$5,680	\$5,680	178.75	45.25	51.50	2,725
CD*0300H2	(2) IR4C2397S	(2) 3DS3R17ME	141	-	\$53,800	\$54,940	\$3,680	\$3,160	\$5,760	\$3,090	\$1,530	\$1,960	\$7,540	\$7,540	232.75	45.25	51.50	3,115
CD*0400H2	(2) IR4B2707P	(2) 4DA3R18ME	150.8	-	\$55,540	\$56,720	\$3,680	\$3,160	\$5,930	\$3,090	\$1,530	\$1,960	\$9,180	\$9,180	232.75	45.25	51.50	3,270
CD*0500H2	(2) IR4B3139P	(2) 4DH3R22ME	192.3	-	\$64,970	\$66,350	\$3,900	\$3,160	\$5,930	\$3,090	\$1,530	\$1,960	\$10,240	\$10,240	232.75	45.25	51.50	3,509
CD*0600H2	(2) IR4B3604P	(2) 4DJ3R28ME	228.8	-	\$73,300	\$74,850	\$4,050	\$3,160	\$5,930	\$3,090	\$1,530	\$1,960	\$11,700	\$11,700	146.00	45.25	51.50	3,906
CD*0700H2	(2) IR6B4709P	(2) 6DH3R35ME	281.2	-	\$81,890	\$83,650	\$4,050	\$3,160	\$7,420	\$3,090	\$2,670	\$1,960	\$11,800	\$11,800	200.00	45.25	51.50	4,613
CD*0800H2	(2) IR6B5406P	(2) 6DJ3R40ME	340.1	-	\$92,250	\$94,200	\$4,160	\$3,160	\$7,420	\$3,090	\$2,670	\$1,960	\$13,100	\$13,100	200.00	45.25	51.50	5,062
CD*1000H2	(2) IR6B6462P	(2) 8DP1-5000	428.3	-	\$117,500	\$119,920	\$4,160	\$4,120	\$9,110	\$3,830	\$3,800	\$2,690	\$16,640	\$16,640	254.00	45.25	51.50	8,022
CD*1200H2	(2) IR8C7863P**	(2) 8DS1-6000	500.9	-	\$136,130	\$139,690	\$4,310	\$4,120	\$9,110	\$3,830	\$4,940	\$2,690	\$20,100	\$20,100	308.00	45.25	51.50	6,705
CD*0400M4	(2) IR4B2707P	(2) 4DA3R18ME	149.7	-	\$55,540	\$55,990	\$3,680	\$3,160	\$5,930	\$3,090	\$1,530	\$1,960	\$9,180	\$9,180	232.75	45.25	51.50	3,168
CD*0500M4	(2) IR4B3139P	(2) 4DH3R22ME	188.2	-	\$64,970	\$65,620	\$3,900	\$3,160	\$5,930	\$3,090	\$1,530	\$1,960	\$10,240	\$10,240	232.75	45.25	51.50	3,381
CD*0600M4	(2) IR4B3604P	(2) 4DJ3R28ME	229.9	-	\$73,300	\$74,850	\$4,050	\$3,160	\$5,930	\$3,090	\$1,530	\$1,960	\$11,700	\$11,700	146.00	45.25	51.50	3,776
CD*0700M4	(2) IR6B4709P	(2) 6DH3R35ME	280.5	-	\$81,890	\$83,650	\$4,050	\$3,160	\$7,420	\$3,090	\$2,670	\$1,960	\$11,800	\$11,800	200.00	90.50	51.50	4,319
CD*0800M4	(2) IR6B5406P	(2) 6DJ3R40ME	340.7	-	\$92,250	\$94,200	\$4,160	\$4,120	\$7,420	\$3,090	\$2,670	\$1,960	\$13,100	\$13,100	200.00	90.50	51.50	4,942
CD*0440L2	(2) IR4B3604P	(2) 4DT3F76KE	-	73.5	\$64,300	\$65,660	\$3,680	INCL	\$5,930	\$3,090	\$1,530	\$1,960	\$9,180	\$9,180	232.75	45.25	51.50	3,167
CD*0540L2	(2) IR6B4709P	(2) 6CD3F93KE	-	91.8	\$71,560	\$73,060	\$3,900	INCL	\$5,930	\$3,090	\$1,530	\$1,960	\$10,240	\$10,240	232.75	45.25	51.50	3,452
CD*0600L2	(2) IR6B5406P	(2) 6DT3F11ME	-	109	\$78,140	\$79,790	\$3,900	INCL	\$5,930	\$3,090	\$1,530	\$1,960	\$11,700	\$11,700	146.00	90.50	51.50	3,688
CD*0440L4	(2) IR4B3604P	(2) 4DT3F76KE	-	85.9	\$61,300	\$62,590	\$3,680	INCL	\$5,930	\$3,090	\$1,530	\$1,960	\$9,180	\$9,180	232.75	45.25	51.50	3,179
CD*0540L4	(2) IR6B4709P	(2) 6CD3F93KE	-	106.1	\$68,570	\$70,000	\$3,900	INCL	\$5,930	\$3,090	\$1,530	\$1,960	\$10,240	\$10,240	232.75	45.25	51.50	3,477
CD*0600L4	(2) IR6B5406P	(2) 6DT3F11ME	-	118.8	\$75,140	\$76,740	\$3,900	INCL	\$5,930	\$3,090	\$1,530	\$1,960	\$11,700	\$11,700	146.00	90.50	51.50	3,765

Oversized High Temp	Compressor Model		Capacity @ 95°F Ambient MBH@		List Price 230V(K),460V(H)	List Price 575V(P)	Optional Htd Ins Receiver	O P T I O N S					Optional 4-Year Extended Compressor Warranty		DIMENSIONS (IN)			
			MBH@					Suction	Oil	Repl Core	Pressure fan cycling	Suction filter sealed	IR	Copeland Discus	L	W	H	Ship wtg. (lbs)
	Copeland	Discus	+25 SST	-20 SST														
Models	Ingersoll Rand	Discus						Accumulator	Separator	Suct Filter			(Price for 2 Compressors)					
CD*0101H2	(2) IR4C0770S	(2) 2DC3R53KE	44.9	-	\$27,610	\$28,190	\$3,680	\$3,160	\$5,760	\$3,090	NA	\$1,960	\$2,960	\$2,960	124.75	45.25	51.50	1,812
CD*0151H2	(2) IR4C1145S	(2) 2CD3R78KE	65.8	-	\$34,930	\$35,690	\$3,680	\$3,160	\$5,760	\$3,090	\$960	\$1,960	\$3,900	\$3,900	178.75	45.25	51.50	2,371
CD*0161H2	(2) IR4C1145S	(2) 2DA3R89KE	75.2	-	\$37,690	\$38,510	\$3,680	\$3,160	\$5,760	\$3,090	\$960	\$1,960	\$3,900	\$3,900	178.75	45.25	51.50	2,440
CD*0181H2	(2) IR4C1480S	(2) 3DA3R10ME	90.6	-	\$43,100	\$44,010	\$3,680	\$3,160	\$5,760	\$3,090	\$960	\$1,960	\$4,980	\$4,980	178.75	45.25	51.50	2,729
CD*0201H2	(2) IR4C1761S	(2) 3DB3R12ME	105.4	-	\$49,020	\$50,080	\$3,680	\$3,160	\$5,760	\$3,090	\$1,530	\$1,960	\$4,980	\$4,980	232.75	45.25	51.50	3,077
CD*0241H2	(2) IR4C2067S	(2) 3DF3R15ME	108.6	-	\$52,960	\$54,090	\$3,680	\$3,160	\$5,760	\$3,090	\$1,530	\$1,960	\$5,680	\$5,680	232.75	45.25	51.50	3,079
CD*0301H2	(2) IR4C2397S	(2) 3DS3R17ME	142.2	-	\$57,000	\$58,220	\$3,900	\$3,160	\$5,760	\$3,090	\$1,530	\$1,960	\$7,540	\$7,540	232.75	45.25	51.50	3,277
CD*0401H2	(2) IR4B2707P	(2) 4DA3R18ME	154.0	-	\$59,530	\$60,810	\$3,900	\$3,160	\$5,930	\$3,090	\$1,530	\$1,960	\$9,180	\$9,180	146.00	90.50	51.50	3,617
CD*0501H2	(2) IR4B3139P	(2) 4DH3R22ME	198.9	-	\$68,390	\$69,840	\$3,900	\$3,160	\$5,930	\$3,090	\$2,670	\$1,960	\$10,240	\$10,240	200.00	90.50	51.50	4,204
CD*0601H2	(2) IR4B3604P	(2) 4DJ3R28ME	234.2	-	\$78,930	\$80,610	\$4,050	\$3,160	\$5,930	\$3,090	\$2,670	\$1,960	\$11,700	\$11,700	200.00	90.50	51.50	4,477
CD*0701H2	(2) IR6B4709P	(2) 6DH3R35ME	283.9	-	\$88,730	\$90,610	\$4,160	\$3,160	\$7,420	\$3,090	\$2,670	\$1,960	\$11,800	\$11,800	200.00	90.50	51.50	4,927
CD*0801H2	(2) IR6B5406P	(2) 6DJ3R40ME	347.5	-	\$104,990	\$107,170	\$4,160	\$3,160	\$7,420	\$3,090	\$3,800	\$1,960	\$13,100	\$13,100	254.00	90.50	51.50	5,819
CD*1001H2	(2) IR6B6462P	(2) 8DP1-5000	439.6	-	\$138,840	\$142,450	\$4,310	\$4,120	\$9,110	\$3,830	\$4,940	\$2,690	\$16,640	\$16,640	308.00	90.50	51.50	7,002
CD*1201H2	(2) IR8C7863P**	(2) 8DS1-6000	514.1	-	\$151,670	\$154,830	\$4,520	\$4,120	\$9,110	\$3,830	\$6,070	\$2,690	\$20,100	\$20,100	362.00	90.50	51.50	7,859
CD*0401M4	(2) IR4B2707P	(2) 4DA3R18ME	156.6	-	\$70,050	\$70,800	\$3,900	\$3,160	\$5,930	\$3,090	\$1,530	\$1,960	\$9,180	\$9,180	146.00	90.50	51.50	3,515
CD*0501M4	(2) IR4B3139P	(2) 4DH3R22ME	203.8	-	\$75,050	\$76,650	\$4,050	\$3,160	\$5,930	\$3,090	\$2,670	\$1,960	\$10,240	\$10,240	200.00	90.50	51.50	4,329
CD*0601M4	(2) IR4B3604P	(2) 4DJ3R28ME	239.7	-	\$78,930	\$80,610	\$4,160	\$3,160	\$5,930	\$3,090	\$2,670	\$1,960	\$11,700	\$11,700	200.00	90.50	51.50	4,474
CD*0701M4	(2) IR6B4709P	(2) 6DH3R35ME	304.5	-	\$102,480	\$104,610	\$4,160	\$3,160	\$7,420	\$3,090	\$3,800	\$1,960	\$11,800	\$11,800	254.00	90.50	51.50	5,329
CD*0801M4	(2) IR6B5406P	(2) 6DJ3R40ME	354.2	-	\$104,990	\$107,170	\$4,310	\$4,120	\$7,420	\$3,090	\$3,800	\$1,960	\$13,100	\$13,100	254.00	90.50	51.50	5,895
CD*0441L2	(2) IR4B3604P	(2) 4DT3F76KE	-	74.0	\$67,490	\$68,920	\$3,900	INCL	\$5,930	\$3,090	\$1,530	\$1,960	\$9,180	\$9,180	232.75	45.25	51.50	3,261
CD*0541L2	(2) IR6B4709P	(2) 6CD3F93KE	-	93.7	\$76,000	\$77,600	\$3,900	INCL	\$5,930	\$3,090	\$1,530	\$1,960	\$10,240	\$10,240	146.00	45.25	51.50	3,831
CD*0601L2	(2) IR6B5406P	(2) 6DT3F11ME	-	111.6	\$87,420	\$89,280	\$3,900	INCL	\$5,930	\$3,090	\$1,530	\$1,960	\$11,700	\$11,700	200.00	90.50	51.50	4,452
CD*0441L4	(2) IR4B3604P	(2) 4DT3F76KE	-	88.3	\$65,290	\$66,690	\$3,900	INCL	\$5,930	\$3,090	\$1,530	\$1,960	\$9,180	\$9,180	146.00	90.50	51.50	3,526
CD*0541L4	(2) IR6B4709P	(2) 6CD3F93KE	-	109.0	\$73,000	\$74,540	\$3,900	INCL	\$5,930	\$3,090	\$1,530	\$1,960	\$10,240	\$10,240	146.00	90.50	51.50	3,788
CD*0601L4	(2) IR6B5406P	(2) 6DT3F11ME	-	123.4	\$84,420	\$86,220	\$3,900	INCL										



CP* - Parallel Compressor Models

One refrigeration circuit with two compressors and one electrical circuit

Standard High Temp	Compressor Model		Capacity @ 95°F Ambient MBH@		List Price	230V(K),460V(M)	575V(P)	Options			Optional 4-Year Extended Compressor Warranty		Unit size	DIMENSIONS (IN)					
	Models	Ingersoll Rand	Copeland Discus	MBH@				Heated & Insulated	Receiver	Pressure fan cycling	Suction filter sealed	IR		Copeland Discus	L	W	H	Ship wt. (lbs)	
				+25 SST															-20 SST
CP*0500H2	(2) IR4B3139P	(2) 4DH3R22ME	384.6	-	\$72,000	\$73,490	\$2,080	\$1,530	\$980	\$10,240	\$10,240	H	232.75	45.25	51.50	3,536			
CP*0600H2	(2) IR4B3604P	(2) 4DJ3R28ME	457.5	-	\$80,330	\$81,990	\$2,160	\$960	\$980	\$11,700	\$11,700	I	146.00	90.50	51.50	3,968			
CP*0700H2	(2) IR6B4709P	(2) 6DH3R35ME	562.3	-	\$88,910	\$90,780	\$2,160	\$1,530	\$980	\$11,800	\$11,800	J	200.00	90.50	51.50	4,675			
CP*0800H2	(2) IR6B5406P	(2) 6DJ3R40ME	680.1	-	\$98,910	\$100,990	\$2,820	\$1,530	\$1,350	\$13,100	\$13,100	J	200.00	90.50	51.50	5,163			
CP*1000H2	(2) IR6B6462P	(2) 8DP1-5000	856.5	-	\$124,140	\$126,700	\$2,820	\$2,100	\$1,350	\$16,640	\$16,640	K	254.00	90.50	51.50	5,923			
CP*1200H2	(2) IR8C7863P**	(2) 8DS1-6000	1001.7	-	\$143,510	\$146,470	\$4,310	\$2,670	\$1,350	\$20,100	\$20,100	L	308.00	90.50	51.50	6,812			
CP*0500M4	(2) IR4B3139P	(2) 4DH3R22ME	376.3	-	\$72,000	\$73,490	\$2,080	\$1,530	\$980	\$10,240	\$10,240	H	323.75	45.25	51.50	3,410			
CP*0600M4	(2) IR4B3604P	(2) 4DJ3R28ME	459.6	-	\$80,330	\$81,990	\$2,160	\$960	\$980	\$11,700	\$11,700	I	146.00	90.50	51.50	3,833			
CP*0700M4	(2) IR6B4709P	(2) 6DH3R35ME	561.0	-	\$88,910	\$90,780	\$2,160	\$1,530	\$980	\$11,800	\$11,800	J	200.00	90.50	51.50	4,397			
CP*0800M4	(2) IR6B5406P	(2) 6DJ3R40ME	681.3	-	\$99,270	\$101,350	\$2,820	\$1,530	\$980	\$13,100	\$13,100	J	200.00	90.50	51.50	5,058			
CP*0440L2	(2) IR4B3604P	(2) 4DT3F76KE	-	146.9	\$71,310	\$72,790	\$1,900	\$1,530	\$980	\$9,180	\$9,180	H	232.75	45.25	51.50	3,164			
CP*0540L2	(2) IR4B4709P	(2) 6DL3F93KE	-	183.6	\$78,570	\$80,200	\$2,080	\$1,530	\$980	\$10,240	\$10,240	H	232.75	45.25	51.50	3,512			
CP*0600L2	(2) IR6B5406P	(2) 6DT3F11ME	-	218.0	\$84,800	\$86,570	\$2,080	\$960	\$1,350	\$11,700	\$11,700	I	146.00	90.50	51.50	3,769			
CP*0440L4	(2) IR4B3604P	(2) 4DT3F76KE	-	171.8	\$67,950	\$69,360	\$1,900	\$1,530	\$1,350	\$9,180	\$9,180	H	232.75	45.25	51.50	3,167			
CP*0540L4	(2) IR4B4709P	(2) 6DL3F93KE	-	212.1	\$75,220	\$76,780	\$2,080	\$1,530	\$1,350	\$10,240	\$10,240	H	232.75	45.25	51.50	3,453			
CP*0600L4	(2) IR6B5406P	(2) 6DT3F11ME	-	237.5	\$81,800	\$83,510	\$2,080	\$960	\$1,350	\$11,700	\$11,700	I	146.00	90.50	51.50	3,772			

Oversized High Temp	Compressor Model		Capacity @ 95°F Ambient MBH@		List Price	230V(K),460V(M)	575V(P)	Options			Extended Compressor Warranty		Unit size	DIMENSIONS (IN)					
	Models	Ingersoll Rand	Copeland Discus	MBH@				Heated & Insulated	Receiver	Pressure fan cycling	Suction filter sealed	IR		Copeland Discus	L	W	H	Ship wt. (lbs)	
				+25 SST															-20 SST
CP*0501H2	(2) IR4B3139P	(2) 4DH3R22ME	397.8	-	\$74,160	\$75,740	\$2,080	\$1,530	\$980	\$10,240	\$10,240	J	200.00	90.50	51.50	4,231			
CP*0601H2	(2) IR4B3604P	(2) 4DJ3R28ME	468.4	-	\$85,940	\$87,750	\$2,160	\$1,530	\$980	\$11,700	\$11,700	J	200.00	90.50	51.50	4,539			
CP*0701H2	(2) IR6B4709P	(2) 6DH3R35ME	567.7	-	\$95,740	\$97,740	\$2,260	\$1,530	\$980	\$11,800	\$11,800	J	200.00	90.50	51.50	4,905			
CP*0801H2	(2) IR6B5406P	(2) 6DJ3R40ME	694.9	-	\$111,650	\$113,960	\$2,820	\$2,100	\$1,350	\$13,100	\$13,100	K	254.00	90.50	51.50	5,920			
CP*1001H2	(2) IR6B6462P	(2) 8DP1-5000	879.1	-	\$146,220	\$149,220	\$4,310	\$2,670	\$1,350	\$16,640	\$16,640	L	308.00	90.50	51.50	7,109			
CP*1201H2	(2) IR8C7863P**	(2) 8DS1-6000	1028.2	-	\$159,070	\$162,330	\$4,520	\$3,240	\$1,350	\$20,100	\$20,100	M	362.00	90.50	51.50	7,966			
CP*0501M4	(2) IR4B3139P	(2) 4DH3R22ME	407.5	-	\$74,160	\$75,740	\$2,160	\$1,530	\$980	\$10,240	\$10,240	J	200.00	90.50	51.50	4,389			
CP*0601M4	(2) IR4B3604P	(2) 4DJ3R28ME	479.4	-	\$85,940	\$87,750	\$2,260	\$1,530	\$980	\$11,700	\$11,700	J	200.00	90.50	51.50	4,448			
CP*0701M4	(2) IR6B4709P	(2) 6DH3R35ME	609	-	\$96,620	\$98,610	\$2,820	\$2,100	\$1,350	\$11,800	\$11,800	K	254.00	90.50	51.50	5,412			
CP*0801M4	(2) IR6B5406P	(2) 6DJ3R40ME	708.4	-	\$111,650	\$113,960	\$2,820	\$2,100	\$1,350	\$13,100	\$13,100	K	254.00	90.50	51.50	5,816			
CP*0441L2	(2) IR4B3604P	(2) 4DT3F76KE	-	147.9	\$74,520	\$76,060	\$2,080	\$1,530	\$980	\$9,180	\$9,180	H	232.75	45.25	51.50	3,320			
CP*0541L2	(2) IR4B4709P	(2) 6DL3F93KE	-	187.3	\$83,020	\$84,740	\$2,160	\$960	\$980	\$10,240	\$10,240	I	146.00	90.50	51.50	3,823			
CP*0601L2	(2) IR6B5406P	(2) 6DT3F11ME	-	223.2	\$94,080	\$96,060	\$2,160	\$1,530	\$1,350	\$11,700	\$11,700	J	200.00	90.50	51.50	4,465			
CP*0441L4	(2) IR4B3604P	(2) 4DT3F76KE	-	176.6	\$71,950	\$73,450	\$2,080	\$960	\$1,350	\$9,180	\$9,180	I	146.00	90.50	51.50	3,509			
CP*0541L4	(2) IR4B4709P	(2) 6DL3F93KE	-	217.9	\$79,650	\$81,320	\$2,160	\$960	\$1,350	\$10,240	\$10,240	I	146.00	90.50	51.50	3,872			
CP*0601L4	(2) IR6B5406P	(2) 6DT3F11ME	-	246.8	\$91,080	\$93,000	\$2,160	\$1,530	\$1,350	\$11,700	\$11,700	J	200.00	90.50	51.50	4,566			

*-IR, Copeland Discus Compressor

**-N/a on 230/3/60



CONDENSING UNITS--RECEIVER SIZING

This document serves to define how Krack sizes condensing unit receivers and how to verify the sizing against the required system charge.

The receiver is sized (at 80% full, 90°F liquid) to handle the sum of the following:

- Winter flooding
- 100 feet of liquid line
- Liquid charge of a single evaporator (up to 1/2" OD tubing) selected at a 10°F TD

$$\text{Receiver Volume} = \text{Flooding Charge} + \text{Liquid Line} + \text{Evaporator Charge}$$

The receiver pumpdown capacity (volume) should be compared to the required system charge whenever any of the following occurs:

- Multi-Cycle evaporators are matched to one compressor
- Any Industrial evaporator is used (tubing larger than 1/2" OD)
- Liquid line is known to exceed 100 feet in length

Winter Flooding Charge

Winter flooding charge is defined as the additional refrigerant that must be added to the system to flood the condenser for winter operation. The charge can be obtained from the Condensing Unit O&I manual or from Table 4.

$$\text{Winter Flooding Charge} = \text{Winter Charge} - \text{Summer Charge}$$

Liquid Line Charge

The weight of the refrigerant in a liquid line per 100 feet is shown in Table 1.

TABLE 1	Liquid Line Refrigerant Weight During Operation					
	(Pounds per 100 lineal feet of type "L" tubing)					
Refrigerant	1/2" OD	5/8" OD	7/8" OD	1-1/8" OD	1-3/8" OD	1-5/8" OD
R-22	7.4	11.8	24.4	41.6	63.5	90
R-404a/507	6.4	10.3	21.2	36.1	55	78

Evaporator Charge

The evaporator liquid charge is estimated to be between 15% and 30% of the coil volume, with the density of the refrigerant taken at the saturated suction temperature of the coil. See Table 2 for refrigerant densities at varying temperatures.

$$\text{Evaporator Liquid Charge} = \text{Evaporator Coil Volume} \times 0.30 \times \text{Density}$$

TABLE 2	Density Table (lb/cu ft)			
	Liquid Temperature (°F)			
Refrigerant	-20°F	0°F	20°F	90°F
R-22	85.8	83.6	81.4	72.5
R-404a/507	77.3	74.9	72.3	60.4

Receiver Size and Pricing

If the receiver requires up sizing see Table 3 for receiver capacity chart and pricing.

EXAMPLE:

Verify the receiver sizing for the following matched system:

- (1) CS0300H2M Condensing Unit (10-3/4" x 48" Receiver, 128 lbs @ 80%)
- (1) PCC3L-608-4-2-DXV-ECD (7.5 cu ft coil volume)

Step 1: Determine the Winter Flooding Charge

From Table 3, or CS O&I Manual, calculate the difference in operating charge between +70°F and -20°F (adjust temperatures per the location):

$$\text{Winter Flooding Charge} = 95.3 - 53.2 = 42.1 \text{ lbs R-22}$$

Step 2: Determine the Liquid Line Charge

If the actual length is not known, use the best judgement in determining length of liquid line.

Prices, availability,
and specifications subject
to change without notice.



CONDENSING UNITS--RECEIVER SIZING

This document serves to define how Krack sizes condensing unit receivers and how to verify the sizing against the required system charge.

The receiver is sized (at 80% full, 90°F liquid) to handle the sum of the following:

- Winter flood evr
- 100 feet of liquid line
- Liquid charge of a single evaporator (up to 1/2" OD tubing) selected at a 10°F TD

Also, the liquid line should be sized based on line sizing charts for the application, not just the liquid line connection on the condensing unit. For this example 100 feet of 7/8" OD tubing is assumed:

From Table 1, 24.4 lbs of R-22

Step 3: Determine the Evaporator Charge

Evaporator coil volume is 7.5 cu ft. Multiplied by percent of coil assumed to be liquid and the density (Table 2) of the liquid refrigerant (-20°F):

$$\text{Evaporator Liquid Charge} = 7.5 \text{ cu ft} \times 0.30 \times 85.8 \text{ lb/cu ft} = 193.0 \text{ lbs R-22}$$

Step 4: Calculate the total charge required for receiver volume

$$\text{Required Charge} = 42.1 + 24.4 + 193.0 = 259.5 \text{ lbs R-22}$$

Receiver volume is 128 lbs. Therefore the standard receiver is NOT adequate. The correct receiver for the application from Table 3 is the 10-3/4" x 96" vessel.

Price Adder = "F" Recr

$$\begin{aligned} & \$2,371 \quad - \text{"D" Recvr} \quad \$1,251 \\ & = \quad \$1,120 \quad \text{List} \end{aligned}$$

Receiver	Recr Size	Receiver Capacity 80% Full		List Price	Htd & Ins List Price
		R-22	R-404a/507		
A	8-5/8 x 28	48	43	\$1,310	\$1,640
B	8-5/8 x 48	84	75	\$1,540	\$1,850
C	8-5/8 x 60	106	94	\$1,670	\$1,960
D	10-3/4 x 48	128	114	\$1,720	\$2,020
E	10-3/4 x 72	195	174	\$2,900	\$2,080
F	10-3/4 x 96	262	233	\$3,230	\$2,160
G	10-3/4 x 108	295	263	\$3,740	\$2,260
H	10-3/4 x 144	390	347	\$4,390	\$2,820

Drawing Letter	Maximum Length of Receiver
A	48"
B	108"
C	144"
D	108"
E	144"
F	48"
G	108"
H	144"
I	108"
J	144"
K	144"
L	144"
M	144"

The list price add for an OVERSIZED RECEIVER is obtained by subtracting the list price of the original receiver from the list price of the larger receiver.

The list price add to HEAT & INSULATE a receiver is the full price shown next to the corresponding receiver size.

SEE TABLE 3b FOR MAXIMUM RECEIVER SIZE PER CONDENSER LENGTH

Table 3b

Refer to condensing unit drawing letter shown on the right-hand side of each page in brochure SPCD-1104.

TABLE 4a CS* Unit Refrigerant Charge

Model	Refrigerant	REFRIGERANT CHARGE - LBS					
		Above 70°F	50°F	30°F	10°F	0°F	Below -20°F
CS*0100H2	R-22	29.1	39.8	43.6	45.9	46.8	48.4
CS*0150H2	R-22	31.6	37.3	44.8	49.0	50.6	53.1
CS*0200H2	R-22	31.6	37.3	44.8	49.0	50.6	53.1
CS*0250H2	R-22	42.4	50.7	61.9	68.2	70.5	74.2
CS*0300H2	R-22	53.2	64.2	79.0	87.4	90.4	95.3
CS*0350H2	R-22	55.7	58.6	71.9	84.0	88.5	95.4

Prices and specifications subject to change without notice.



CONDENSING UNITS--RECEIVER SIZING

This document serves to define how Krack sizes condensing unit receivers and how to verify the sizing against the required system charge.

The receiver is sized (at 80% full, 90°F liquid) to handle the sum of the following:

Winter floor evr

100 feet of liquid line

Liquid charge of a single evaporator (up to 1/2" OD tubing) selected at a 10°F TD

CS*0400H2	R-22	72.5	76.0	89.6	101.9	106.6	113.7
CS*0500H2	R-22	80.6	97.0	119.3	131.8	136.4	143.7
CS*0600H2	R-22	97.1	101.8	120.0	136.4	142.6	152.2
CS*0101H2	R-22	31.6	42.4	48.3	51.6	53.0	55.5
CS*0151H2	R-22	42.4	58.4	67.1	72.1	74.1	77.8
CS*0201H2	R-22	42.4	58.4	67.1	72.1	74.1	77.8
CS*0251H2	R-22	42.3	48.0	60.6	67.1	69.5	73.4
CS*0301H2	R-22	55.7	63.9	82.7	92.4	95.9	101.7
CS*0351H2	R-22	80.4	91.5	116.6	129.7	134.5	142.2
CS*0401H2	R-22	91.2	132.9	155.9	168.7	173.8	183.5
CS*0501H2	R-22	112.9	129.4	166.9	186.4	193.5	205.0
CS*0601H2	R-22	137.0	158.4	208.2	234.0	243.3	258.4
CS*0150L2	R-22	31.8	52.0	55.0	56.9	57.7	59.2
CS*0220L2	R-22	31.6	47.5	51.8	54.1	55.2	57.1
CS*0270L2	R-22	36.9	60.3	66.6	70.0	71.5	74.1
CS*0300L2	R-22	36.9	60.3	66.6	70.0	71.5	74.1
CS*0151L2	R-22	36.9	60.3	66.6	70.0	71.5	74.1
CS*0221L2	R-22	36.9	60.3	66.6	70.0	71.5	74.1
CS*0271L2	R-22	36.8	53.8	62.1	66.5	68.4	71.4
CS*0301L2	R-22	50.2	75.6	87.9	94.4	97.3	101.6
CS*0150M4	R-404a	27.9	33.4	40.2	44.2	45.7	48.1
CS*0200M4	R-404a	27.9	33.4	40.2	44.2	45.7	48.1
CS*0250M4	R-404a	37.4	45.4	55.6	61.5	63.6	67.1
CS*0300M4	R-404a	46.9	57.4	70.9	78.7	81.6	86.1
CS*0350M4	R-404a	42.2	45.0	53.3	60.9	63.8	68.2
CS*0400M4	R-404a	70.8	75.7	91.9	106.8	112.5	121.0
CS*0151M4	R-404a	37.4	52.1	60.2	64.9	66.8	70.3
CS*0201M4	R-404a	37.4	52.1	60.2	64.9	66.8	70.3
CS*0251M4	R-404a	49.0	57.1	74.1	83.2	86.5	91.8
CS*0301M4	R-404a	63.9	72.9	90.2	99.6	103.1	108.7
CS*0351M4	R-404a	71.0	100.2	116.3	125.7	129.4	136.4
CS*0401M4	R-404a	95.1	134.1	155.6	168.1	173.1	182.4
CS*0150L4	R-404a	29.5	43.7	47.5	50.0	50.8	52.5
CS*0220L4	R-404a	29.3	37.9	43.3	46.6	47.9	50.3
CS*0270L4	R-404a	39.5	52.1	60.2	64.9	66.8	70.3
CS*0300L4	R-404a	44.8	61.2	71.8	77.9	80.4	84.9
CS*0151L4	R-404a	29.3	42.4	46.4	48.8	49.8	51.6
CS*0221L4	R-404a	39.5	58.9	64.8	68.3	69.8	72.4
CS*0271L4	R-404a	39.4	53.1	60.9	65.2	67.1	70.0
CS*0301L4	R-404a	52.2	72.4	83.9	90.2	93.0	97.1

TABLE 4b CD* Unit Refrigerant Charge *

Model	Refrigerant	REFRIGERANT CHARGE - LBS					
		Above 70°F	50°F	30°F	10°F	0°F	Below -20°F
CD*0100H2	R-22	14.7	18.5	19.8	20.7	21.0	21.6
CD*0150H2	R-22	17.4	24.5	27.0	28.5	29.0	30.0
CD*0160H2	R-22	17.3	20.2	24.0	26.1	26.9	28.2
CD*0180H2	R-22	17.3	20.2	24.0	26.1	26.9	28.2
CD*0200H2	R-22	29.0	33.4	39.1	42.4	43.6	45.6
CD*0240H2	R-22	31.6	37.3	44.8	49.0	50.6	53.1
CD*0300H2	R-22	32.9	34.5	41.2	47.3	49.6	53.2
CD*0400H2	R-22	32.9	34.5	41.2	47.3	49.6	53.2
CD*0500H2	R-22	42.3	44.4	53.4	61.5	64.6	69.2
CD*0600H2	R-22	53.2	64.2	79.0	87.4	90.4	95.3

Discussions, availability, and specifications subject to change without notice.



CONDENSING UNITS--RECEIVER SIZING

This document serves to define how Krack sizes condensing unit receivers and how to verify the sizing against the required system charge.

The receiver is sized (at 80% full, 90°F liquid) to handle the sum of the following:

Winter floor evr

100 feet of liquid line

Liquid charge of a single evaporator (up to 1/2" OD tubing) selected at a 10°F TD

CD*0700H2	R-22	55.7	58.6	71.9	84.0	88.5	95.4
CD*0800H2	R-22	80.4	84.5	102.3	118.5	124.6	133.8
CD*1000H2	R-22	80.3	83.9	89.7	109.1	117.5	126.4
CD*1200H2	R-22	104.8	108.7	110.6	130.4	144.0	155.1
CD*0101H2	R-22	17.4	26.0	28.0	29.3	29.8	30.7
CD*0151H2	R-22	17.3	22.7	25.7	27.4	28.1	29.4
CD*0161H2	R-22	20.0	27.9	32.3	34.7	35.7	37.5
CD*0181H2	R-22	31.6	42.4	48.3	51.6	53.0	55.5
CD*0201H2	R-22	32.9	37.1	46.6	51.6	53.4	56.3
CD*0241H2	R-22	32.9	37.1	46.6	51.6	53.4	56.3
CD*0301H2	R-22	42.3	48.0	60.6	67.1	69.5	73.4
CD*0401H2	R-22	42.4	58.4	67.1	72.1	74.1	77.8
CD*0501H2	R-22	42.3	48.0	60.6	67.1	69.5	73.4
CD*0601H2	R-22	55.7	63.9	82.7	92.4	95.9	101.7
CD*0701H2	R-22	80.4	91.5	116.6	129.7	134.5	142.2
CD*0801H2	R-22	90.8	95.9	126.1	145.9	152.3	164.1
CD*1001H2	R-22	117.9	122.3	147.4	176.9	186.1	203.1
CD*1201H2	R-22	136.6	141.6	157.9	198.1	209.5	231.5
CD*0440L2	R-22	23.9	36.5	42.7	45.9	47.3	49.4
CD*0540L2	R-22	27.8	44.5	52.6	56.9	58.7	61.5
CD*0600L2	R-22	36.9	60.3	66.6	70.0	71.5	74.1
CD*0441L2	R-22	27.8	44.5	52.6	56.9	58.7	61.5
CD*0541L2	R-22	33.2	63.8	71.9	76.1	78.0	81.2
CD*0601L2	R-22	44.7	69.9	82.1	88.5	91.3	95.5
CD*0400M4	R-404a	29.0	30.9	37.1	42.7	44.9	48.1
CD*0500M4	R-404a	37.3	39.8	48.0	55.5	58.4	62.7
CD*0600M4	R-404a	46.9	57.4	70.9	78.7	81.6	86.1
CD*0700M4	R-404a	42.2	45.0	53.3	60.9	63.8	68.2
CD*0800M4	R-404a	70.8	75.7	91.9	106.8	112.5	121.0
CD*0401M4	R-404a	37.4	52.1	60.2	64.9	66.8	70.3
CD*0501M4	R-404a	49.0	51.7	74.1	83.2	86.5	91.8
CD*0601M4	R-404a	63.9	72.9	90.2	99.6	103.1	108.7
CD*0701M4	R-404a	70.7	75.8	96.5	110.4	115.0	123.4
CD*0801M4	R-404a	94.7	101.5	129.2	147.7	153.9	165.0
CD*0440L4	R-404a	30.5	33.3	41.9	46.5	48.2	51.0
CD*0540L4	R-404a	39.4	42.9	54.4	60.5	62.8	66.4
CD*0600L4	R-404a	39.5	52.1	60.2	64.9	66.8	70.3
CD*0441L4	R-404a	39.5	58.9	64.8	68.3	69.8	72.4
CD*0541L4	R-404a	44.8	70.2	78.0	82.4	84.3	87.6
CD*0601L4	R-404a	52.2	72.4	83.9	90.2	93.0	97.1

* All units have two refrigerant circuits. Refrigerant charge shown is per circuit.

TABLE 4c CP* Unit Refrigerant Charge

Model	Refrigerant	REFRIGERANT CHARGE - LBS					
		Above 70°F	50°F	30°F	10°F	0°F	Below -20°F
CP*0500H2	R-22	80.4	84.5	102.3	118.5	124.6	133.8
CP*0600H2	R-22	107.9	129.9	159.7	176.3	182.4	192.2
CP*0700H2	R-22	112.9	118.8	145.4	169.5	178.6	192.4
CP*0800H2	R-22	160.7	168.9	204.6	236.9	249.1	267.7
CP*1000H2	R-22	160.5	167.8	179.5	218.3	235.0	252.8
CP*1200H2	R-22	144.1	149.5	152.1	190.6	217.3	238.3
CP*0501H2	R-22	80.4	91.5	116.6	129.7	134.5	142.2
CP*0601H2	R-22	112.9	129.4	166.9	186.4	193.5	205.0
CP*0701H2	R-22	137.0	158.4	208.2	234.0	243.3	258.4
CP*0801H2	R-22	181.5	191.9	252.3	291.7	304.7	328.2

Prices, availability,
and specifications subject
to change without notice.



CONDENSING UNITS--RECEIVER SIZING

This document serves to define how Krack sizes condensing unit receivers and how to verify the sizing against the required system charge.

The receiver is sized (at 80% full, 90°F liquid) to handle the sum of the following:

Winter flood volume

100 feet of liquid line

Liquid charge of a single evaporator (up to 1/2" OD tubing) selected at a 10°F TD

CP*1001H2	R-22	170.3	176.7	225.6	283.6	301.5	334.3
CP*1201H2	R-22	199.4	206.8	237.9	317.1	339.3	382.1
CP*0440L2	R-22	44.7	69.9	82.1	88.5	91.3	95.5
CP*0540L2	R-22	52.6	85.9	102.1	110.5	114.2	119.7
CP*0600L2	R-22	58.3	104.5	116.8	123.3	126.2	131.2
CP*0441L2	R-22	52.6	85.9	102.1	110.5	114.2	119.7
CP*0541L2	R-22	63.4	124.5	140.6	149.1	152.8	159.1
CP*0601L2	R-22	73.9	123.6	147.9	160.4	165.9	174.1
CP*0500M4	R-404a	70.8	75.7	91.9	106.8	112.5	121.0
CP*0600M4	R-404a	95.1	116.1	143.2	158.8	164.6	173.7
CP*0700M4	R-404a	85.7	91.4	108.0	123.2	129.1	137.9
CP*0800M4	R-404a	141.6	151.4	183.9	213.6	225.0	242.1
CP*0501M4	R-404a	99.4	115.7	149.6	167.8	174.5	185.2
CP*0601M4	R-404a	106.7	123.4	157.6	175.9	182.7	193.5
CP*0701M4	R-404a	141.4	149.2	193.0	220.8	230.1	246.8
CP*0801M4	R-404a	159.6	171.6	226.1	262.5	274.6	296.3
CP*0440L4	R-404a	52.2	57.1	74.1	83.2	86.5	91.8
CP*0540L4	R-404a	75.0	81.9	104.6	116.9	121.4	128.6
CP*0600L4	R-404a	75.2	100.2	116.3	125.7	129.4	136.4
CP*0441L4	R-404a	75.2	113.7	125.6	132.4	135.4	140.5
CP*0541L4	R-404a	100.7	152.1	167.9	177.0	181.0	187.9
CP*0601L4	R-404a	105.7	146.3	169.3	150.9	187.5	195.8

****-IR or Copeland Discus Compressors***



LARGE CONDENSING UNIT OPTIONS

Defrost Kits (Mounted)

Kit	Description	List Price*
A-1	Air Defrost Timer	\$440
A-2	Air Defrost Timer, Fused Evaporator Fan Contactor	\$760
E-1	Electric Defrost Timer, 230V, 1 phase heaters only, 230V, 1 phase motors only	\$440
E-2	Electric Defrost Timer, Fused Heater Contactor up to 48A, 230V, 1 phase motors only	\$910
E-3	Electric Defrost Timer, Fused Heater Contactor up to 48A, Fused Evaporator Fan Contactor up to 12A	\$1,340
E-4	Electric Defrost Timer, Fused Heater Contactor(s) up to 144A, Fused Evaporator Fan Contactor up to 24A	\$1,850

* **Note:** For Dual (CD) units, add option per circuit (2x).
For 230V evaporators on 460V condensing units, consult factory.

Large Condensing Unit Electrical Options:

Non-Fused Disconnected (mounted)	List Price*	Fused Disconnect Shipped Loose	List Price*	
			230V (K)	460V (M)
60A	\$1,360	60A	\$1,180	\$1,290
100A	\$1,660	100A	\$1,720	\$2,370
175A	\$2,470			
200A	\$2,630	200A	\$2,140	\$2,910
400A	\$5,280	400A	\$5,340	\$7,040
600+	c/f	600+	c/f	

* **Note:** For Dual (CD) units, there is a single point power connection
Add amperage for entire unit (include evaporator and / or heater amps)
Select a single disconnect for amperage required.

OTHER OPTIONS	List Price*
115 VOLT CONTROL CIRCUIT	\$490
PHASE LOSS MONITOR	\$1,030
ANTI-SHORT CYCLE TIME DELAY RELAY	\$730
SAFE START TIME DELAY (bypass low pressure control)	\$730
CURRENT SENSING RELAY	\$730
OIL RESERVOIR (for use with oil separator)	\$2,390
LIQUID LINE SOLENOID VALVE INSTALLED (5 - 22 H.P.)	\$780
LIQUID LINE SOLENOID VALVE INSTALLED (22 - 60 H.P.)	\$1,110
GAUGE KIT (HIGH / LOW / OIL PRESSURE)	\$1,430
COMPRESSOR UNLOADING	c/f
HOT GAS BYPASS	c/f
HEAT RECLAIM VALVE	c/f
DISCHARGE LINE CHECK VALVE	c/f
ISOLATION BALL VALVES	c/f

* **Note:** For Dual (CD) units, add option per circuit (2x).

Low Noise Fan	
1x1	\$510
1x2	\$1,020
1x3	\$1,530
1x4	\$2,040
1x5	\$2,550
1x6	\$3,060
2x2	\$2,040
2x3	\$3,060
2x4	\$4,080
2x5	\$5,100
2x6	\$6,120

Access Doors	
1 fan	\$140
2x1 or 2x2	\$280
3x1 or 3x2	\$420
4x1 or 4x2	\$560
5x1 or 5x2	\$700
6x1 or 6x2	\$840